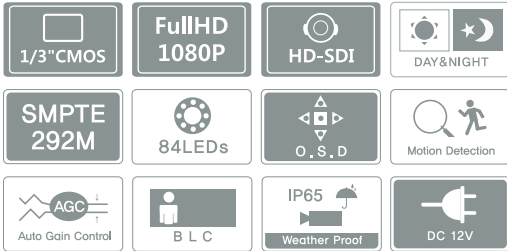


KICA-F-4000 / 2812 / 0650

2.1Mega Full HD Outdoor 84 IR Day&Night Camera



MADE IN KOREA / www.kevis.co.kr



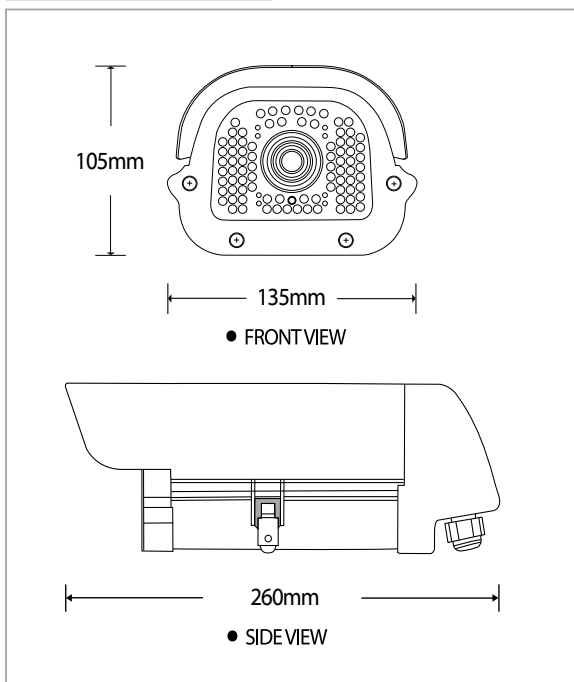
FEATURES

- 1/3" 2.1M Panasonic CMOS Image Sensor
- Full HD Resolution 1920x1080p / 30fps, 1280x720p / 60fps
- Wide Dynamic-Range Compensation(WDR)
- Adaptive Digital Noise Reduction(2D/3D)
- Privacy Masking(32 point free style)
- Motion Object Detecton
- On Screen Display
- Analog CVBS Output (NTSC,PAL,16:9,4:3)
- Built-In 84 IR LEDs
- Built-In 6mm / 3.5~16mm / 6~50mm Mega Pixels Lens
- IR Distance : About 35M~40M Outdoor
- 6mm~50mm Can Be Selectable as Optional
- Fully Protect Outside Surge

SPECIFICATION

| | | | |
|--------------------|---|----------|--------|
| Model | KICA-F-4000 / KICA-F-2812 / KICA-F-0650 | | |
| Total Pixels | 2010(H) x 1108(V) / 2,227,080 (Pixel) | | |
| Active Pixels | 1944(H) x 1092(V) / 2,122,848 (Pixel) | | |
| Scanning System | Progressive Scan | | |
| Digital Resolution | 1920x1080p(1080p/25,30fps) 1280x720p(720p/50,60fps) | | |
| Horizontal TVL | More than 1000 TVL | | |
| Min. Illumination | 0.1Lux (F1.2,50 IRE,AGC MAX) | | |
| S/N Ratio | More than 50dB (AGC Off) | | |
| SDI Output | HD-SDI | | |
| CVBS Output | 1.0Vp-p (75ohms, Composite) | | |
| LENS Mount | 6mm | 3.5~16mm | 6~50mm |
| Operating /Temp. | -10°C ~ 50°C / -20°C ~ 70°C | | |
| Operating Humidity | Under 90% Non-condensing | | |
| Power Supply | DC12V | | |
| Power Consumption | 1.300mA MAX | | |
| Dimensions (mm) | 135(W)x105(H)x260(D) | | |
| Weight | 700g | | |
| DISPLAY MODE | SDI SCALE (FULL/COMP) SDI FORMAT (1080P, 720P) SDI PFS 1080P(30P,25P) , 720P(60P,50P) CVBS (NTSC,PAL) CVBS Ratio(4:3,16:9) COLORBAR(Off/On) SHADING DET(Off/On) DEFECT DET(Off/On) | | |
| SHUTTER/AGC | AUTO/MANUAL(1/60(50) ~ 1/30,000 sec) AGC(0 ~ 11 steps) DSS / Off/On(X0~X4) FREQ(60HZ,50HZ) | | |
| AWB | AUTO / PUSHING / MANUAL | | |
| WDR/BLC/DNR | WDR(Off/On) BLC (Off/On) DNR (Off / Low / Middle / High) | | |
| DAY & NIGHT | AUTO /COLOR /B/W /EXT | | |
| PRIVACY | Off/On | | |
| MOTION DET | Off/On | | |
| CAMERA ID | Off/On | | |

DIMENSION (UNIT:mm)



MADE IN KOREA / www.kevis.co.kr