

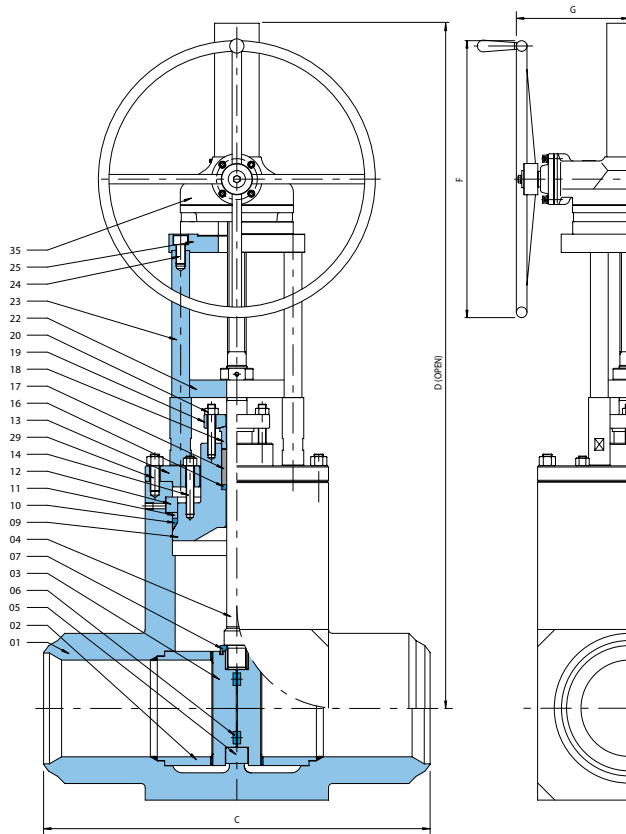
FORGED STEEL GATE VALVES, PRESSURE SEAL BONNET – FIG KJP

MAKE KEY VALVE TECHNOLOGIES LTD.
 ASME CLASS 1500 / 2500 (3500 & 4500 ALSO AVAILABLE)
 EN RATING PN250 - PN500 (B760)



STANDARDS

DESIGN	ASME B16.34 - EN 12516 - (BS-EN 10434) - API 600
BUTTWELDING ENDS	ASME B16.25 - EN 12627 - DIN-EN 9692-1
END-TO-END / FACE-TO-FACE DIM	ASME B16.10 - EN 12982 / EN 558-2
PRESSURE TESTING	ASME B16.34 - EN 12266 - API 598



MATERIALS

01 BODY	(S)A105N (SEE BELOW)
02 SEAT RING	A105 + STELLITE #12
03 PARALLEL DISC	A105 + STELLITE #6
04 STEM	A276 410
05 DISC HOLDER	13CR
06 BELLEVILLE SPRINGS	INCONEL 718
07 DISC GUIDE	13CR
09 BONNET	(S)A105N
10 GASKET	GRAPHITE/S.S
11 THRUST RING	13CR
12 SEGMENTAL RING	13CR
13 BONNET CLAMP	CARBON STEEL
14 BONNET BOLTING	A193-B7 / A194-2H
16 RING	13CR
17 STEM PACKING	GRAPHITE
18 GLAND	A276 410
19 GLAND FOLLOWER	A105
20 GLAND BOLTING	A193-B7 / A194-2H
22 POSITION INDICATOR	CARBON STEEL
23 YOKE BAR	CARBON STEEL
24 YOKE BOLT	A307-B
25 YOKE FLANGE	CARBON STEEL
29 CLAMP BOLTING	A193-B7 / A194-2H
35 GEARBOX	

FEATURES

DESIGN	CONSTRUCTION OPTIONS OPERATION ACCESSORIES	PRESSURE SEAL BONNET AND INTEGRAL BACKSEAT AUXILIARY CONNECTIONS AND/OR PROTECTION AGAINST FLUID THERMAL EXPANSION HANDWHEEL - GEARBOX (RECOMMENDED FOR ITEMS WITH *) - ELECTRIC OR PNEUMATIC ACTUATOR LIMIT SWITCHES - LOCKING DEVICE - POSITION INDICATOR - STEM COVER (OTHERS ON REQUEST)
MATERIALS	BODY / BONNET EN MATERIALS	(S)A105N - (S)A182-F11 - (S)A182-F22 - (S)A182-F91 - (S)A182-F92 (OTHERS ON REQUEST) 1.0460 - 13CrMo4.5 - 11CrMo9.10 - 1.4903 - 1.4901

MAIN DIMENSIONS IN MM

CLASS	1500						2500					
	NOM. SIZE	C	D	F	G	Cv	KG	C	D	F	G	Cv
6" (150)	559	940	500	247	1650	350	610	925	* 500	247	1100	396
8" (200)	711	1150	* 500	264	2850	520	762	1050	* 630	264	1900	680
10" (250)	864	1325	* 630	289	4400	890	914	1260	* 710	289	3050	945
12" (300)	991	1600	* 630	353	6300	1180	1041	1530	* 800	353	4300	1510
14" (350)	1067	1670	* 710	353	7550	1380	1118	1591	* 800	353	5200	1880
16" (400)	1194	1876	* 800	415	9900	2180	1245	1490	* 900	415	6700	2210
18" (450)	1346	2086	* 900	415	12600	2840	1397	1971	* 900	415	8800	2640
20" (500)	1473	2276	* 900	460	15800	3680	1473	2281	* 1000	460	10600	3880
24" (600)	1676	2450	* 1000	500	25000	5110						

HP Valves Oldenzaal BV, P.O. Box 151, 7570 AD Oldenzaal, The Netherlands
 Phone: +31 (0)541 519555, Fax: +31 (0)541 522045, E-mail: info@hpvalves.com
 Website: www.hpvalves.com