



DV42 & DV62 Series Dry Type-Stainless Steel Pressure Gauge

OUTLINE

These stainless steel pressure gauge are made of stainless steel for main parts, such as bourdon tube, shank, movement, case and ring to protect the corrosive liquid or environment.

These gauges are useful to chemical, petrochemical, refinery, power, steel mill, cement, food plants and others.

FEATURES

- The wetted parts and the case are made of stainless steel so that they are excellent in anticorrosion and environmental resistance.
- By equipping a blowout disk, the effect of temperature change on accuracy is reduced, and breakage of glass is prevented in case the bourdon tube bursts.

* In case of selecting pressure gauge, choose the pressure range which can be used in between 30~65% of full scale, so that the gauge give its full capacity.

* Also should be confirmed whether the wetted parts material is suitable for the fluid or not.

SPECIFICATION

• Model : DV42 & DV62 Series (Dry type)

• Fluid : Gas or Liquid

• Size :
100 Dia. (DV42 Series)
150 Dia. (DV62 Series)

• Mounting :
Stem ----- A type
Surface ----- B type
Direct ----- D type (Back mounting)
Panel ----- BD type (Mounting clamp)

• Connection :
1/4"PF, 3/8"PF, 1/2"PF
1/4"PT, 3/8"PT, 1/2"PT
1/4"NPT, 3/8"NPT, 1/2"NPT
* For other connection, please contact us.

• Wetted parts materials :
Bourdon tube ----- 316SS
Socket (Shank) ----- 316SS, 304SS (150 Dia. only)

• Case and Cover material :
304SS, 316SS (316SS is only request)

• Protection : IP43

• Pressure range :
0 ~ 0.1 → 0 ~ 100 MPa
-0.1 ~ 0 → -0.1 ~ 2 MPa

• Accuracy :
±1.0% F.S. (Pressure & Vacuum)
±1.5% F.S. (Compound)

• Operating temperature :
Ambient : -5 ~ 40°C
Fluid : -20 ~ 80°C

• Window :
Safety glass

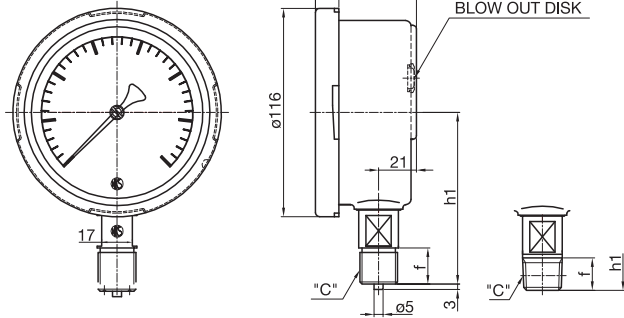
• Blowout disk :
When an emergency, bourdon tube exploded, it open up internal-pressure from blowout disk, and blowout disk prevents puncture of window.
Note : To keep normal function, please take a space behind of gauge at least 10mm when installing.
Don't process or stop up the blowout disk.

• Dial scale specified : (Option)
Capacity scale, Dual scale, Printed words, Colored circle.

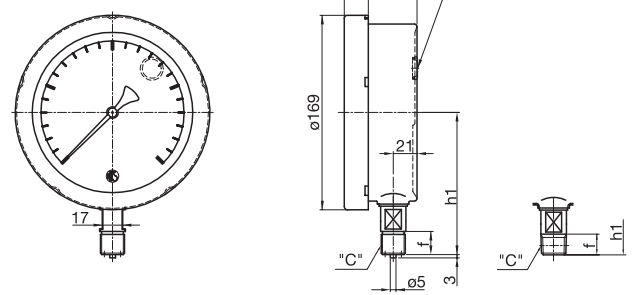
• Weight : 100 Dia. Approx. 0.75kg
150 Dia. Approx. 1.2kg

Outline dimension & Mounting type (DV42 & DV62 Series)

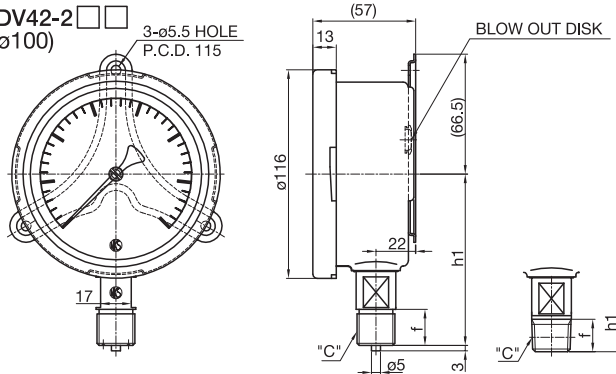
DV42-1 □ □
(ø100)



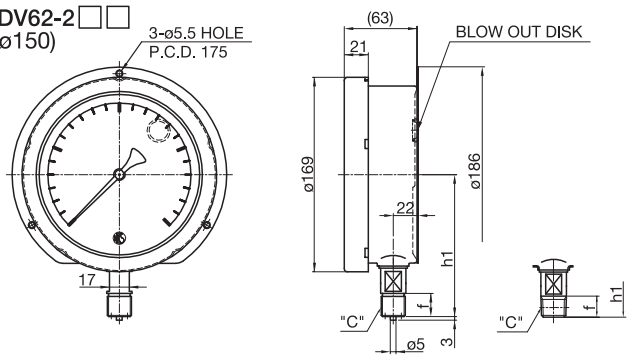
DV62-1 □ □
(ø150)



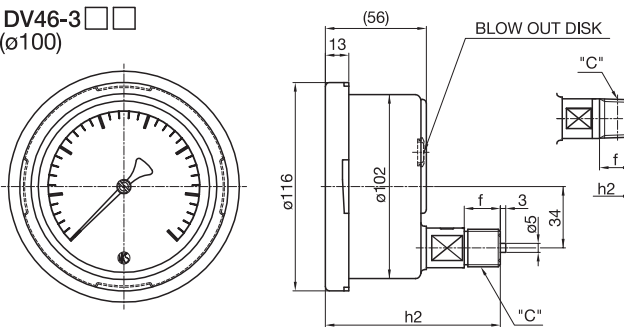
DV42-2 □ □
(ø100)



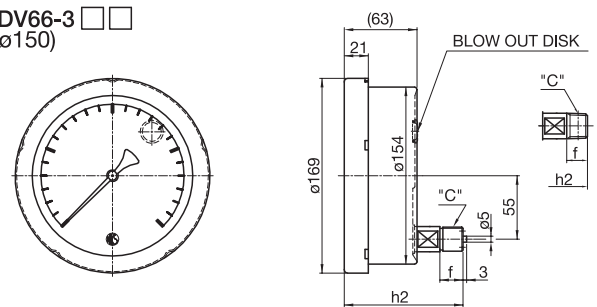
DV62-2 □ □
(ø150)



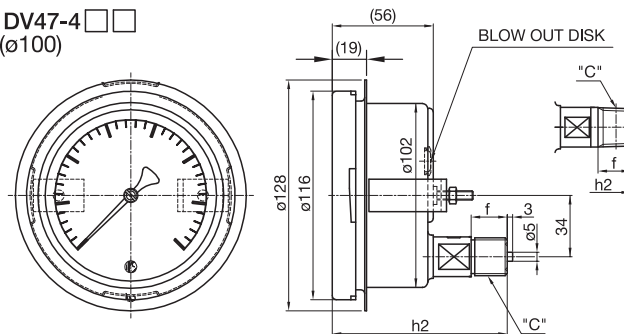
DV46-3 □ □
(ø100)



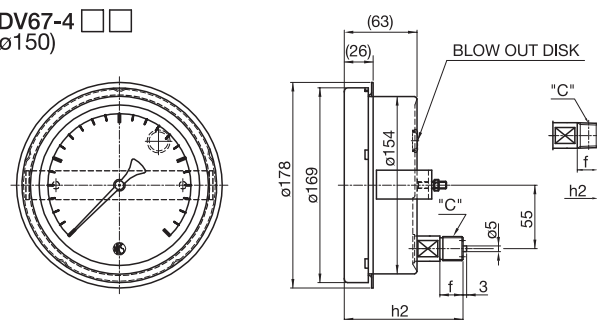
DV66-3 □ □
(ø150)



DV47-4 □ □
(ø100)



DV67-4 □ □
(ø150)



C	f	h1	h2	Appli.
PF1/4	16	92	94	DV42 DV46 DV47 (ø100)
PF3/8	18	94	96	
PF1/2	20	95	97	
PT1/4	14	92	94	
PT3/8	16	94	96	
PT1/2	18	96	98	
NPT1/4	14	92	94	
NPT3/8	16	94	96	
NPT1/2	18	96	98	

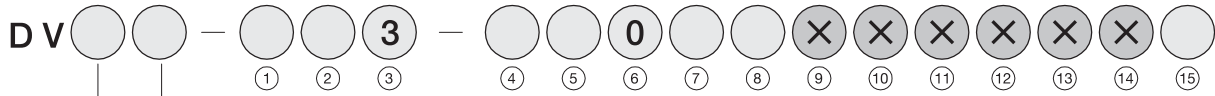
C	f	h1	h2	Appli.
PF1/4	16	119	101	DV62 DV66 DV67 (ø150)
PF3/8	18	121	103	
PF1/2	20	123	105	
PT1/4	14	116	101	
PT3/8	16	118	103	
PT1/2	18	120	105	
NPT1/4	14	116	101	
NPT3/8	16	118	103	
NPT1/2	18	120	105	

Available pressure range table (DV42 & DV62 Series)

Division	Scale (MPa)	Min. graduation	Std. accuracy (±% of F.S.)	Order code
Pressure range	0 ~ 0.05	0.001	1.0	A
	0 ~ 0.1	0.002	1.0	B
	0 ~ 0.2	0.005	1.0	C
	0 ~ 0.3	0.01	1.0	D
	0 ~ 0.4	0.01	1.0	E
	0 ~ 0.5	0.01	1.0	F
	0 ~ 0.6	0.02	1.0	G
	0 ~ 1	0.02	1.0	H
	0 ~ 1.5	0.05	1.0	I
	0 ~ 2	0.05	1.0	J
	0 ~ 2.5	0.05	1.0	K
	0 ~ 3.5	0.1	1.0	L
	0 ~ 5	0.1	1.0	M
	0 ~ 7	0.2	1.0	N
	0 ~ 10	0.2	1.0	O
	0 ~ 15	0.5	1.0	P
	0 ~ 25	0.5	1.0	Q
	0 ~ 35	1	1.0	R
	0 ~ 50	1	1.0	S
	0 ~ 70	2	1.0	T
0 ~ 100	2	1.0	U	
Vacuum range	-0.1 ~ 0	0.002	1.0	V
Compound range	-0.1 ~ 0.1	0.005	1.5	1
	-0.1 ~ 0.2	0.01	1.5	2
	-0.1 ~ 0.3	0.01	1.5	3
	-0.1 ~ 0.4	0.01	1.5	4
	-0.1 ~ 0.5	0.02	1.5	5
	-0.1 ~ 0.6	0.02	1.5	6
	-0.1 ~ 1	0.02	1.5	7
	-0.1 ~ 1.5	0.05	1.5	8
	-0.1 ~ 2	0.05	1.5	9

Model number configuration (DV42 & DV62 Series)

* For ordering, Please specify the model number and each spec.



DV : DRY TYPE

Model		Selective spec.		Option
Dial size	4	ø100		
	6	ø150		
Type	2	Bottom connection (Wall mounting bracket)		
	6	Back connection		
	7	Back connection (Panel mounting bracket)		
① Type of mounting	1	A type		
	2	B type		
	3	D type		
	4	BD type		
② Type of connection	1	NPT3/8		
	2	PF1/4		
	3	PF3/8		
	4	PF1/2		
	5	NPT1/4		
	6	NPT1/2		
	7	PT1/4		
	8	PT3/8		
	9	PT1/2		
	0	Other		
③ Socket material	2	304SS (150 Dia. only)		
	3	316SS		
	0	Other		
④ Range	A	Refer to range table		
	9			
⑤ Accuracy	0	±1.5% of F.S. (Compound range)		
	1	±1.0% of F.S. (Pressure & Vacuum range)		
⑥ Pointer	0	Standard		
⑦ Glass	0	Standard		
	1	Nil		
	2	Other		
⑧ Treatment	1	Use no oil		
	2	Nil		
	0	Other		
⑮ Document	0	Nil		
	1	Required		