



GV42 & GV62 Series Liquid Filled Type-Stainless Steel Pressure Gauge

OUTLINE

This is a gauge exclusive use exposed to vibration. It's interior is filled with liquid, preventing vibration of moving parts and wear of interior linkage mechanism, and making maintenance work easier.

FEATURES

- The wetted parts and the case are made of stainless steel so that they are excellent in anticorrosion and environmental resistance.
- By equipping a blowout disk, the effect of temperature change on accuracy is reduced, and breakage of glass is prevented in case the bourdon tube bursts.

- * In case of selecting pressure gauge, choose the pressure range which can be used in between 30~65% of full scale, so that the gauge give its full capacity.
- * Also should be confirmed whether the wetted parts material is suitable for the fluid or not.

SPECIFICATION

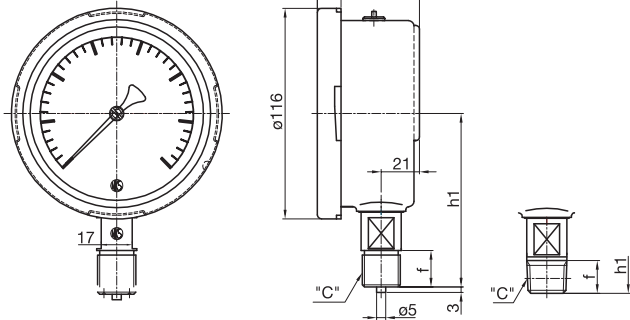
- **Model :** GV42 & GV62 Series (Liquid Filled type)
- **Fluid :** Gas or Liquid
- **Size :** 100 Dia. (GV42 Series)
150 Dia. (GV62 Series)
- **Mounting :**
 - Stem ----- A type
 - Surface ----- B type (Wall mounting bracket)
 - Direct ----- D type (Back mounting)
 - Panel ----- BD type (Mounting clamp)
- **Connection :**

1/4"PF,	3/8"PF,	1/2"PF
1/4"PT,	3/8"PT,	1/2"PT
1/4"NPT,	3/8"NPT,	1/2"NPT

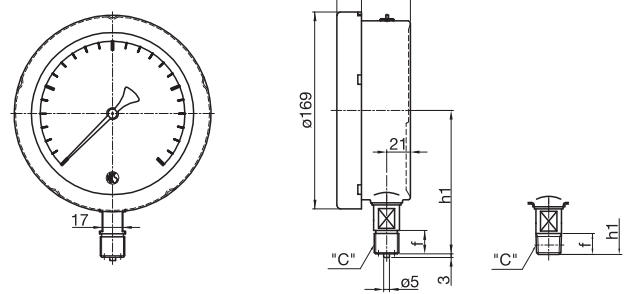
* For other connection, please contact us.
- **Wetted parts materials :**
 - Bourdon tube ----- 316SS
 - Socket (Shank) ----- 316SS, 304SS (150 Dia. only)
- **Case and Cover material :**
304SS, 316SS (316SS is only request)
- **Protection :** IP65
- **Pressure range :**
 - 0 ~ 0.1 → 0 ~ 100 MPa
 - 0.1 ~ 0 → -0.1 ~ 2 MPa
- **Accuracy :**
 - ±1.0% F.S. (Pressure & Vacuum)
 - ±1.5% F.S. (Compound)
- **Operating temperature :**
 - Ambient : -5 ~ 40°C
 - Fluid : -20 ~ 80°C
- **Window :**
Safety glass
- **Filling liquid :**
Silicon oil (only GV type)
- **Caution of operation :**
It is established the air circulation hole in case upper part to prevent indication error by ambient temperature change about pressure gauge/ compound pressure gauge/ vacuum gauge less than maximum pressure 1MPa. Do up black plug of relief sharp cut.
And installation posture limit it to vertical installation up.
- **Weight :** 100 Dia. Approx. 1.06kg
150 Dia. Approx. 2.1kg

Outline dimension & Mounting type (GV42 & GV62 Series)

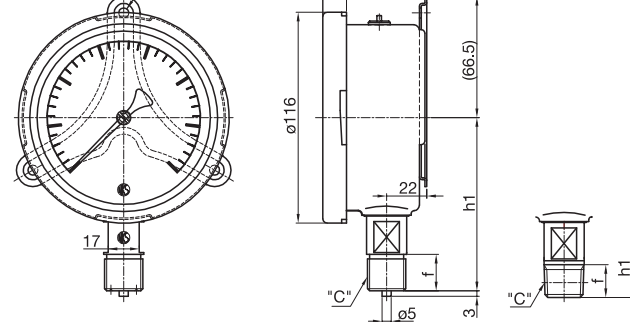
GV42-1 □ □
(ø100)



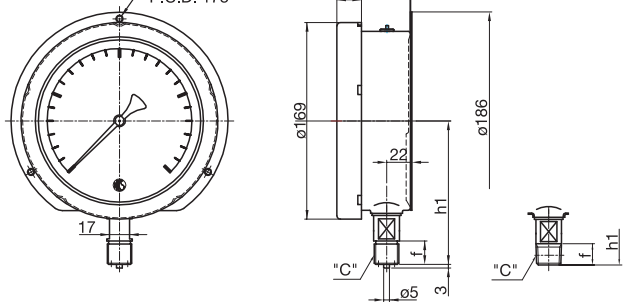
GV62-1 □ □
(ø150)



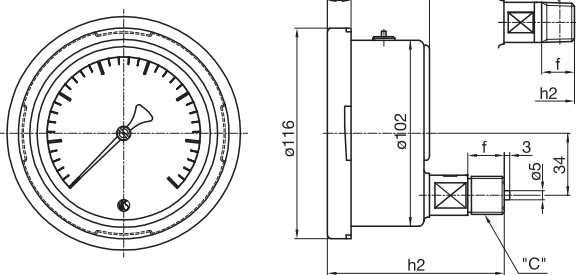
GV42-2 □ □ 3-ø5.5 HOLE
(ø100) P.C.D. 115



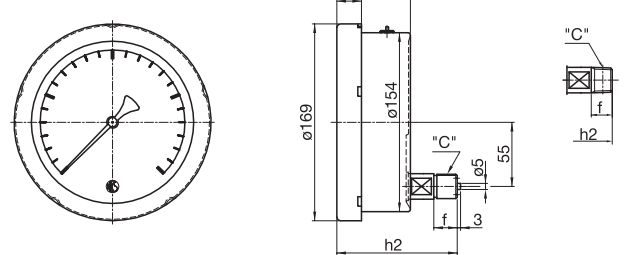
GV62-2 □ □ 3-ø5.5 HOLE
(ø150) P.C.D. 175



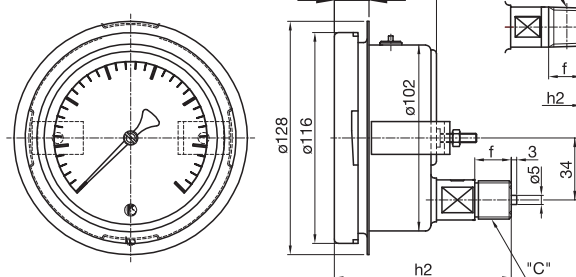
GV46-3 □ □
(ø100)



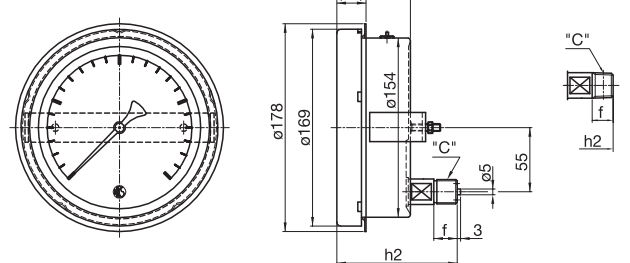
GV66-3 □ □
(ø150)



GV47-4 □ □
(ø100)



GV67-4 □ □
(ø150)



C	f	h1	h2	Appli.
PF1/4	16	92	94	GV42 GV46 GV47 (ø100)
PF3/8	18	94	96	
PF1/2	20	95	97	
PT1/4	14	92	94	
PT3/8	16	94	96	
PT1/2	18	96	98	
NPT1/4	14	92	94	
NPT3/8	16	94	96	
NPT1/2	18	96	98	

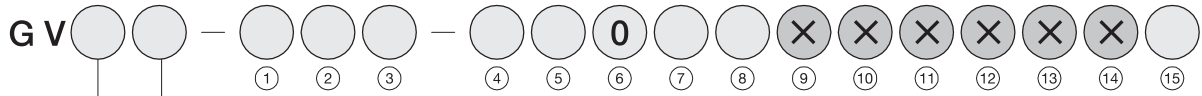
C	f	h1	h2	Appli.
PF1/4	16	119	101	GV62 GV66 GV67 (ø150)
PF3/8	18	121	103	
PF1/2	20	123	105	
PT1/4	14	116	101	
PT3/8	16	118	103	
PT1/2	18	120	105	
NPT1/4	14	116	101	
NPT3/8	16	118	103	
NPT1/2	18	120	105	

Available pressure range table (GV42 & GV62 Series)

Division	Scale (MPa)	Min. graduation	Std. accuracy (±% of F.S.)	Order code
Pressure range	0 ~ 0.05	0.001	1.0	A
	0 ~ 0.1	0.002	1.0	B
	0 ~ 0.2	0.005	1.0	C
	0 ~ 0.3	0.01	1.0	D
	0 ~ 0.4	0.01	1.0	E
	0 ~ 0.5	0.01	1.0	F
	0 ~ 0.6	0.02	1.0	G
	0 ~ 1	0.02	1.0	H
	0 ~ 1.5	0.05	1.0	I
	0 ~ 2	0.05	1.0	J
	0 ~ 2.5	0.05	1.0	K
	0 ~ 3.5	0.1	1.0	L
	0 ~ 5	0.1	1.0	M
	0 ~ 7	0.2	1.0	N
	0 ~ 10	0.2	1.0	O
	0 ~ 15	0.5	1.0	P
	0 ~ 25	0.5	1.0	Q
	0 ~ 35	1	1.0	R
	0 ~ 50	1	1.0	S
	0 ~ 70	2	1.0	T
0 ~ 100	2	1.0	U	
Vacuum range	-0.1 ~ 0	0.002	1.0	V
Compound range	-0.1 ~ 0.1	0.005	1.5	1
	-0.1 ~ 0.2	0.01	1.5	2
	-0.1 ~ 0.3	0.01	1.5	3
	-0.1 ~ 0.4	0.01	1.5	4
	-0.1 ~ 0.5	0.02	1.5	5
	-0.1 ~ 0.6	0.02	1.5	6
	-0.1 ~ 1	0.02	1.5	7
	-0.1 ~ 1.5	0.05	1.5	8
	-0.1 ~ 2	0.05	1.5	9

Model number configuration (GV42 & GV62 Series)

* For ordering, Please specify the model number and each spec.



GV : OIL FILLED TYPE

Model		Selective spec.	Option
Dial size	4	ø100	
	6	ø150	
Type	2	Bottom connection (Wall mounting bracket)	
	6	Back connection	
	7	Back connection (Panel mounting bracket)	
① Type of mounting	1	A type	
	2	B type	
	3	D type	
	4	BD type	
② Type of connection	1	NPT3/8	
	2	PF1/4	
	3	PF3/8	
	4	PF1/2	
	5	NPT1/4	
	6	NPT1/2	
	7	PT1/4	
	8	PT3/8	
	9	PT1/2	
	0	Other	
③ Socket material	2	304SS (150 Dia. only)	
	3	316SS	
	0	Other	
④ Range	A	Refer to range table	
	9		
⑤ Accuracy	0	±1.5% F.S. (Compound range)	
	1	±1.0% F.S. (Pressure & Vacuum range)	
⑥ Pointer	0	Standard	
⑦ Glass	0	Standard	
	1	Nil	
	2	Other	
⑧ Treatment	1	Use no oil	
	2	Nil	
	0	Other	
⑮ Document	0	Nil	
	1	Required	