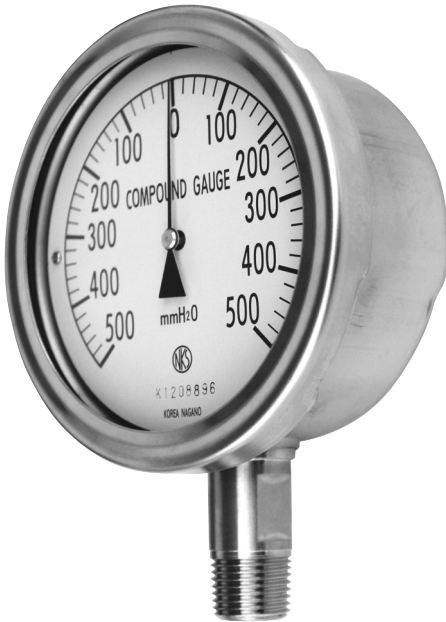


## SL10·46·47 & SL62 Series Low Pressure Gauge



### OUTLINE

This pressure gauge measure a low pressure which Bourdon tube type pressure gauge cannot measure, not only directly measuring a pressure but also measuring capacity quantity and liquid depth in a tank. However, measuring liquid entering into a pressure element causes an error of performance. So, it is requested a medium like air according to an air purging method be applied.

### FEATURES

- As a hermetic case is applied, pressure measuring can performed without the effect of dust, etc.
- Any size (in graduations) of pressure gauge can be selected, making reading easier.
- This gauges is simple in construction, making measuring and maintenance easier.

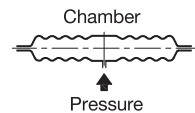
\* In case of selecting pressure gauge, choose the pressure range which can be used in between 30~65% of full scale, so that the gauge give its full capacity.  
\* Also should be confirmed weather the wetted parts material is suit able for the fluid or not.

### CONSTRUCTION

The displacements of pressure elements, either being chamber type, are applied to measure the pressure. The displacements being magnified by the amplifying mechanism with the build-in precision movement are transmitted to the pointer.

#### Chamber type

This type is a fixed two corrugated metallic discs and uses the displacements by being pressurized inside as is shown below.



### SPECIFICATION

• Model : SL10·46·47 & SL62 Series

• Fluid : Gas

• Size :  
100 Dia. (SL10·46·47 Series)  
150 Dia. (SL62 Series)

• Mounting :  
Stem ----- A type  
Surface ----- B type  
Back ----- D type  
Panel ----- BD type

• Connection :  
1/4"PF, 3/8"PF, 1/2"PF  
1/4"PT, 3/8"PT, 1/2"PT  
1/4"NPT, 3/8"NPT, 1/2"NPT  
\* For other connection, please contact us.

• Case of protection : IP43

• Pressure element & materials :  
Chamber, 316LSS

• Case & Cover material :  
304SS, 316S (316SS is a only request)

• Pressure range :  
0 ~ 200 → 0 ~ 2500 mmH<sub>2</sub>O

• Accuracy :  
±2.0% F.S.

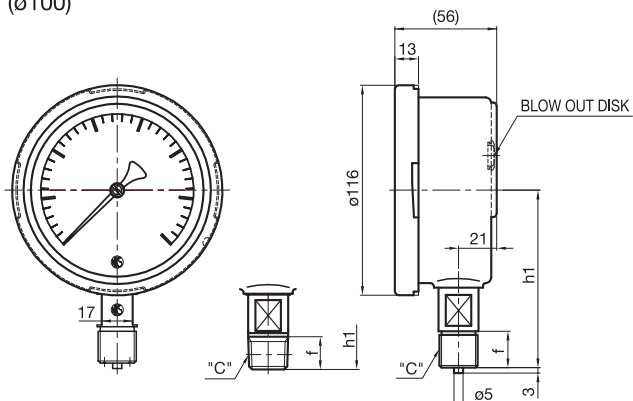
• Operating temperature :  
-5 ~ 40°C

• Window :  
Glass, Safety glass

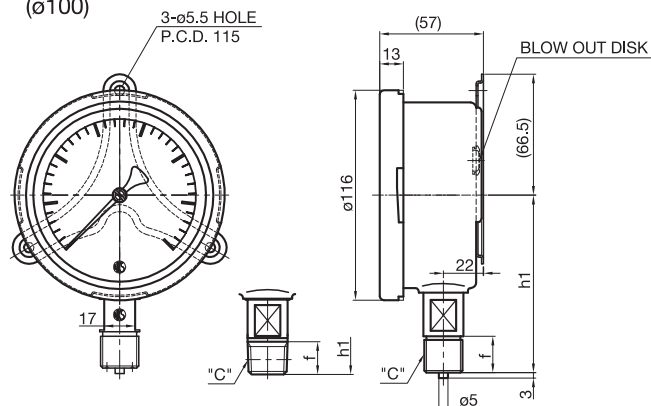
• Weight : 100 Dia. Approx. 0.64kg  
150 Dia. Approx. 1.2kg

### Outline dimension & Mounting type (SL10·46·47 & SL62 Series)

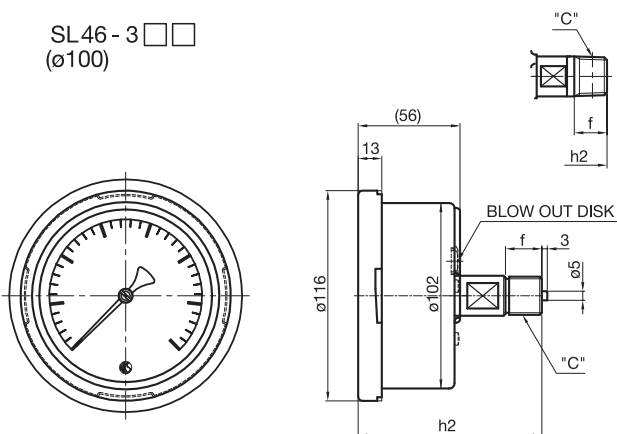
SL10 - 1 □□  
(ø100)



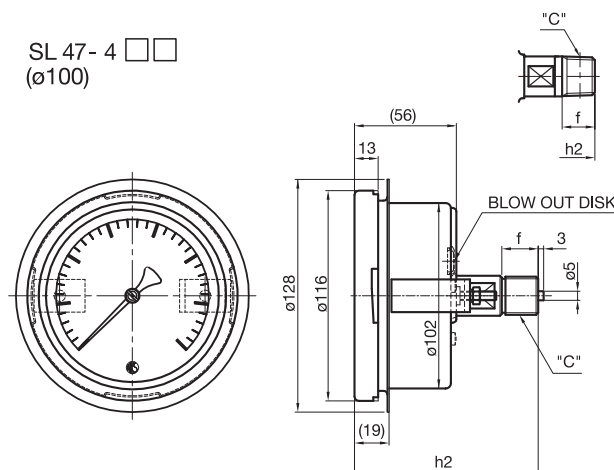
SL10 - 2 □□  
(ø100)



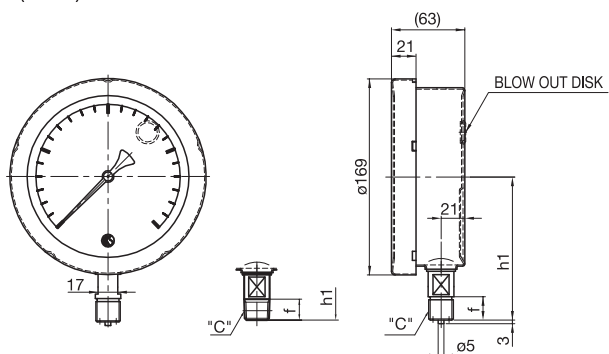
SL46 - 3 □□  
(ø100)



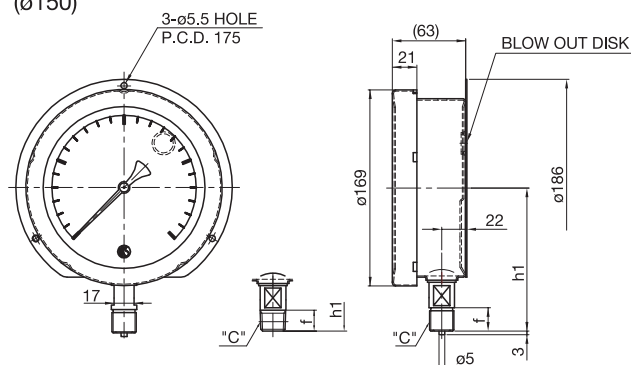
SL 47 - 4 □□  
(ø100)



SL62 - 1 □□  
(ø150)



SL62 - 2 □□  
(ø150)



C	f	h <sub>1</sub>	h <sub>2</sub>	Appli.
PF1/4	16	92	94	SL10,46,47 (ø100)
PF3/8	18	94	96	
PF1/2	20	96	98	
(N)PT1/4	14	90	92	
(N)PT3/8	16	92	94	
(N)PT1/2	18	94	96	

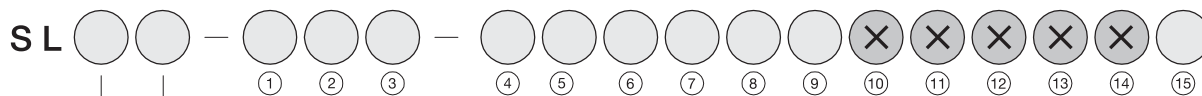
C	f	h <sub>1</sub>	Appli.
PF1/4	16	97	SL62 (ø150)
PF3/8	18	99	
PF1/2	20	101	
(N)PT1/4	14	95	
(N)PT3/8	16	97	
(N)PT1/2	18	99	

## Available pressure range table (SL10 · 46 · 47 &amp; SL62 Series)

Division	Scale (kPa)	Min. graduation (kPa)	Std. accuracy (±% of F.S.)	Order code
Pressure range	0 ~ 2	0.05	2.0	A
	0 ~ 3	0.1	2.0	B
	0 ~ 4	0.1	2.0	C
	0 ~ 5	0.1	2.0	D
	0 ~ 10	0.2	2.0	E
	0 ~ 15	0.5	2.0	F
	0 ~ 20	0.5	2.0	G
	0 ~ 25	0.5	2.0	H
Vacuum range	-2 ~ 0	0.05	2.0	I
	-3 ~ 0	0.1	2.0	J
	-4 ~ 0	0.1	2.0	K
	-5 ~ 0	0.1	2.0	L
	-10 ~ 0	0.2	2.0	M
	-15 ~ 0	0.5	2.0	N
Compound range	-1 ~ 1	0.5	2.0	O
	-2 ~ 2	0.5	2.0	P
	-3 ~ 3	0.5	2.0	Q
	-5 ~ 5	0.5	2.0	R
	-10 ~ 10	0.5	2.0	S
	-15 ~ 15	0.5	2.0	T

## Model number configuration (SL10·46·47 & SL62 Series)

\* For ordering, Please specify the model number and each spec.



Model		Selective spec.	Option
Dial size	10	ø100 Bottom connection (Wall mounting)	
	46	ø100 Back connection	
	47	ø100 Back connection with mounting bracket	
	62	ø150 Bottom connection (Wall mounting)	
① Type of mounting	1	A type (Bottom connection)	
	2	B type (Wall mounting bottom connection)	
	3	D type (Back connection)	
	4	BD type (Mounting clamp)	
② Type of connection	1	NPT1/4	
	2	PF1/4	
	3	PF3/8	
	4	PF1/2	
	5	NPT3/8	
	6	NPT1/2	
	7	PT1/4	
	8	PT3/8	
	9	PT1/2	
	0	Other	
③ Element material	3	316LSS	
	0	Other	
④ Range	A	Refer to range table	
	T		
⑤ Accuracy	0	±2.0% F.S.	
	1	Other	
⑥ Pointer	0	Standard	
	1	Other	
⑦ Glass	0	Standard (Glass)	
	1	Safety glass	
	2	Other	
⑧ Treatment	0	Nil	
	1	Use no oil	
⑨ Option	0	Nil	
	1	Please specify your requirement Dial scale specified, Case finishing.	
⑮ Document	0	Nil	
	1	Required	