

DS95 & DS96 Differential Pressure Gauge

OUTLINE

This is a case and cover is use for stainless steel material type compact differential pressure gauge, to checked the pressure differential (differential) between two points. This pressure gauge can also be used for measuring liquid level and flow rate.

FEATURES

- Pressure piping can be connected to either upper side of this pressure gauge, making the piping work easier.
- Certified pressure gauges complying with the High Pressure Gas Control Law are also available. (option) (however, they cannot be applied to poisonous gas)

* The base pressure refers to the pressure to be used as the basis out of pressure at two points, or a pressure with a small fluctuation.
One side pressure tight means the maximum differential pressure.

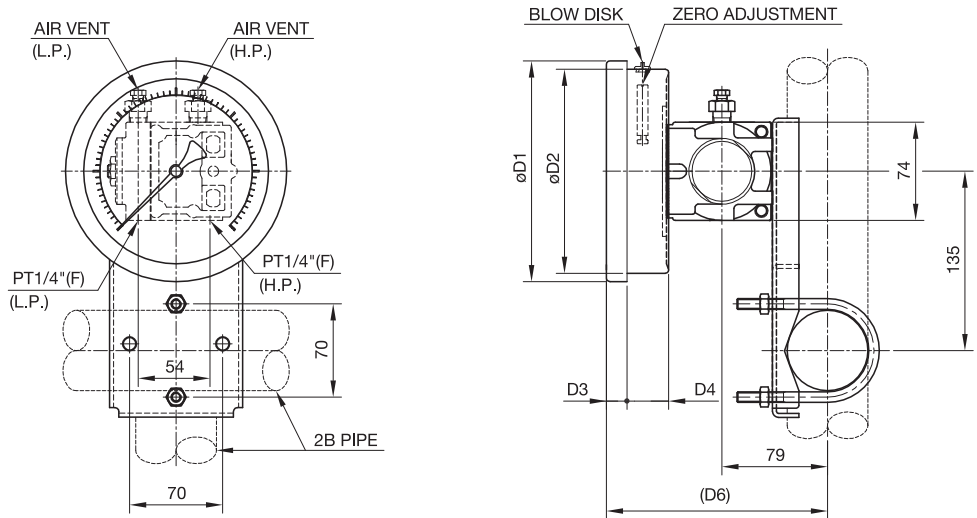
SPECIFICATION

- **Model :** DS95 & DS96 Series
(Stainless steel type Differential Pressure Gauge)
- **Fluid :**
Gas or Liquid
- **Size :**
100 Dia. (DS95)
150 Dia. (DS96)
- **Mounting :**
2B pipe mounting bracket
Wall mounting bracket
- **Connection :**
1/4"PT(F), 1/4"NPT(F)
* For other connection, please contact us.
- **Wetted parts material :**
Housing (Body) ----- 316SS
Bellows ----- 316LSS
Gasket ----- NBR
- **Case and Cover material :**
304SS (DS95, DS96)
316SS (DS95, DS96) : (Option)
- **Case of Protection :** IP56
- **Differential pressure range :**
0 ~ 5 kPa → 0 ~ 2 MPa
- **Accuracy :**
±1.5% F.S.
±1.0% F.S. (Option)
- **Base pressure :**
0 ~ 5 MPa
- **One side pressure tight :**
0.2 ~ 1.2 MPa
(Depends on the differential pressure range.)
- **Operating temperature :**
Ambient : -5 ~ 40°C
Fluid : -20 ~ 80°C
- **Window :**
Safety glass
- **Dial scale specified :** (Option)
Printed words, Colored circle, Customer's logo
- **Weight :**
100 Dia. Approx. 3.35kg
105 Dia. Approx. 3.6kg
- **Valve-manifold :** (Option)
Three-way valve manifold which combined the stop valve for high and low pressure and stop valve. This valve manifold is suitable for checking zero point or zero adjustment during operation and also available to prevent excess differential pressure or reversal differential pressure.

Outline dimension & Mounting type (DS95 & DS96 Series)

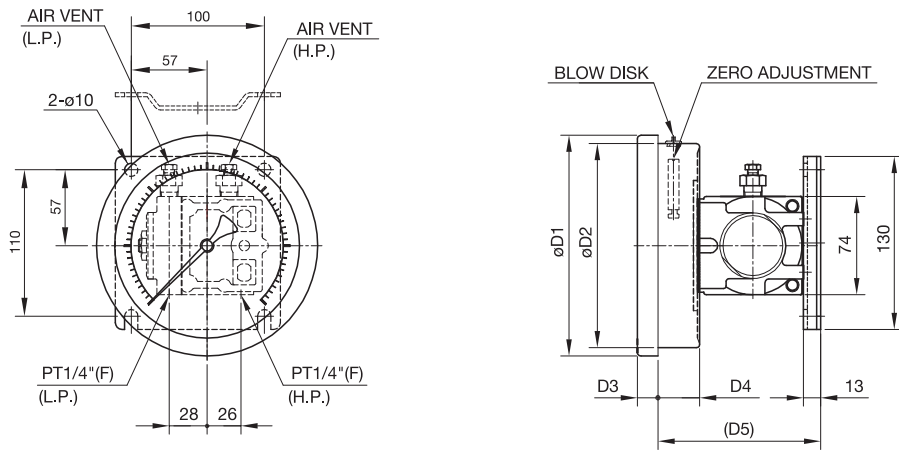
DS95-173 (ø100)
DS96-173 (ø150)

* 2B PIPE MOUNTING



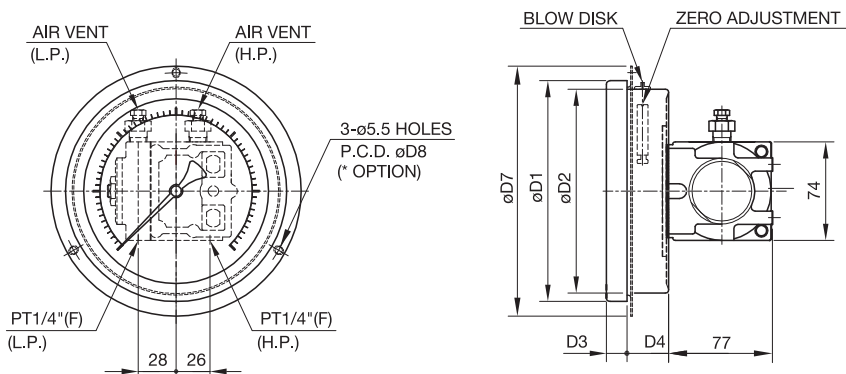
DS95-273 (ø100)
DS96-273 (ø150)

* WALL MOUNTING



DS95-373 (ø100)
DS96-373 (ø150)

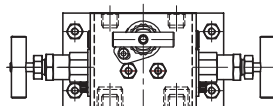
* PANEL MOUNTING



* CASE & COVER : 304SS

* Valve-manifold : (Option)

MODEL NO.	D1	D2	D3	D4	D5	D6	D7	D8
DS95	116	102	13	38	125	165	124	124
DS96	168	153.4	17	41	125	172	188	178



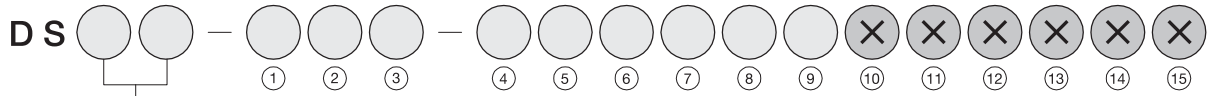
* As for connection of differential pressure gauge and Valve-manifold, FJ92-001(2 pieces) is necessary.

Available pressure range table (DS95 & DS96 Series)

Division	Scale range (kPa)	Min. graduation (kPa)	One side pressure tight	Order code
Differential pressure range	0 ~ 5	0.1	0.2 MPa	A
	0 ~ 7	0.2	0.2 MPa	B
	0 ~ 10	0.2	0.2 MPa	C
	0 ~ 15	0.5	0.2 MPa	D
	0 ~ 20	0.5	0.2 MPa	E
	0 ~ 25	1	0.4 MPa	F
	0 ~ 30	1	0.4 MPa	G
	0 ~ 40	1	0.4 MPa	H
	0 ~ 50	1	0.4 MPa	I
	0 ~ 70	2	0.4 MPa	J
	0 ~ 100	2	0.4 MPa	K
	0 ~ 200	5	1.2 MPa	L
	0 ~ 300	10	1.2 MPa	M
	0 ~ 400	10	1.2 MPa	N
	0 ~ 600	20	1.2 MPa	O
	0 ~ 1 MPa	0.02 MPa	1.2 MPa	P
	0 ~ 2 MPa	0.02 MPa	1.2 MPa	Q

Model number configuration (DS95 & DS96 Series)

* For ordering, Please specify the model number and each spec.



Model	Selective spec.		Option
Case & Cover mat'l	DS	304SS, 316SS (Option)	
Model	95	100 Dia.	
	96	150 Dia.	
① Installation system	1	2B Pipe mounting	
	2	Wall mounting type	
	3	Panel mounting type	
② Type of connection	7	1/4PT (F)	
	X	1/4NPT (F)	
③ Wetted parts materials	3	Housing : 316SS, Bellows : 316LSS, Packing : NBR	
	0	Other	
④ Differential pressure range	A	Refer to range table	
	Q		
⑤ Accuracy	1	±1.5% of F.S.	
	X	±1.0% of F.S. (Option)	
⑥ Treatment	0	Nil	
	1	Use no oil	
	2	Use no water	
	3	Use no oil & Water	
⑦ Option	0	Nil	
	1	3-way manifold V/V	
	2	5-way manifold V/V	
⑧ Document	0	Nil	
	1	Required	
⑨ Other additional spec.	O	Nil	
	Z	Required	