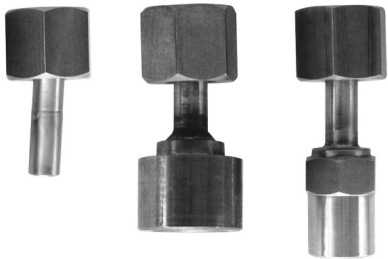


# Outline dimension & Mounting type (FJ 20-22-23 Socket welding type gauge union)



**\* Gauge union**  
These joints are applied to the connection between different thread types, different thread diameters and different pipe diameters.

**• Connection type :**  
Union female joint x Pipe welding type  
Union female joint x Socket welding type

**• Wetted part material :**  
Brass, Stainless steel, Steel

**• Finishing :**  
Brass plain  
Stainless steel plain  
Steel/Ni gilt

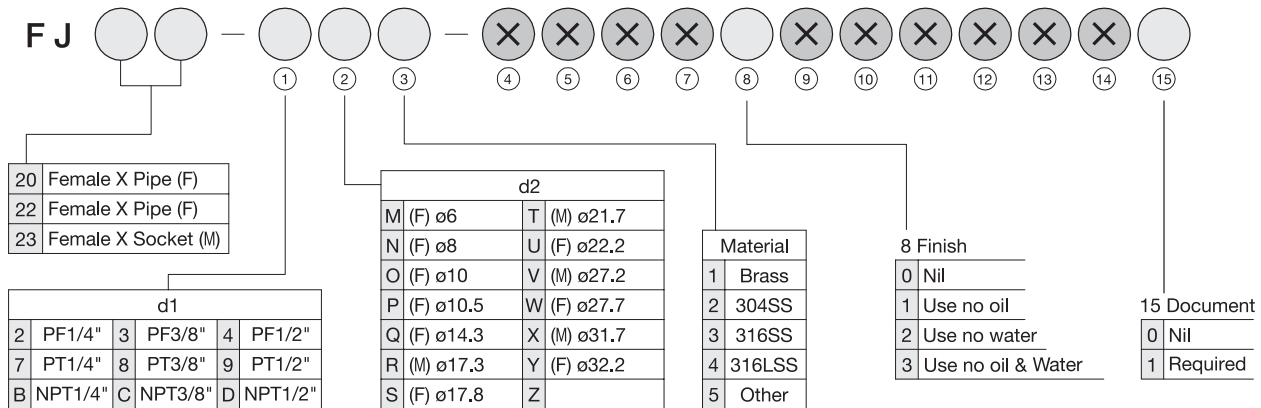
**• Max. allowable working pressure :**

Model	Brass	Stainless steel	Steel
FJ20	15 MPa	22.5 MPa	22.5 MPa
FJ22-23	50 MPa	50 MPa	50 MPa

**• Working Temp. :** Less than 80°C

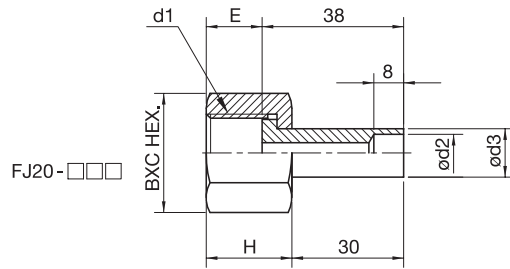
**• Weight :** Approx. 0.1 ~ 0.2kg

\* For ordering, Please specify the model number and each spec.



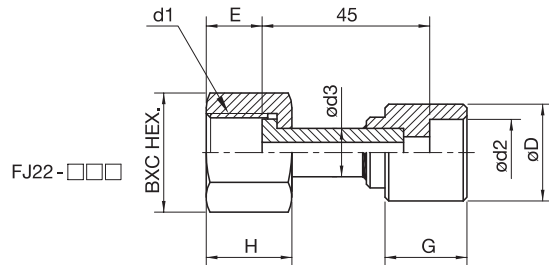
FJ20 Pipe welding type gauge union (F)

Model No.	d1 x d2	E	F	d3	BXC HEX.
FJ20-3M3	PF3/8 X ø6	13	21	10.5	22X25.4
FJ20-3N3	PF3/8 X ø8			13	
FJ20-3O3	PF3/8 X ø10			13	
FJ20-3P3	PF3/8 X ø10.5			13	
FJ20-4M3	PF1/2 X ø6	15	23	10.5	27X31.2
FJ20-4N3	PF1/2 X ø8			13	
FJ20-4O3	PF1/2 X ø10			13	
FJ20-4P3	PF1/2 X ø10.5			13	



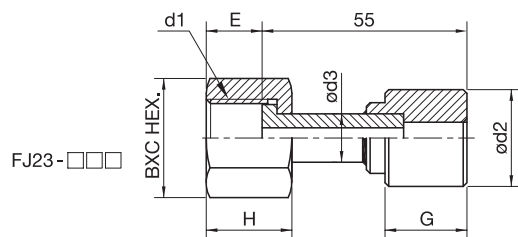
FJ22 Pipe welding type gauge union (F)

Model No.	d1 x d2	D	E	F	d3	G	H	BXC HEX.
FJ22-3S3	PF3/8 X ø17.8	26	13	10	10.5	22	21	22X25.4
FJ22-3U3	PF3/8 X ø22.2	32		13		25		
FJ22-3X3	PF3/8 X ø27.7	40		13		25		
FJ22-4S3	PF1/2 X ø17.8	26	15	10	10.5	22	23	27X31.2
FJ22-4U3	PF1/2 X ø22.2	32		13		25		
FJ22-4X3	PF1/2 X ø27.7	40		13		25		



FJ23 Socket welding type gauge union (M)

Model No.	d1 x d2	D	E	F	d3	G	H	BXC HEX.
FJ23-3R3	PF3/8 X ø17.3	26	13	10	10.5	25	21	22X25.4
FJ23-3T3	PF3/8 X ø21.7	32		13		25		
FJ23-3V3	PF3/8 X ø27.2	40		13		25		
FJ23-4R3	PF1/2 X ø17.8	26	15	10	10.5	25	23	27X31.2
FJ23-4T3	PF1/2 X ø22.2	32		13		25		
FJ23-4V3	PF1/2 X ø27.7	40		13		25		



## Outline dimension & Mounting type (FJ30 & 31 Series gauge union)



\* Gauge union  
These joints are applied to the connection between different thread types, different thread diameters and different pipe diameters.

- Connection type :  
Femal x Mail joint (FJ30)  
Female x Female joint (FJ31)
- Wetted part material :  
Brass, Stainless steel, Steel
- Finishing :  
Brass plain  
Stainless steel plain  
Steel/Ni gilt

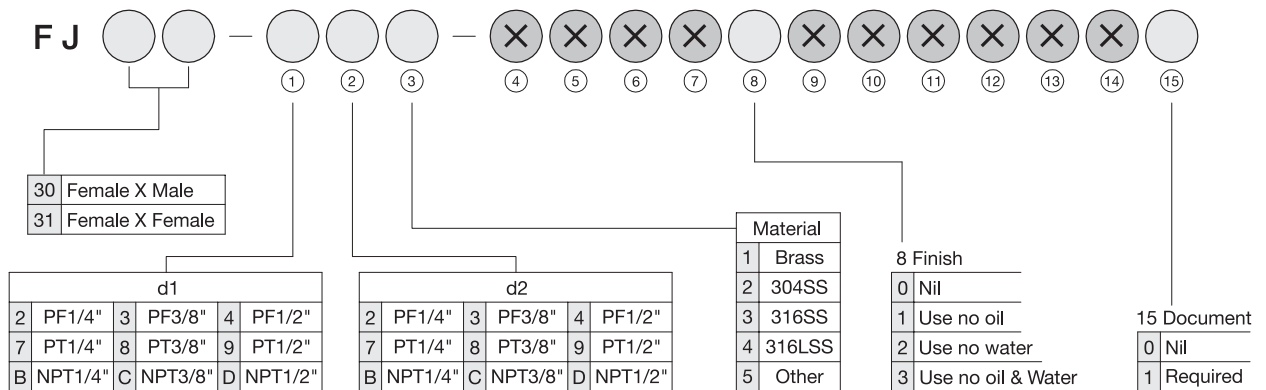
• Max. allowable working pressure :

Model	Brass	Stainless steel	Steel
FJ30-31	20 MPa	50 MPa	50 MPa

• Working Temp. : Less than 80°C

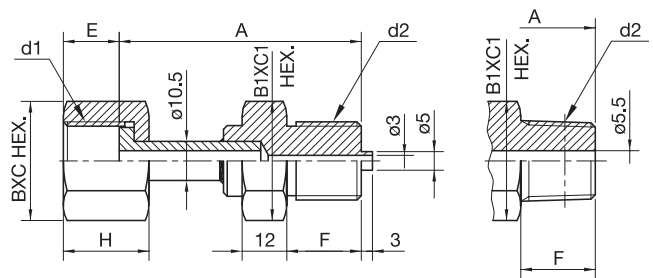
• Weight : Approx. 0.1 ~ 0.2kg

\* For ordering, Please specify the model number and each spec.



FJ30 Gauge union (F-M Type)

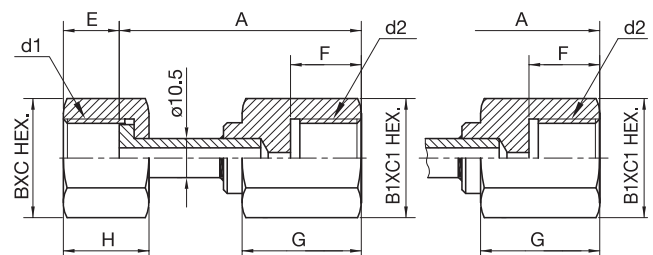
Model No.	d1 x d2	A	E	F	H	BXC HEX.	B1XC1 HEX.
FJ30-323	PF3/8 X PF1/4	61		16	21	22X25.4	19 X 21.9
FJ30-333	PF3/8 X PF3/8	63	13	18			
FJ30-343	PF3/8 X PF1/2	65		20			22 X 25.4
FJ30-423	PF1/2 X PF1/4	61		16			
FJ30-433	PF1/2 X PF3/8	63	15	18	23	27X31.2	19 X 21.9
FJ30-443	PF1/2 X PF1/2	65		20			22 X 25.4
FJ30-373	PF3/8 X PT1/4	61		16			
FJ30-383	PF3/8 X PT3/8	63	13	18	21	22X25.4	19 X 21.9
FJ30-393	PF3/8 X PT1/2	65		20			22 X 25.4
FJ30-473	PF1/2 X PT1/4	61		16			
FJ30-483	PF1/2 X PT3/8	63	15	18	23	27X31.2	19 X 21.9
FJ30-493	PF1/2 X PT1/2	65		20			22 X 25.4



FJ30 - □□□

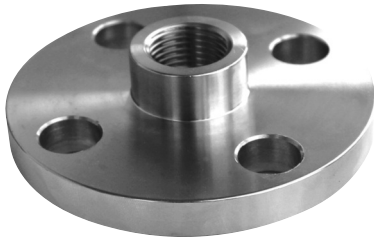
FJ31 Gauge union (F-F Type)

Model No.	d1 x d2	A	E	F	G	H	BXC HEX.	B1XC1 HEX.
FJ31-323	PF3/8 X PF1/4	56		14	23			19 X 21.9
FJ31-333	PF3/8 X PF3/8	58	13	16	25	21	22X25.4	22 X 25.4
FJ31-343	PF3/8 X PF1/2	60		18	27			27 X 31.2
FJ31-3D3	PF1/2 X NPT1/2	63		17	30			
FJ31-453	PF1/2 X PT3/4	68		19	35			32 X 37
FJ31-463	PF1/2 X PT1/8	54		10	21			
FJ31-423	PF1/2 X PF1/4	56	15	14	23	23	27X31.2	19 X 21.9
FJ31-433	PF1/2 X PF3/8	58		16	25			22 X 25.4
FJ31-443	PF1/2 X PF1/2	60		18	27			27 X 31.2
FJ31-373	PF3/8 X PT1/4	56		12	23			22 X 25.4
FJ31-383	PF3/8 X PT3/8	58	13	14	25	21	22X25.4	22 X 25.4
FJ31-393	PF3/8 X PT1/2	65		17	27			27 X 31.2
FJ31-473	PF1/2 X PT1/4	60		12	23			22 X 25.4
FJ31-483	PF1/2 X PT3/8	58	15	14	25	23	27X31.2	22 X 25.4
FJ31-493	PF1/2 X PT1/2	60		17	27			27 X 31.2



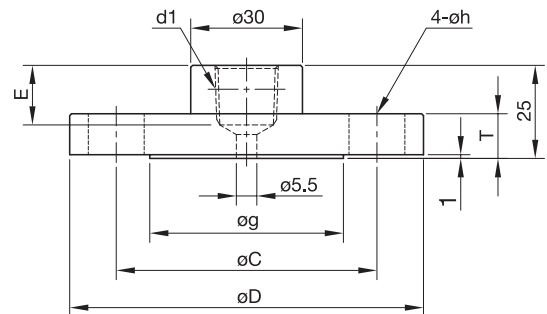
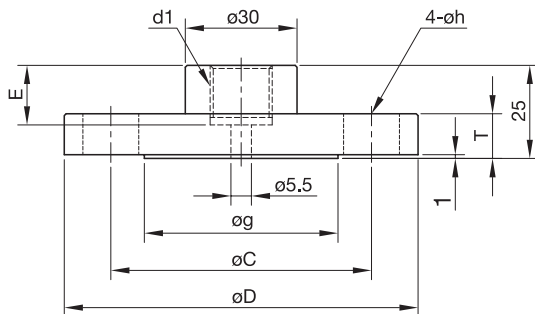
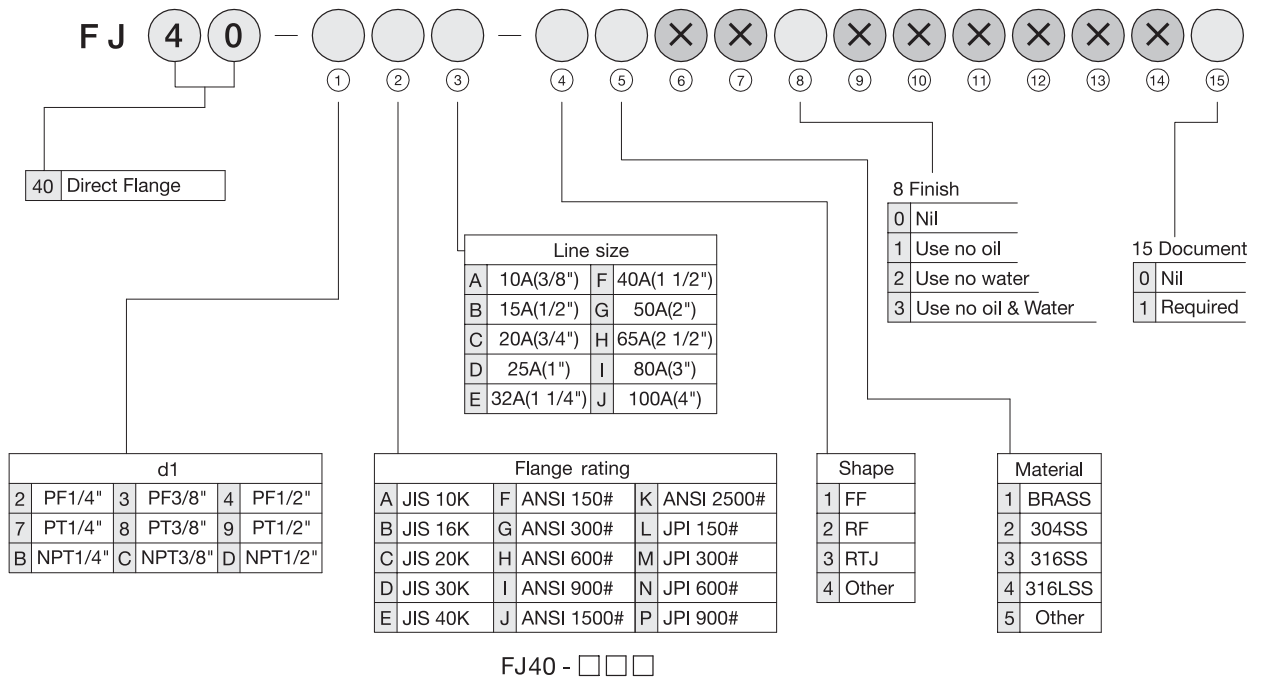
FJ31 - □□□

## Outline dimension & Mounting type (FJ40 Series flange type gauge union)



- **Model :**  
FJ40 Series flange type gauge union
- **Connection type :**  
Female screw x Flange connection
- **Test pressure :**  
30 MPa
- **Operating temperature :**  
Less than 80°C
- **Material :**  
304SS, 316SS, Other (Request)

\* For ordering, Please specify the model number and each spec.



Flange type gauge union (PF-type)

Model No.	d1 X Flange rating	D	T	g	C	h	E
FJ40-3AA	PF3/8 X JIS10K10ARF	90	12	46	65	15	16
FJ40-3AB	PF3/8 X JIS10K15ARF	95		51	70		
FJ40-3AC	PF3/8 X JIS10K20ARF	100	14	56	75	19	18
FJ40-3AD	PF3/8 X JIS10K25ARF	125		67	90		
FJ40-4AA	PF1/2 X JIS10K10ARF	90	12	46	65	15	18
FJ40-4AB	PF1/2 X JIS10K15ARF	95		51	70		
FJ40-4AC	PF1/2 X JIS10K20ARF	100	14	56	75	19	18
FJ40-4AD	PF1/2 X JIS10K25ARF	125		67	90		

Flange type gauge union (PT & NPT-type)

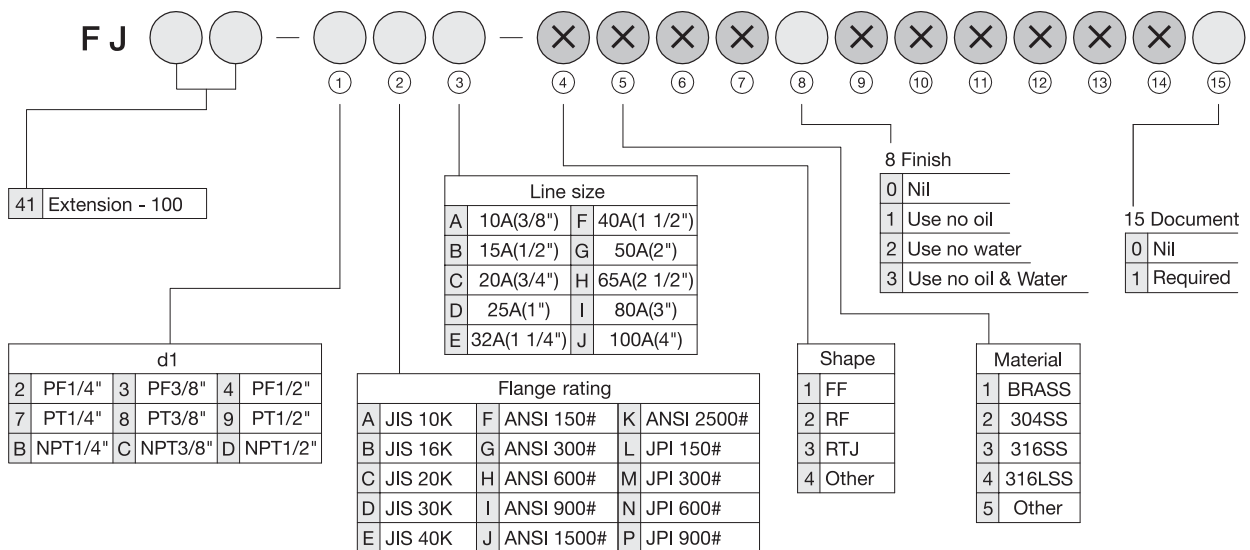
Model No.	d1 X Flange rating	D	T	g	C	h	E
FJ40-3AA	PT3/8 X JIS10K10ARF	90	12	46	65	15	16
FJ40-3AB	PT3/8 X JIS10K15ARF	95		51	70		
FJ40-3AC	PT3/8 X JIS10K20ARF	100	14	56	75	19	18
FJ40-3AD	PT3/8 X JIS10K25ARF	125		67	90		
FJ40-4AA	PT1/2 X JIS10K10ARF	90	12	46	65	15	18
FJ40-4AB	PT1/2 X JIS10K15ARF	95		51	70		
FJ40-4AC	PT1/2 X JIS10K20ARF	100	14	56	75	19	18
FJ40-4AD	PT1/2 X JIS10K25ARF	125		67	90		

## Outline dimension & Mounting type (FJ41 Series flange type gauge union)



- Model : FJ41 Series flange type gauge union
- Connection type : Female screw x Flange connection
- Test pressure : 30 MPa
- Operating temperature : Less than 80°C
- Material : 304SS, 316SS, Other (Request)

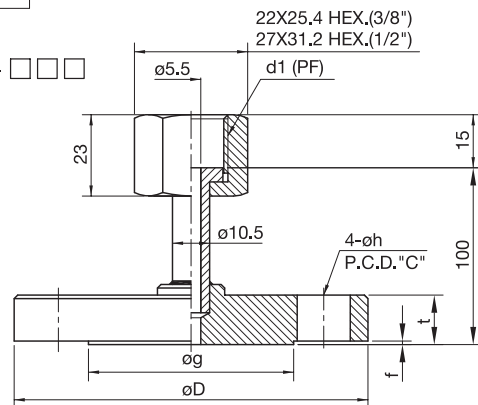
\* For ordering, Please specify the model number and each spec.



Flange type gauge union (PF type)

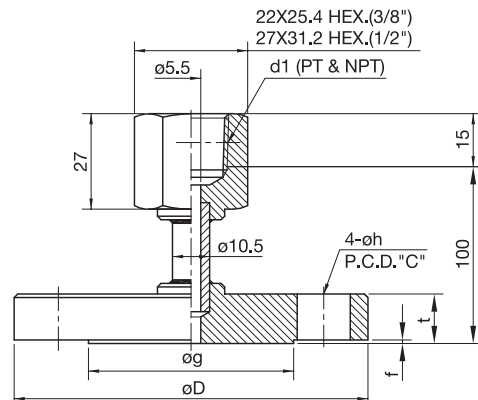
Model No.	d1 x Flange rating	D	t	f	g	C	h
FJ41-3AA	PF3/8" x JIS10K 10A RF	90	12	1	46	65	15
FJ41-3AB	PF3/8" x JIS10K 15A RF	95			51	70	
FJ41-3AC	PF3/8" x JIS10K 20A RF	100	14	1	56	75	
FJ41-4CA	PF1/2" x JIS10K 10A RF	90			46	65	
FJ41-4CB	PF1/2" x JIS10K 15A RF	95	16	1	51	70	
FJ41-4CC	PF1/2" x JIS10K 20A RF	100			56	75	

FJ41 - □ □ □



Flange type gauge union (PT & NPT type)

Model No.	d1 x Flange rating	D	t	f	g	C	h
FJ41-9AA	PT3/8" x JIS10K 10A RF	90	12	1	46	65	15
FJ41-9AB	PT3/8" x JIS10K 15A RF	95			51	70	
FJ41-9AC	PT3/8" x JIS10K 20A RF	100	14	1	56	75	
FJ41-9CA	PT1/2" x JIS10K 10A RF	90			46	65	
FJ41-9CB	PT1/2" x JIS10K 15A RF	95	16	1	51	70	
FJ41-9CC	PT1/2" x JIS10K 20A RF	100			56	75	



# Outline dimension & Mounting type (FJ45 Series flange type gauge union)



- Model : FJ45 Series flange type gauge union
- Connection type : Female screw x Flange connection
- Test pressure : 30 MPa
- Operating temperature : Less than 80°C
- Material : 304SS, 316SS, Other (Request)

\* For ordering, Please specify the model number and each spec.

F J 4 5 — ① ② ③ — ④ ⑤ ⑥ ⑦ ⑧ ⑨ ⑩ ⑪ ⑫ ⑬ ⑭ ⑮

45 Extension - 50

A	10A(3/8")	F	40A(1 1/2")
B	15A(1/2")	G	50A(2")
C	20A(3/4")	H	65A(2 1/2")
D	25A(1")	I	80A(3")
E	32A(1 1/4")	J	100A(4")

A	JIS 10K	F	ANSI 150#	K	ANSI 2500#
B	JIS 16K	G	ANSI 300#	L	JPI 150#
C	JIS 20K	H	ANSI 600#	M	JPI 300#
D	JIS 30K	I	ANSI 900#	N	JPI 600#
E	JIS 40K	J	ANSI 1500#	P	JPI 900#

0	Nil
1	Use no oil
2	Use no water
3	Use no oil & Water

0	Nil
1	Required

2	PF1/4"	3	PF3/8"	4	PF1/2"
7	PT1/4"	8	PT3/8"	9	PT1/2"
B	NPT1/4"	C	NPT3/8"	D	NPT1/2"

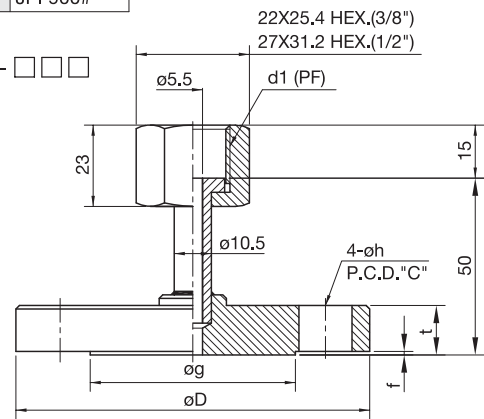
1	BRASS
2	304SS
3	316SS
4	316LSS
5	Other

1	FF
2	RF
3	RTJ
4	Other

Flange type gauge union (PF type)

Model No.	d1 x Flange rating	D	t	f	g	C	h
FJ45-4AA	PF3/8" x JIS10K 10A RF	90	12	1	46	65	15
FJ45-4AB	PF3/8" x JIS10K 15A RF	95			51	70	
FJ45-4AC	PF3/8" x JIS10K 20A RF	100	14	1	56	75	
FJ45-4CA	PF1/2" x JIS10K 10A RF	90			46	65	
FJ45-4CB	PF1/2" x JIS10K 15A RF	95	51	70			
FJ45-4CC	PF1/2" x JIS10K 20A RF	100	16	56	75		

FJ45 - □ □ □



Flange type gauge union (PT & NPT type)

Model No.	d1 x Flange rating	D	t	f	g	C	h
FJ45-9AA	PT3/8" x JIS10K 10A RF	90	12	1	46	65	15
FJ45-9AB	PT3/8" x JIS10K 15A RF	95			51	70	
FJ45-9AC	PT3/8" x JIS10K 20A RF	100	14	1	56	75	
FJ45-9CA	PT1/2" x JIS10K 10A RF	90			46	65	
FJ45-9CB	PT1/2" x JIS10K 15A RF	95	51	70			
FJ45-9CC	PT1/2" x JIS10K 20A RF	100	16	56	75		

