

IMMERSION TYPE LEVEL TRANSMITTER

MODEL **LT-600**





■ LT-600

LT-600 applies diffusion-type semiconductor pressure sensor to maintain its high accuracy. The hydraulic system the structure of which is made of dual diaphragm employs SUS 316 on the dosing part, which makes it applicable to a wide range of measurement including corrosive matters.

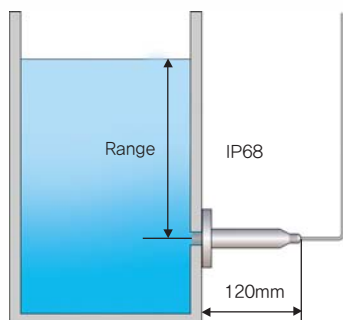
■ Major Features

- Highly anti-corrosive SUS 316 employed for dosing part
- Advanced anti-noise ability with an amp built in transmitter
- Small sensor suitable for easier installation
- Increased tolerance on the change of fluid properties
- Refined cable, under food safety standard (94/62/EU), suited to tank for storage of water, milk, and alcohol
- Zero-span calibration
- Grooved air vent tube for compensation of atmospheric change

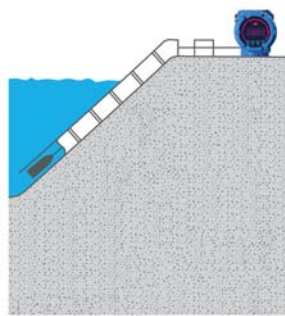
■ Use

- Various tank for sewage, clean water, beverage, oil
- Dam, river, lake

■ Applications



● Various Tanks



● River, Dam



● Clean Water Reservoir





Product Specification

Converter

MODEL	LT-600
Material	Aluminium die-casting
Structure	IP 65
Indication	LED (4 Digit)
Degree	±0.1% F.S
Workable temperature	-20 ~ +120°C
Calibration	Zero / SPAN CALIBRATION
Cable Con'n	1/2" (15A)
Mounting	U volt, Flange : JIS 10K, ≥80A (PVC, SUS304)
Power	DC 24V (2wire), DC 4-20mA (≤600Ω)

Sensor

MODEL	CNC-4200
Measuring principle	Silicon oil inserted to diaphragm
Measuring range	0~2, 0~4, 0~6, 0~8, 0~10, 0~20, 0~250
Output	DC 4-20mA (2 wire loop)
Degree	±0.1% F.S
Workable temperature	-20 ~ +100°C
Cable material	Polyethylene (62/EU), 62g/m, ø 6mm
Power	DC 15~30V (2wire)
Hysteresis	0.1% F.S
Material	SUS 304L or 316L
Structure	IP 68
Weight	150g

Related Instrument

Distributor

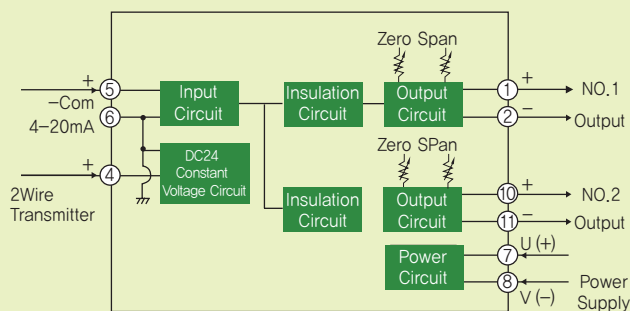


- MODEL : 7652W
- Input : DC 24V (2wire)
- Output : DC 4-20mA
DC 1-5V
- Degree : ±0.1%
- Power : AC 90 ~ 240V

Bargraph Meter Relay

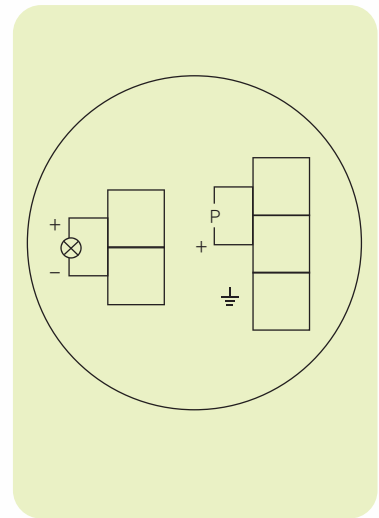


- MODEL : 1913
- Input : DC 4-20mA
- Degree : ±0.1%
- Output : DC 4-20mA
HH, H, L, LL
- Indication : Red LED
- Response Speed : 0.5s
- Power : AC 90~240V
DC 24V





Outside View



Order Information

LT-600	IMMERSION TYPE LEVEL TRANSMITTER	
	O	Indicating Type
	X	No-indicating Type
	J	JIS 10K : 80A/100A
	K	KS 10K : 80A/100A
	1	0 ~ 2M
	2	0 ~ 4M
	3	0 ~ 6M
	4	0 ~ 8M
	5	0 ~ 10M
	6	0 ~ 20M
	7	Over 20M (MAX 250M)
	2	2wire (DC 15~30V)
	4	DC 4~20mA
	M	Cable Length

LT-600						
--------	--	--	--	--	--	--

※ These contents are subject to change without notice for quality improvement.