



Magswitch Technology, Inc.  
 8774 Yates Dr. Suite 140  
 Westminster, CO 80031  
 Magswitch.com.au  
 303-468-0662

# Magswitch Heavy Duty MagWheel 1000

## P/N: 8100693

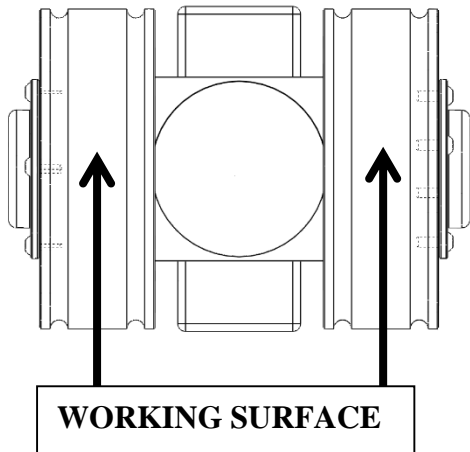
The Magswitch MagWheel offers powerful connection for drive units on any ferrous surface enabling flat, vertical or inverse travel. Applications include positioning and guiding, sheet feeding, pipe handling, fitting and fabrication and numerous OEM automation and fixturing applications. MagWheel can be fitted with drive units for mobile applications. MagWheel results in efficiency, new applications and productive solutions.

Underneath the patented MagWheel design is the highly functional AR Housing. Through clever innovation of the original Magswitch, the MagWheel provides all the features of a standard Magswitch on the move. The magnetic flux path through the wheels means climbing, carrying and driving anywhere above or below a ferrous surface is now a reliable, fail-safe reality.



**WARNING!**  
**Do Not Operate Unless In**  
**Contact With Ferrous Target**

SPECIFICATIONS	
<b>P/N: 810693 - MAGSWITCH Heavy Duty MagWheel 1000</b>	
Max Breakaway*	528 lbs/239.5 kg
Net Weight	20 lbs/9 kg
Overall Height	50mm
Magnetic Pole Footprint	127mm x 143.6mm



\* Max Breakaway determined in laboratory environment on 2" thick SAE1018 Steel with surface roughness 63 micro inches. Many factors contribute to the actual breakaway force in each application. Always test the magswitch in each application before deployment. Refer to the magswitch information booklet for more information.

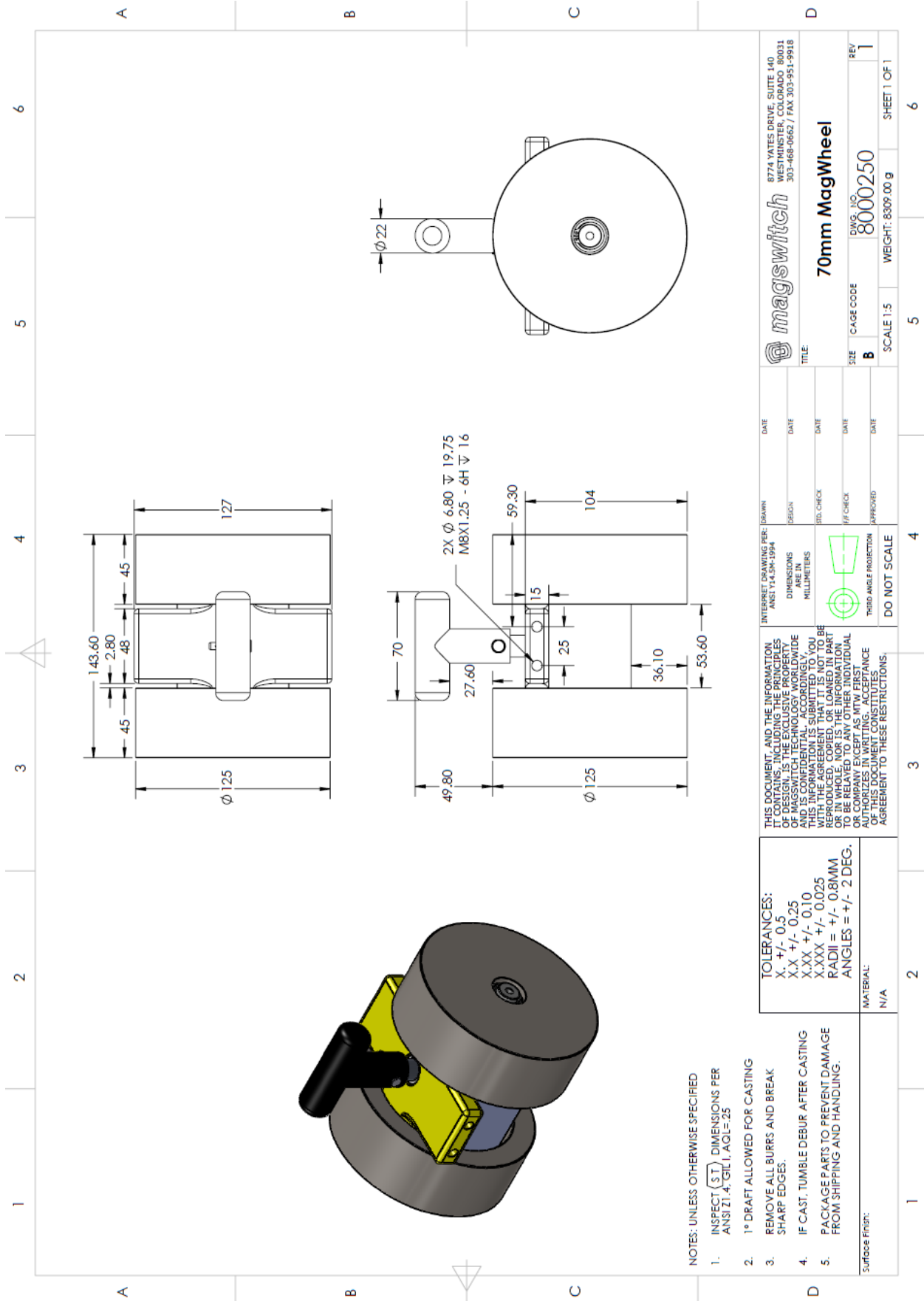


Part Number 110692  
 Revision Date: June 26, 2012



Part Number 110692  
Revision Date: June 26, 2012

\* Max Breakaway determined in laboratory environment on 2" thick SAE1018 Steel with surface roughness 63 micro inches. Many factors contribute to the actual breakaway force in each application. Always test the magswitch in each application before deployment. Refer to the magswitch information booklet for more information.



- NOTES: UNLESS OTHERWISE SPECIFIED
1. INSPECT (ST) DIMENSIONS PER ANSI Z1.4, CQL1, AQL=25
  2. 1° DRAFT ALLOWED FOR CASTING
  3. REMOVE ALL BURRS AND BREAK SHARP EDGES.
  4. IF CAST, TUMBLE DEBUR AFTER CASTING
  5. PACKAGE PARTS TO PREVENT DAMAGE FROM SHIPPING AND HANDLING.

<p><b>TOLERANCES:</b>  X, +/- 0.5  X.X +/- 0.25  X.XX +/- 0.10  X.XXX +/- 0.025  RADII = +/- 0.8MM  ANGLES = +/- 2 DEG.</p>		<p>INTERPRET DRAWING PER:  ANSI 14.3M-1994</p>		<p>DATE  DRAWN  DESIGN  DATE  DATE  DATE  DATE  DATE</p>		<p>DATE  DATE  DATE  DATE  DATE</p>	
<p>THIS DOCUMENT, AND THE INFORMATION IT CONTAINS, INCLUDING THE PRINCIPLES OF MAGSWITCH TECHNOLOGY, WORLDWIDE AND IS CONFIDENTIAL. ACCORDINGLY, THIS INFORMATION IS SUBMITTED TO YOU ON A NON-REPRODUCTION BASIS. IT IS NOT TO BE REPRODUCED, COPIED, OR LOANED IN PART OR IN WHOLE, NOR IS THE INFORMATION TO BE RELAYED TO ANY OTHER INDIVIDUAL WITHOUT THE WRITTEN PERMISSION OF THIS DOCUMENT'S AUTHORITIES. ANY VIOLATION OF THESE RESTRICTIONS WILL BE PROSECUTED TO THE FULL EXTENT OF THE LAW.</p>		<p>DIMENSIONS ARE IN MILLIMETERS</p>		<p>REVISIONS</p>		<p>REVISIONS</p>	
<p>MATERIAL:  N/A</p>		<p>THIRD ANGLE PROJECTION</p>		<p>DO NOT SCALE</p>		<p>DO NOT SCALE</p>	
<p>Surface Finish:</p>		<p>SCALE: 1:5</p>		<p>WEIGHT: 8309.00 g</p>		<p>SHEET 1 OF 1</p>	

**magswitch** 8774 YATES DRIVE, SUITE 140  
WESTMINSTER, COLORADO 80031  
303-468-0662 / FAX 303-951-9918

**70mm MagWheel**

DWG. NO. 8000250  
CAGE CODE B  
SCALE 1:5  
WEIGHT: 8309.00 g  
SHEET 1 OF 1