



Magswitch Technology, Inc.  
 8774 Yates Dr. Suite 140  
 Westminster, CO 80031  
 Magswitch.com.au  
 303-468-0662

# Magswitch MLAY1000

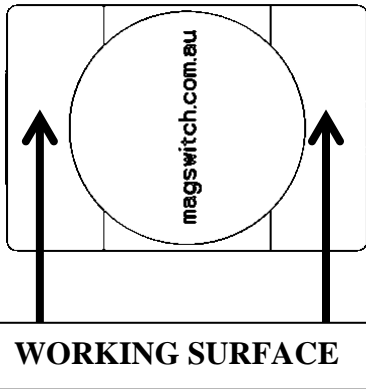
## P/N: 8100088

Magswitch LAY series magnets utilize different size magnets to attain different field depths. The MLAY1000 series utilizes 70mm magnets to achieve full saturation at 3/4 inch and greater. The MLAY1000 is a medium duty lifting magnet ideal for fitting in tight spots and lifting beams and medium sheets. This unit is great for lifting loads with painted or rusty surfaces as the deep field penetrates further into the metal.



**WARNING!**  
**Do Not Operate Unless In**  
**Contact With Ferrous Target**

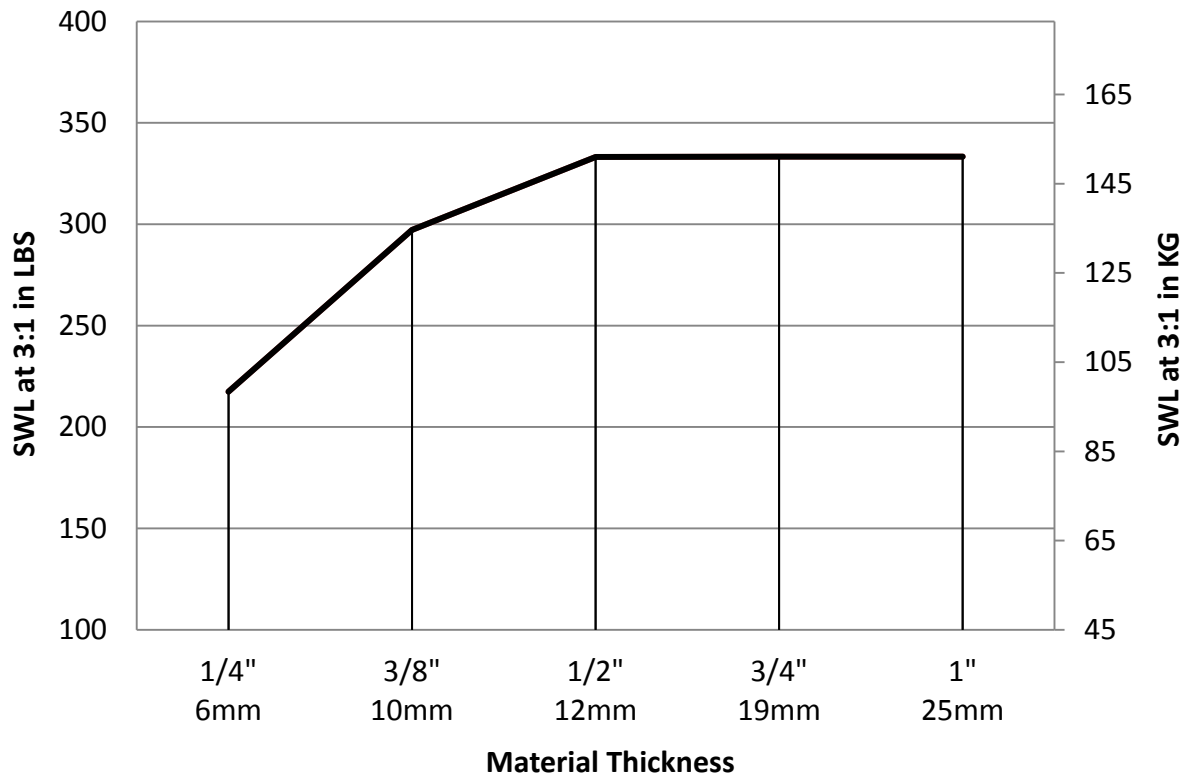
SPECIFICATIONS	
<b>P/N: 8100088 - MAGSWITCH MLAY1000</b>	
Max Breakaway*	1000 lbs/454 kg
Safe Working Load*	333 lbs/151 kg
Full Saturation Thickness	3/4" / 12.7mm
Max Safe Shear*	50 lbs/22.7 kg
Minimum Thickness for De-Stack	3/4" / 12.7mm
Net Weight	11.5 lbs/5.2 kg
Overall Height	253.12 mm
Magnetic Pole Footprint	108.0 x 72.0 mm



\* Max Breakaway determined in laboratory environment on 2" thick SAE1018 Steel with surface roughness 63 micro inches. Many factors contribute to the actual breakaway force in each application. Always test the magswitch in each application before deployment. Refer to the magswitch information booklet for more information.



## Magswitch MLAY1000 Safe Working Load



Part Number 110692  
Revision Date: June 26, 2012

\* Max Breakaway determined in laboratory environment on 2" thick SAE1018 Steel with surface roughness 63 micro inches. Many factors contribute to the actual breakaway force in each application. Always test the magswitch in each application before deployment. Refer to the magswitch information booklet for more information.

1

2

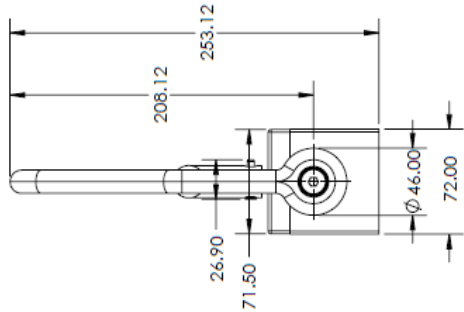
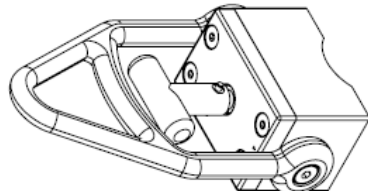
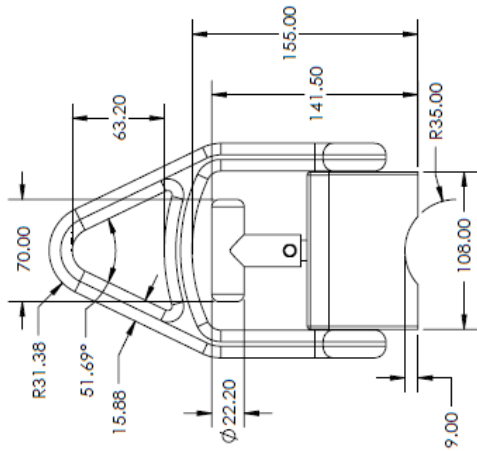
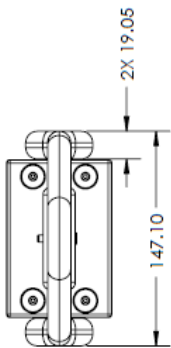
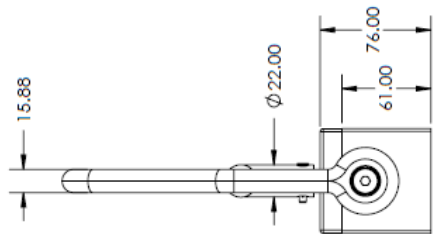
3

4

5

6

Max Breakaway	1000 lbs / 454 kg
Safe Working Load	333 lbs / 151 kg
Optimum Material Thickness	1/2" / 12.7mm



THIS DOCUMENT, AND THE INFORMATION IT CONTAINS, INCLUDING THE PRINCIPLES OF DESIGN, IS THE EXCLUSIVE PROPERTY OF MTS. IT IS NOT TO BE REPRODUCED, COPIED, OR TRANSMITTED IN ANY FORM OR BY ANY MEANS, WITHOUT THE WRITTEN PERMISSION OF MTS. THE INFORMATION CONTAINED HEREIN IS FOR THE PART OR COMPANY EXCEPT AS MTW FIRST AUTHORIZED BY MTS. ANY UNAUTHORIZED USE OF THIS INFORMATION IS IN VIOLATION OF THE AGREEMENT TO THESE RESTRICTIONS.

INTERPRET DRAWING PER:	DATE
ISO 2768-M	6/25/2012
DIMENSIONS ARE IN MILLIMETERS	DATE
THIRD ANGLE PROJECTION	DATE
DO NOT SCALE	DATE

<b>magswitch</b>		8774 YATES DRIVE SUITE 140 WESTMINSTER, COLORADO 80031 303-468-0662 / FAX 303-951-9918	
TITLE: <b>MLAY1000</b>		SIZE: <b>B</b>	REV: <b>01</b>
CAGE CODE	DWG. NO. <b>8100088</b>	SCALE: <b>1:3</b>	WEIGHT: <b>5165.65 g</b>
SHEET 1 OF 1		SHEET 1 OF 1	