



Magswitch Technology, Inc.
8774 Yates Dr. Suite 140
Westminster, CO 80031
Magswitch.com.au
303-468-0662

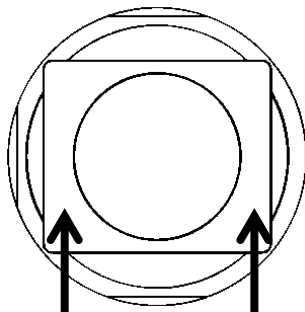
Magswitch AR20 Classic

P/N: 8140481

Magswitch “AR” series is explicitly designed for use with pole shoes. Pole shoes must be attached to the unit in order to maximize breakaway force and minimize residual magnetism. Each Magswitch “AR” unit comes equipped with one set of dual purpose pole shoes for flat or pipe/round stock. Simply flip the pole shoes around so the V shape is exposed for use on pipe and other rounds. The “AR” series allows complete customization of pole shapes to provide the best hold on your hard to grip parts.

Note: You may have to design and fabricate custom pole shoes depending on your application for optimal performance.

WARNING!
**Do Not Operate Unless In
Contact With Ferrous Target**



WORKING SURFACE

SPECIFICATIONS

P/N: 8140481 - MAGSWITCH AR20 Classic

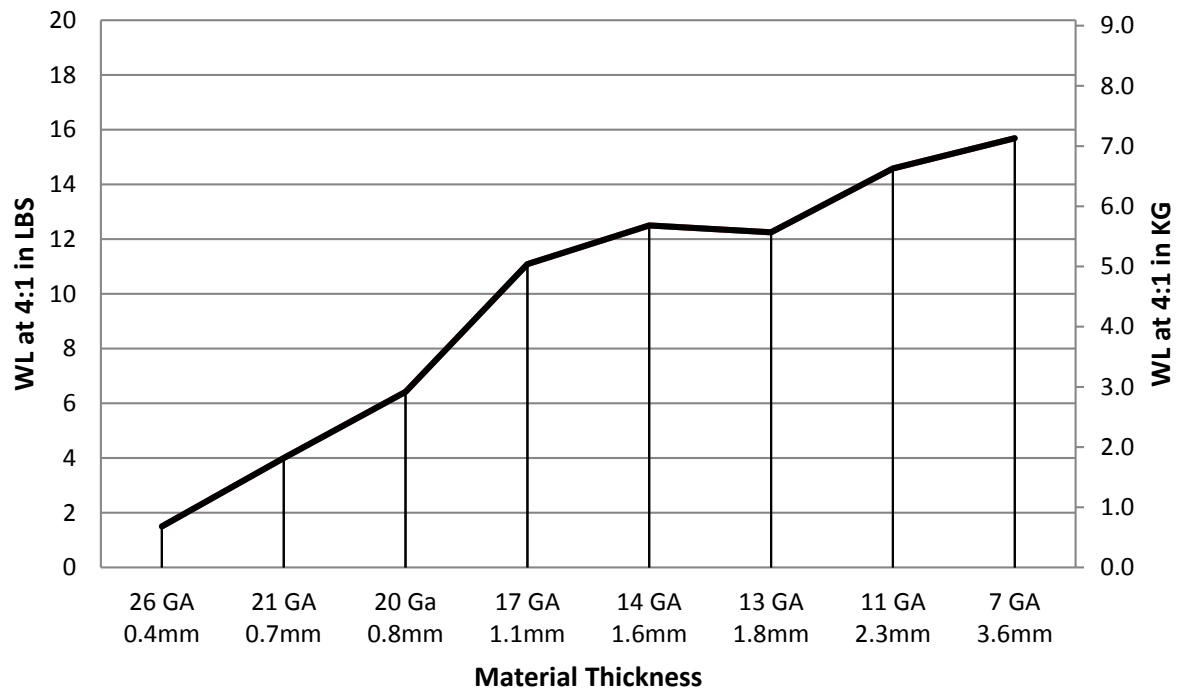
Max Breakaway*	63 lbs/28.6 kg
Working Load 4:1*	15.75 lbs/7.2 kg
Full Saturation Thickness	11 ga/3.0 mm
Max Shear 2:1*	6 lbs/2.7 kg
Minimum Thickness for De-Stack	11 ga/3.0 mm
Min Actuation Pressure	20 psi/1.4x10 ⁵ pa
Max Actuation Pressure	100 psi/6.9x10 ⁵ pa
Off Target Actuation Pressure	39 psi/ 2.6x10 ⁵ pa
Net Weight	0.4 lbs/0.2 kg
Air Port Thread	M5x0.8
Mounting Thread	M3x0.5
Overall Height	98.50 mm
Magnetic Pole Footprint	26x22 mm

* Max Breakaway determined in laboratory environment on 2" thick SAE1018 Steel with surface roughness 63 micro inches. Many factors contribute to the actual breakaway force in each application. Always test the magswitch in each application before deployment. Refer to the magswitch information booklet for more information.

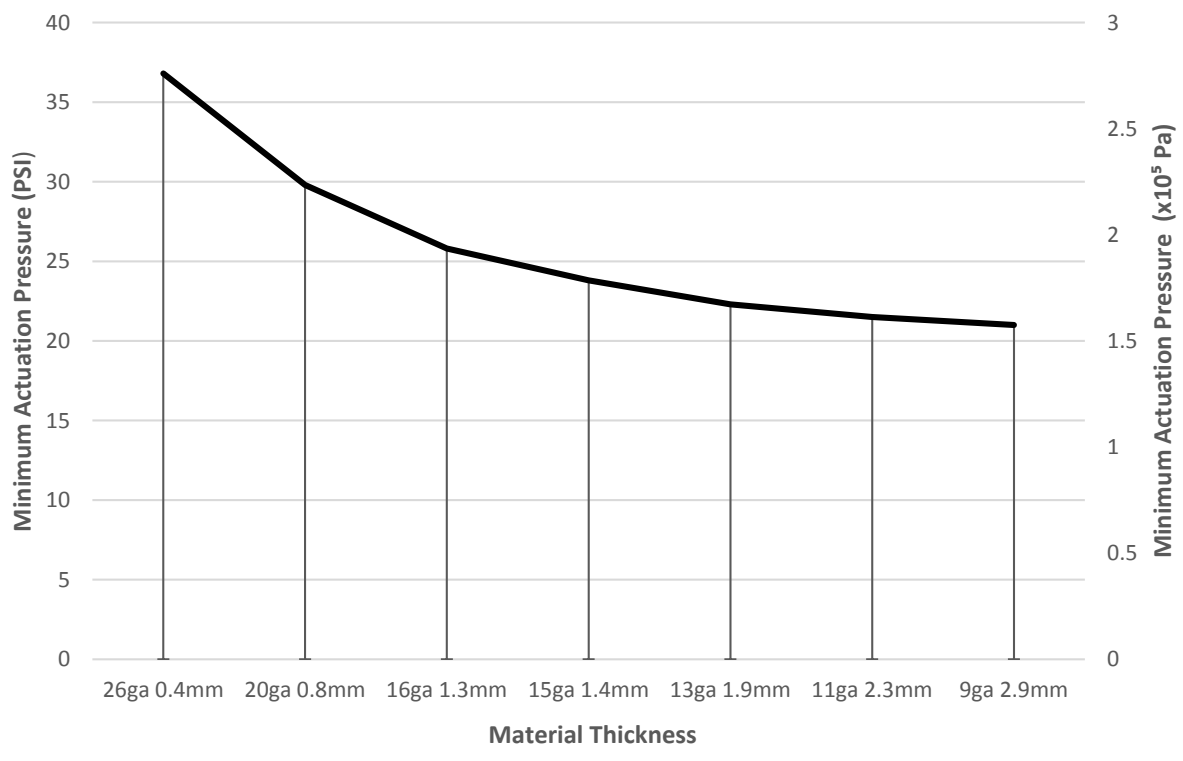
Part Number 110613
Revision Date: 11/11/2014



Magswitch AR20 Classic Working Load

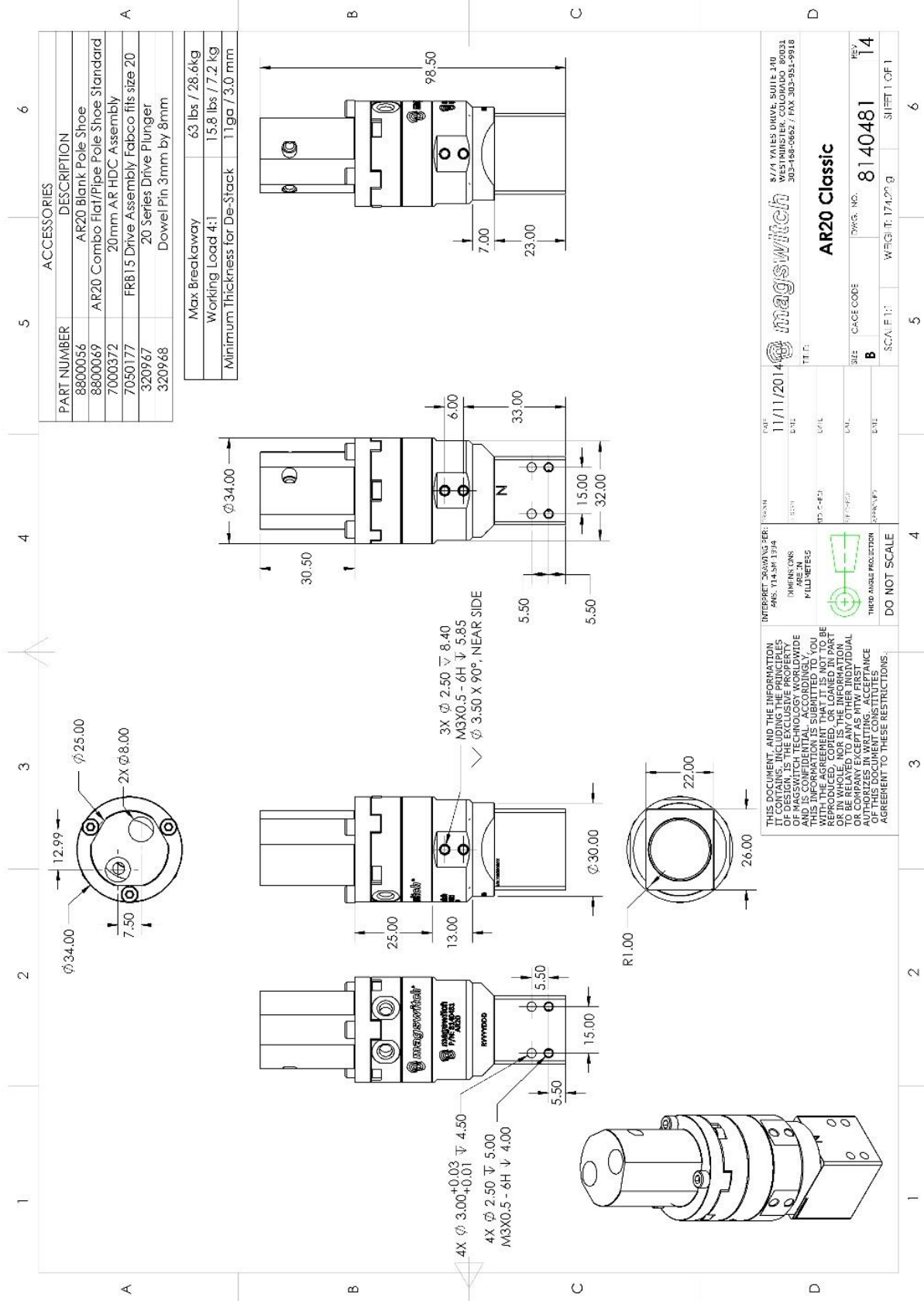


Actuation Pressure Vs. Material Thickness



Part Number 110613
 Revision Date: 11/11/2014

* Max Breakaway determined in laboratory environment on 2" thick SAE1018 Steel with surface roughness 63 micro inches. Many factors contribute to the actual breakaway force in each application. Always test the magswitch in each application before deployment. Refer to the magswitch information booklet for more information.



Part Number 110613
Revision Date: 11/11/2014