



Magswitch Technology, Inc.
 8774 Yates Dr. Suite 140
 Westminster, CO 80031
 Magswitch.com.au
 303-468-0662

Magswitch AR20 NAAMS

P/N: 8140678

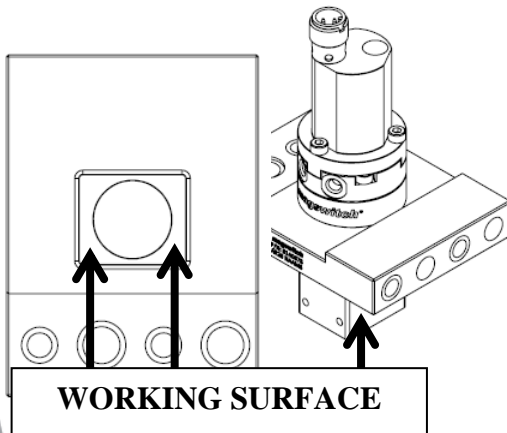
Magswitch “AR” series is explicitly designed for use with pole shoes. Pole shoes must be attached to the unit in order to maximize breakaway force and minimize residual magnetism. Each Magswitch “AR” unit comes equipped with one set of dual purpose pole shoes for flat or pipe/round stock. Simply flip the pole shoes around so the V shape is exposed for use on pipe and other rounds. The “AR” series allows complete customization of pole shapes to provide the best hold on your hard to grip parts. The “NAAMS” Mount is a universal, consistent, and precision effective way to attach these devices to robots and other mounts.

Note: You may have to design and fabricate custom pole shoes depending on your application for optimal performance.

WARNING!
Do Not Operate Unless In
Contact With Ferrous Target



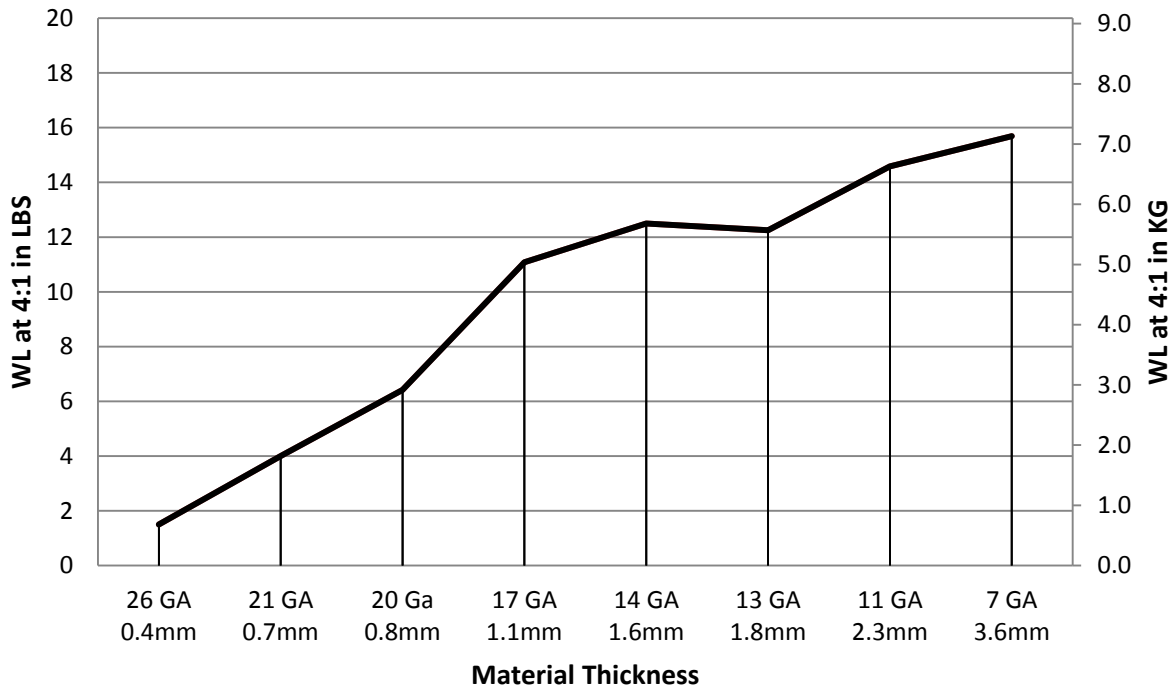
| SPECIFICATIONS | |
|--|--------------------------------|
| P/N: 8140678 - MAGSWITCH AR20 NAAMS | |
| Max Breakaway* | 63 lbs/28.6 kg |
| Working Load 4:1* | 15.75 lbs/7.2 kg |
| Full Saturation Thickness | 11 ga/3.0 mm |
| Max Shear 2:1* | 6 lbs/2.7 kg |
| Minimum Thickness for De-Stack | 11 ga/3.0 mm |
| Min Actuation Pressure | 20 psi/1.4x10 ⁵ pa |
| Max Actuation Pressure | 100 psi/6.9x10 ⁵ pa |
| Off Target Actuation Pressure | 39 psi/ 2.6x10 ⁵ pa |
| Net Weight | 0.85 lbs/0.39 kg |
| Air Port Thread | M5x0.8 |
| NAAMS Mount | 4: M8x1.25/4: Ø 6.0 |
| Overall Height | 98.50 mm |
| Magnetic Pole Footprint | 26x22 mm |



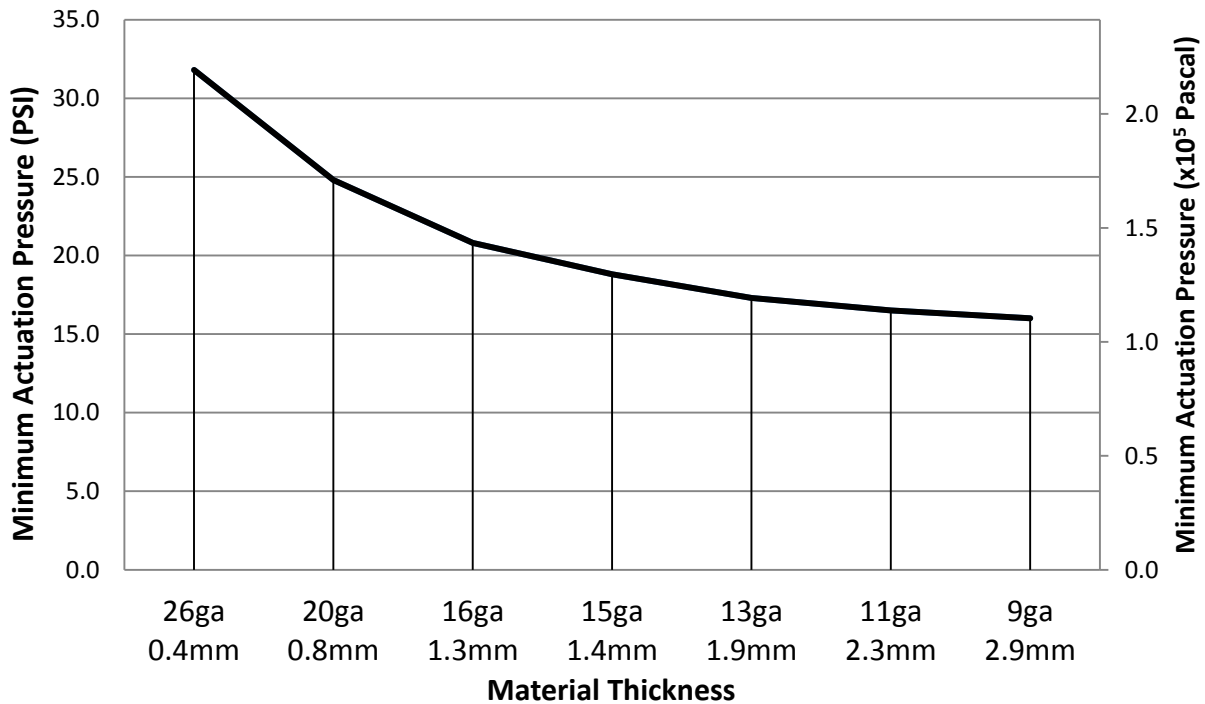
Part Number 110868
 Revision Date: September 24, 2013

* Max Breakaway determined in laboratory environment on 2” thick SAE1018 Steel with surface roughness 63 micro inches. Many factors contribute to the actual breakaway force in each application. Always test the magswitch in each application before deployment. Refer to the magswitch information booklet for more information.

Magswitch AR20 Working Load



Actuation Pressure Vs. Material Thickness

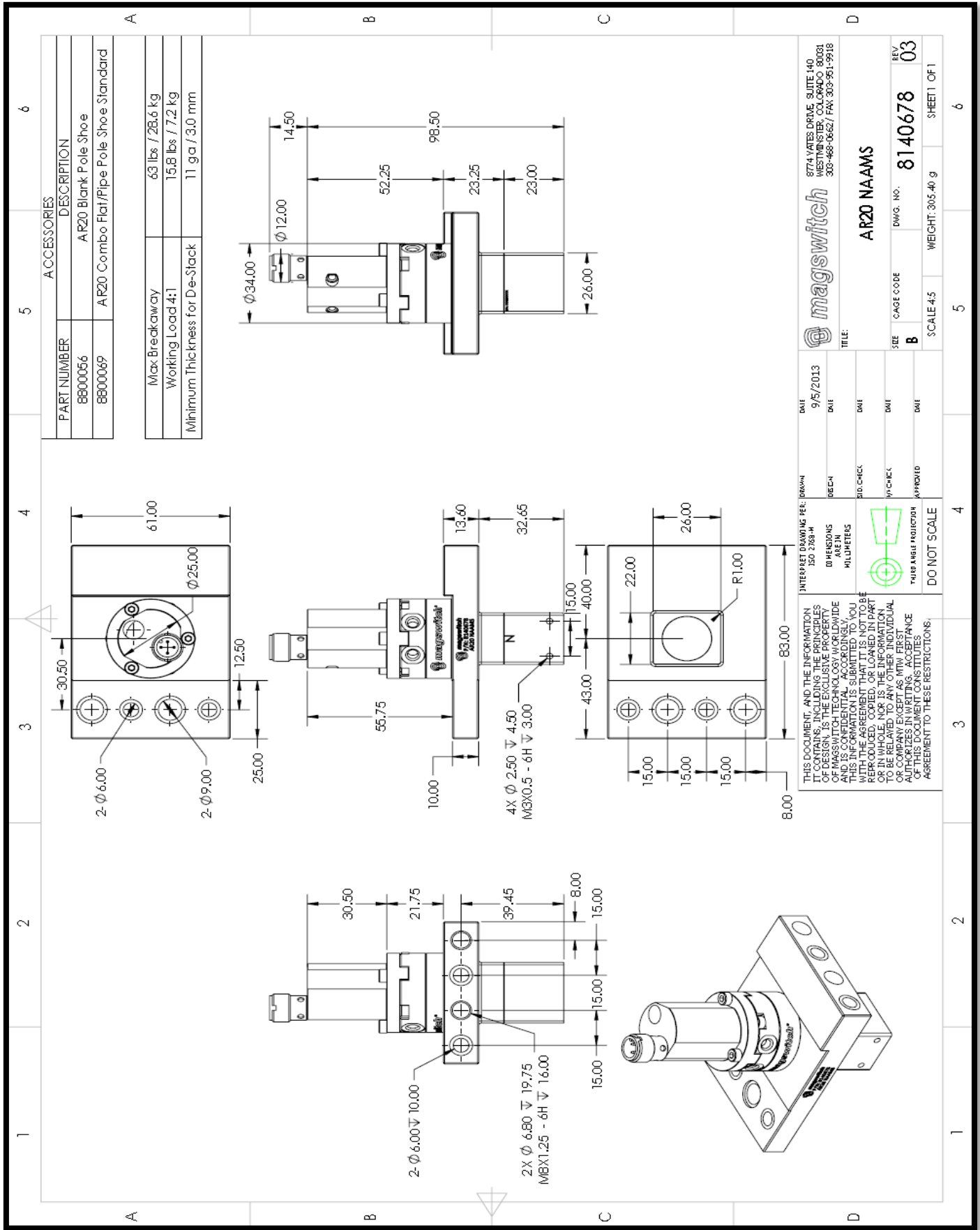


Part Number 110868
Revision Date: September 24, 201

* Max Breakaway determined in laboratory environment on 2" thick SAE1018 Steel with surface roughness 63 micro inches. Many factors contribute to the actual breakaway force in each application. Always test the magswitch in each application before deployment. Refer to the magswitch information booklet for more information.



Part Number 110868
 Revision Date: September 24, 2013



| | | | |
|---|----------|------------|--|
| DATE | 9/5/2013 | DRAWN | |
| DATE | | DESN | |
| DATE | | DWG. CHECK | |
| DATE | | VP. CHECK | |
| DATE | | APPROVED | |
| INTERPRET DRAWING PER: DRAWN ISO 2793-H DIMENSIONS IN MILLIMETERS UNLESS OTHERWISE SPECIFIED THIS INFORMATION IS SUBMITTED TO YOU WITH THE AGREEMENT THAT IT IS NOT TO BE REPRODUCED OR TRANSMITTED IN ANY FORM OR IN WHOLE, NOR IS THE INFORMATION TO BE RELATED TO ANY OTHER INDIVIDUAL OR COMPANY EXCEPT AS MTW FIRST AUTHORIZES IN WRITING. ACCEPTANCE OF THIS DOCUMENT CONSTITUTES AGREEMENT TO THESE RESTRICTIONS. | | | |

| | |
|--|----------------|
| | |
| AR20 NAAMS | |
| SEE | CAGE CODE |
| B | |
| SCALE | 4:5 |
| WEIGHT | 305.40 g |
| DWG. NO. | 8140678 |
| REV. | 03 |
| 8774 VATES DRIVE, SUITE 140 WESTMINSTER, COLORADO 80081 303-468-0627 FAX: 303-951-9918 | |

| | | | |
|---|----------|------------|--|
| DATE | 9/5/2013 | DRAWN | |
| DATE | | DESN | |
| DATE | | DWG. CHECK | |
| DATE | | VP. CHECK | |
| DATE | | APPROVED | |
| INTERPRET DRAWING PER: DRAWN ISO 2793-H DIMENSIONS IN MILLIMETERS UNLESS OTHERWISE SPECIFIED THIS INFORMATION IS SUBMITTED TO YOU WITH THE AGREEMENT THAT IT IS NOT TO BE REPRODUCED OR TRANSMITTED IN ANY FORM OR IN WHOLE, NOR IS THE INFORMATION TO BE RELATED TO ANY OTHER INDIVIDUAL OR COMPANY EXCEPT AS MTW FIRST AUTHORIZES IN WRITING. ACCEPTANCE OF THIS DOCUMENT CONSTITUTES AGREEMENT TO THESE RESTRICTIONS. | | | |

| | |
|--|----------------|
| SCALE | 4:5 |
| WEIGHT | 305.40 g |
| DWG. NO. | 8140678 |
| REV. | 03 |
| 8774 VATES DRIVE, SUITE 140 WESTMINSTER, COLORADO 80081 303-468-0627 FAX: 303-951-9918 | |