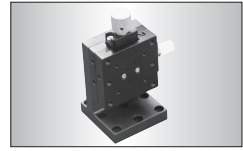
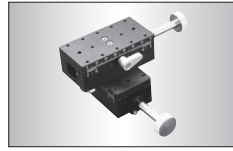
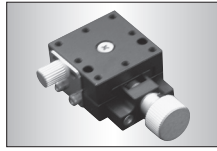


Product Line-Up

Miniature Guide / Cross Roller Slide Guide /
Cross Roller Slide Table / Goniometer Crossed Roller Guide/
Cross Roller Rotary Guide/ Actuator / Motorized Stage /
Manual Stage / Dovetail Stage / Micrometer Head / Support Unit



Dovetail Stage



Screw Type

JLD

JD-25S

JD-243S

JD-311S

JD-312S

JD-310S

JD-43S

JD-44S

JD-48S

JD-55S

JD-60S

JD-66S

Rack & Pinion Type

JD-246P

JD-249P

JD-2411P

JD3-255P

JD3-257P

JD-40P

JD-44P

JD-46P

JD-48P

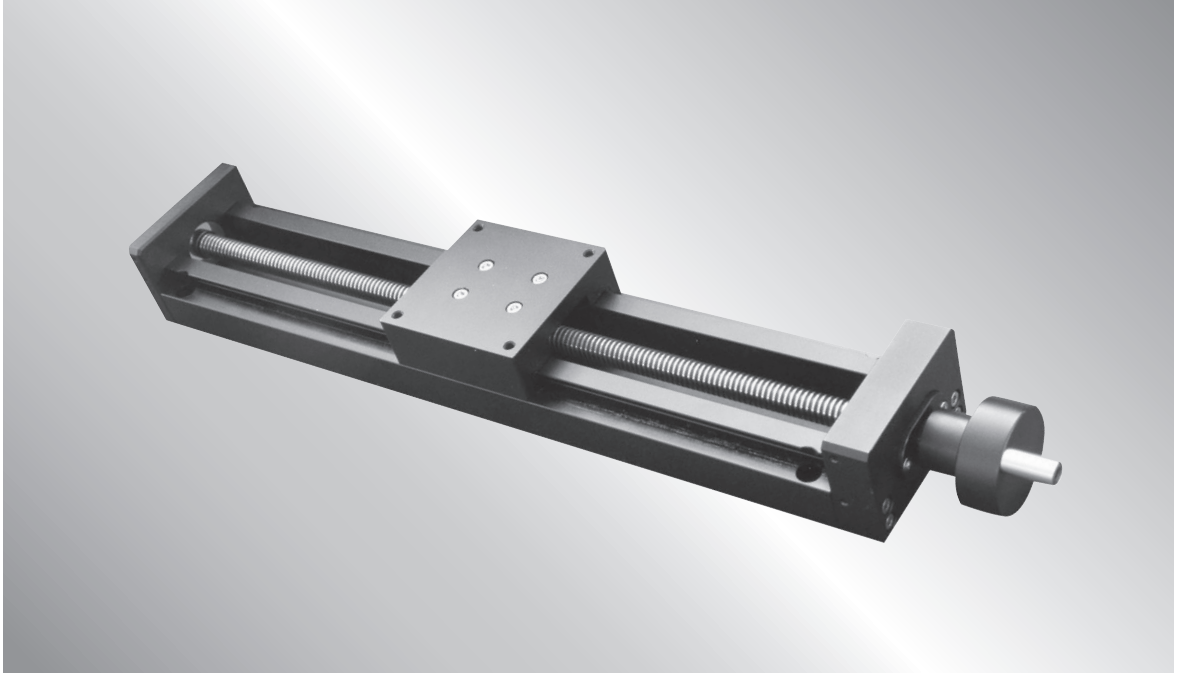
JD-49P

JD-414P

JD-419P

JLD-Series

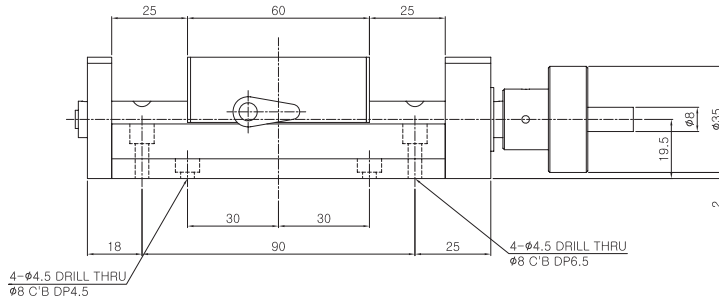
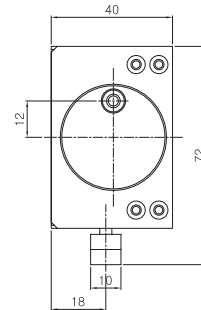
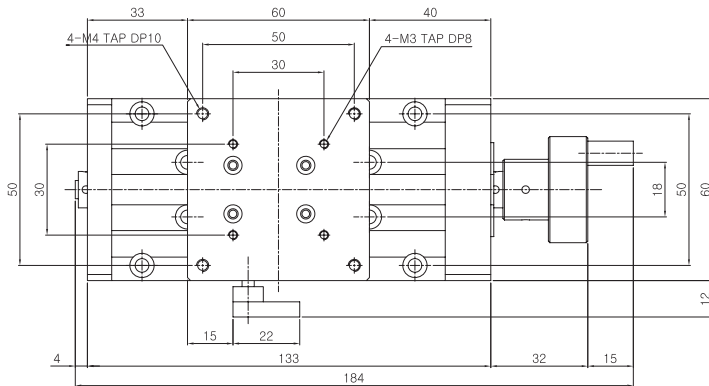
JLD



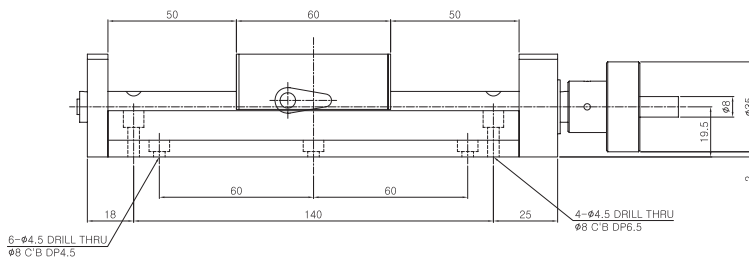
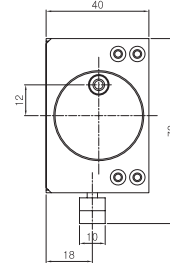
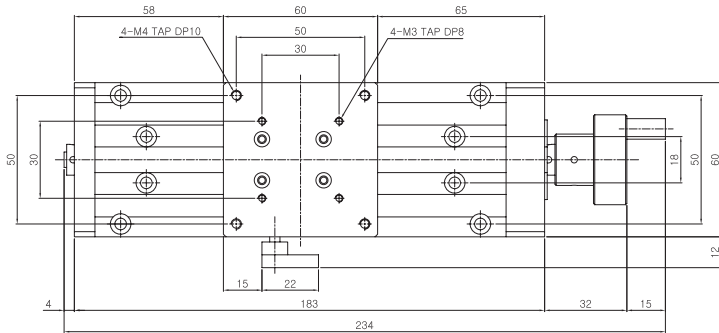
F

Dovetail Stage

Model	JLD-ST50	JLD-ST100
Upper Surface Size	60 x 60mm	60 x 60mm
Travel Range	50mm	100mm
Travel Guide	Dovetail, Screw	
Lead Screw	Ø10, Lead 1.5	
Parallelism	50µm	
Driving Parallelism	60µm	100µm
Load capacity	2.5Kgf	2.5Kgf
Weight	0.74 Kg	0.89 Kg
Material	Aluminum	
Finish Treatment	Black Anodizing	



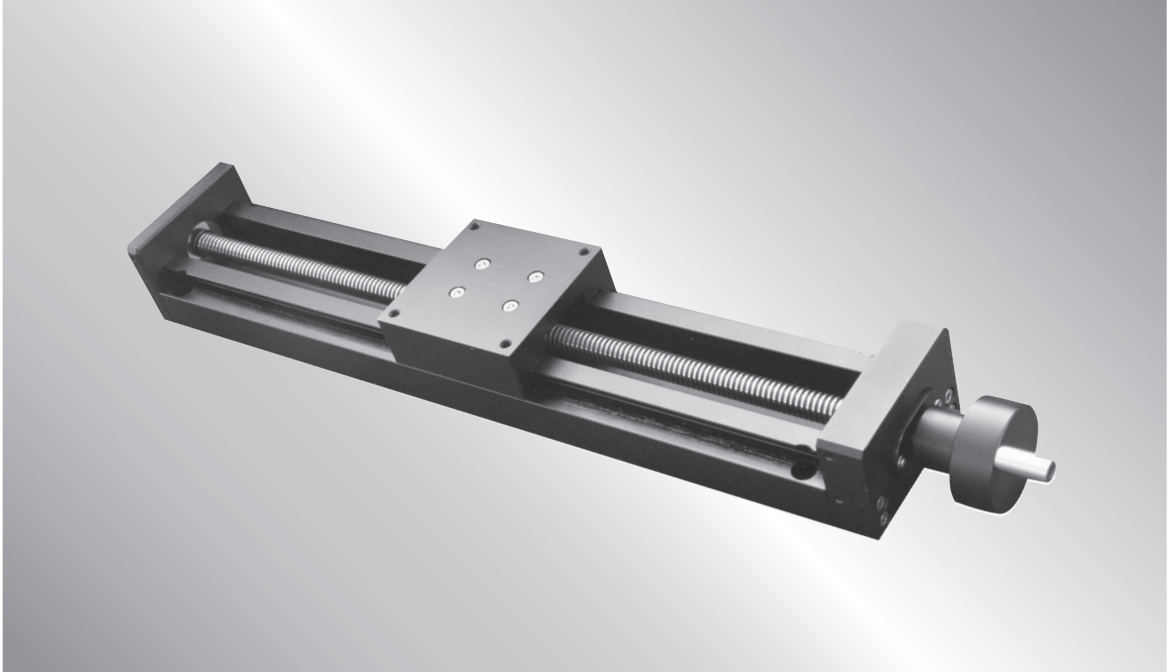
JLD-ST50



JLD-ST100

JLD-Series

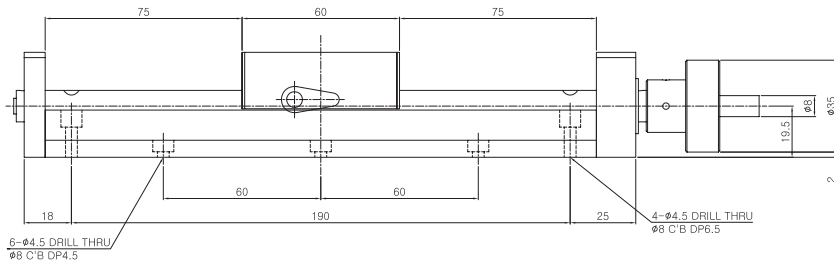
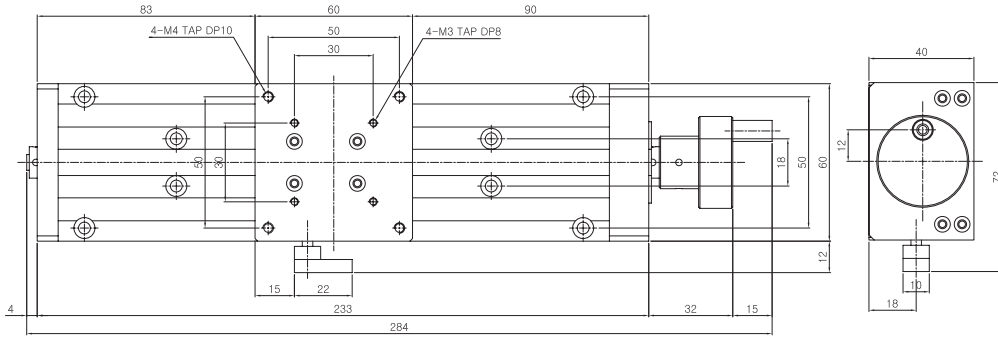
JLD



F

Dovetail Stage

Model	JLD-ST150	JLD-ST200
Upper Surface Size	60 x 60mm	60 x 60mm
Travel Range	150mm	200mm
Travel Guide	Dovetail, Screw	
Lead Screw	Ø10, Lead 1.5	
Parallelism	50µm	
Driving Parallelism	60µm	100µm
Load capacity	2.5Kgf	2.5Kgf
Weight	1.04 Kg	1.19 Kg
Material	Aluminum	
Finish Treatment	Black Anodizing	

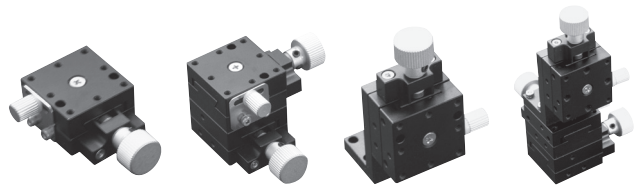


JLD-ST150

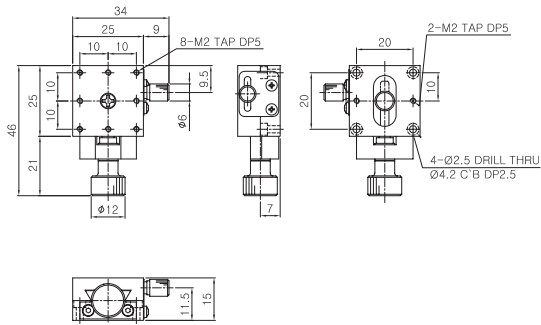
JLD-ST200

F
Dovetail Stage

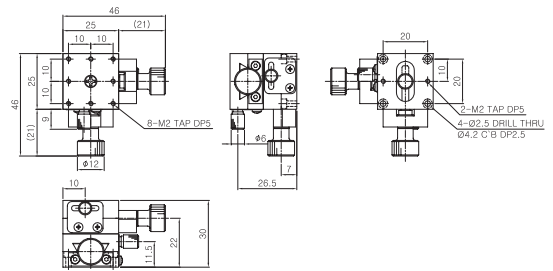
JD-25S



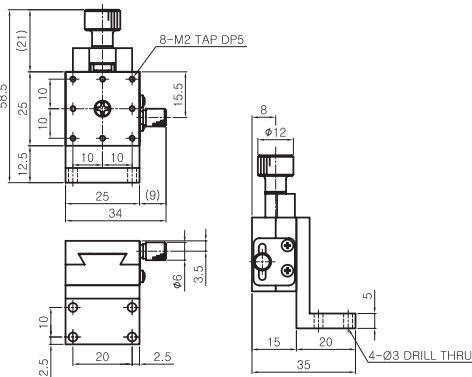
JD1-25S



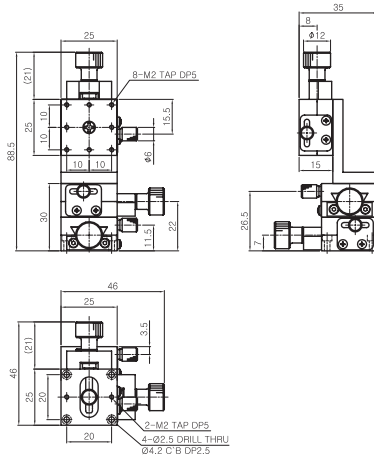
JD2-25S



JD3-25S



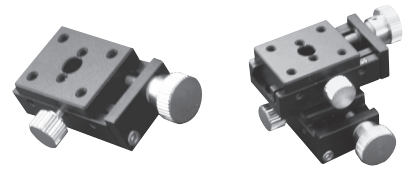
JD4-25S



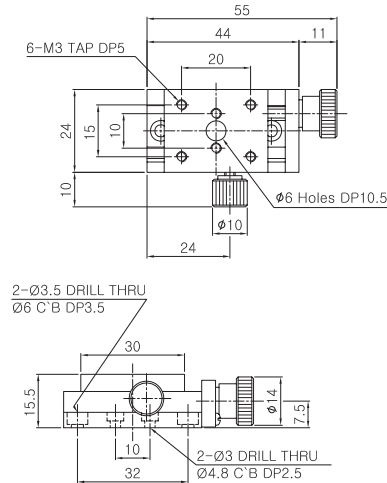
F Dovetail Stage

Model	JD1-25S	JD2-25S	JD3-25S	JD4-25S
Surface Size	25 x 25 mm	25 x 25 mm	25 x 25 mm	25 x 25 mm
Travel Range	±4 mm	±4 mm	±4 mm	±4 mm
Travel Guide	Dovetail , Screw	Dovetail , Screw	Dovetail , Screw	Dovetail , Screw
Readable Resolution	0.1mm / Vernier	0.1mm / Vernier	0.1mm / Vernier	0.1mm / Vernier
Parallelism	30µm	50µm	40µm	50µm
Driving Parallelism	30µm	30µm	30µm	30µm
Load Capacity	2.0kgf	1.8kgf	1.5kgf	1.5kgf
Base Plate	X	X	X	X
Weight	0.1kg	0.2kg	0.12kg	0.32kg
Material	Aluminum	Aluminum	Aluminum	Aluminum
Finish Treatment	Black Anodizing	Black Anodizing	Black Anodizing	Black Anodizing

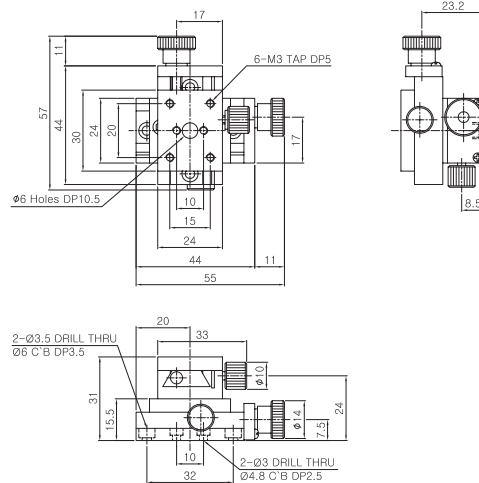
JD-243S



JD1-243S

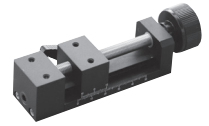


JD2-243S

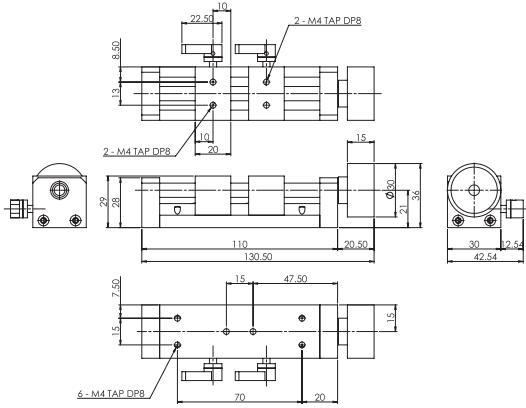


Model	JD1-243S	JD2-243S
Surface Size	24 x 30 mm	24 x 30 mm
Travel Range	±5 mm	±5 mm
Travel Guide	Dovetail , Screw	Dovetail , Screw
Readable Resolution	0.1mm / Vernier	0.1mm / Vernier
Parallelism	30µm	50µm
Driving Parallelism	30µm	30µm
Load Capacity	2.0kgf	1.8kgf
Base Plate	X	X
Weight	0.12kg	0.24kg
Material	Aluminum	Aluminum
Finish Treatment	Black Anodizing	Black Anodizing

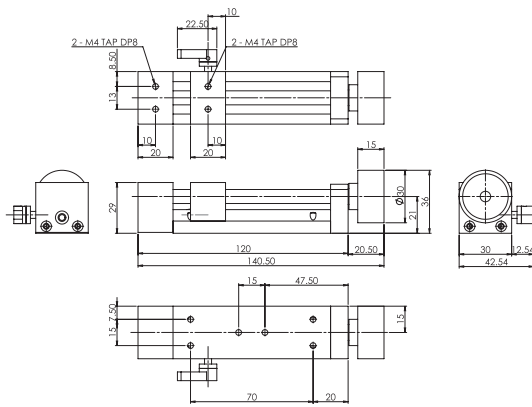
JD-311S/ JD-312S/ JD-310S



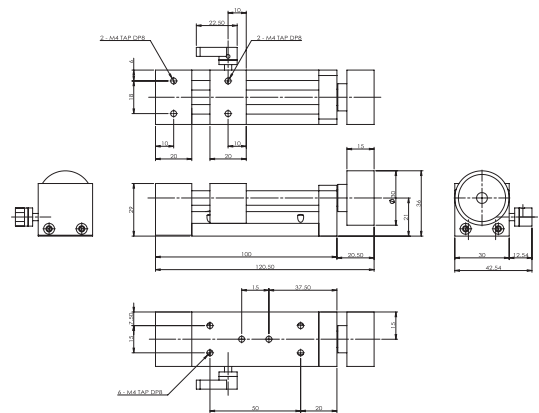
JD-311S



JD-312S



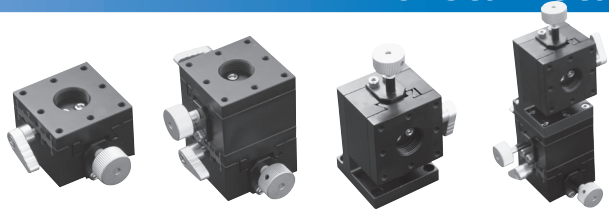
JD-310S



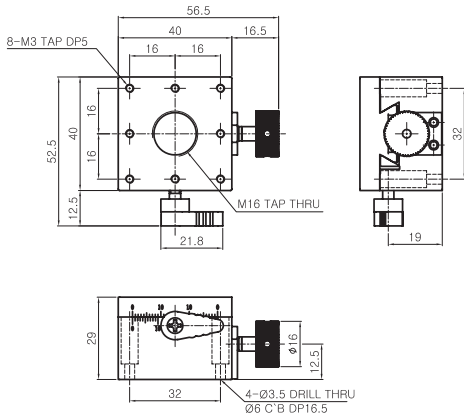
Model	JD-311S(BI-Directional)	JD-312S	JD-310S
Upper Surface Size	20 x 30mm	20 x 30mm	20 x 30mm
Travel Range	L25mm, R25mm	70mm	50mm
Travel Guide	Dovetail, Screw		
Readable Resolution	0.1mm / Vernier		
Parallelism	40µm		
Driving Parallelism	30µm		
Load capacity	3Kgf		
Weight	0.3 Kg		
Material	Aluminum		
Finish Treatment	Black Anodizing		

F Dovetail Stage

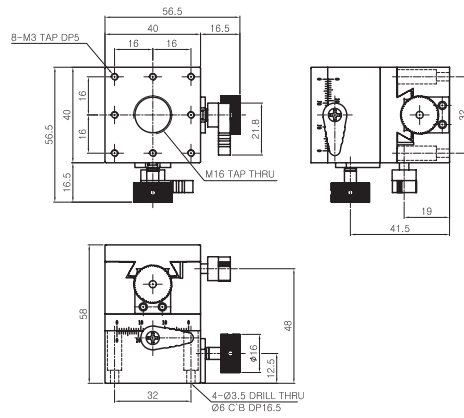
JD-43S



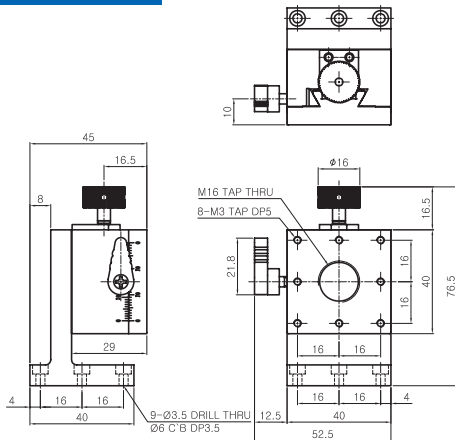
JD1-43S



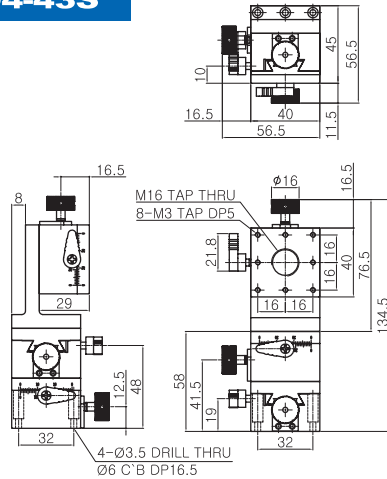
JD2-43S



JD3-43S

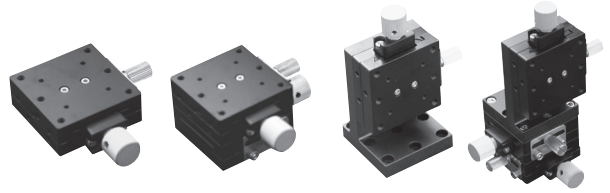


JD4-43S

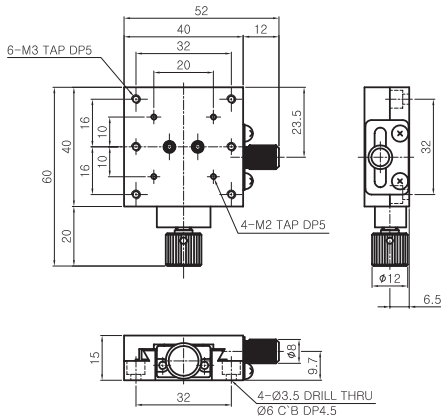


Model	JD1-43S	JD2-43S	JD3-43S	JD4-43S
Surface Size	40 x 40 mm	40 x 40 mm	40 x 40 mm	40 x 40 mm
Travel Range	±10 mm	±10 mm	±10 mm	±10 mm
Travel Guide	Dovetail , Screw	Dovetail , Screw	Dovetail , Screw	Dovetail , Screw
Readable Resolution	0.1mm / Vernier	0.1mm / Vernier	0.1mm / Vernier	0.1mm / Vernier
Parallelism	40μm	60μm	50μm	120μm
Driving Parallelism	30μm	30μm	30μm	30μm
Load Capacity	3.0kgf	2.8kgf	1.5kgf	1.5kgf
Base Plate	X	X	X	X
Weight	0.18kg	0.36kg	0.2kg	0.56kg
Material	Aluminum	Aluminum	Aluminum	Aluminum
Finish Treatment	Black Anodizing	Black Anodizing	Black Anodizing	Black Anodizing

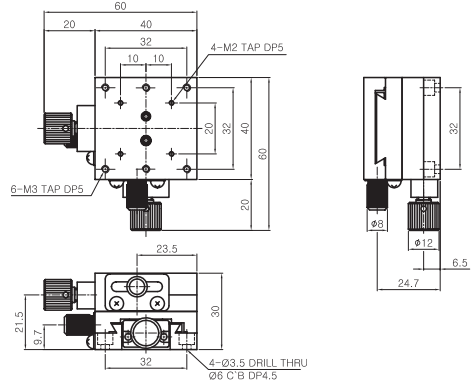
JD-44S



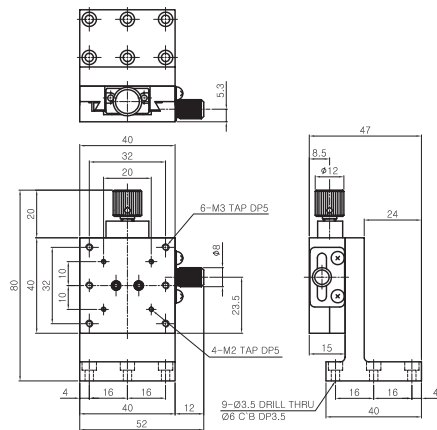
JD1-44S



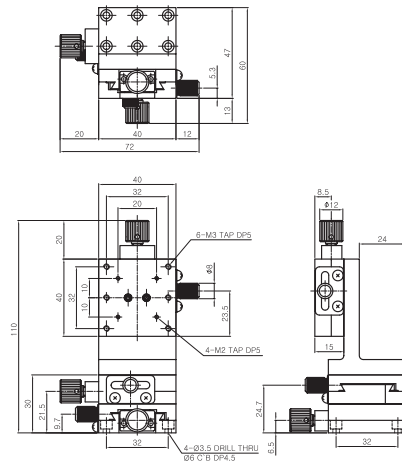
JD2-44S



JD3-44S



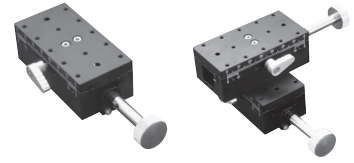
JD4-44S



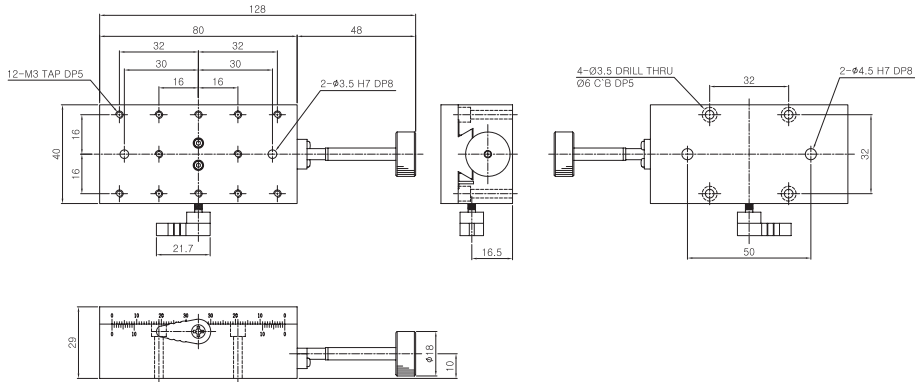
Model	JD1-44S	JD2-44S	JD3-44S	JD4-44S
Surface Size	40 x 40 mm	40 x 40 mm	40 x 40 mm	40 x 40 mm
Travel Range	±10 mm	±10 mm	±10 mm	±10 mm
Travel Guide	Dovetail , Screw	Dovetail , Screw	Dovetail , Screw	Dovetail , Screw
Readable Resolution	0.1mm / Vernier	0.1mm / Vernier	0.1mm / Vernier	0.1mm / Vernier
Parallelism	40µm	60µm	50µm	120µm
Driving Parallelism	30µm	30µm	30µm	30µm
Load Capacity	3.0kgf	2.8kgf	1.5kgf	1.5kgf
Base Plate	X	X	X	X
Weight	0.15kg	0.3kg	0.17kg	0.47kg
Material	Aluminum	Aluminum	Aluminum	Aluminum
Finish Treatment	Black Anodizing	Black Anodizing	Black Anodizing	Black Anodizing

F Dovetail Stage

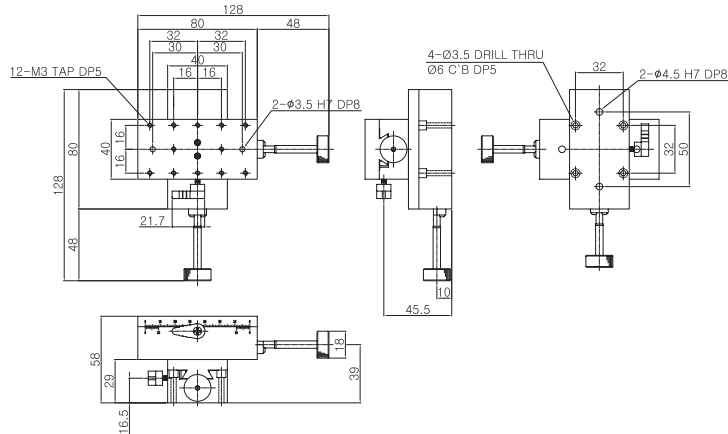
JD-48S



JD1-48S

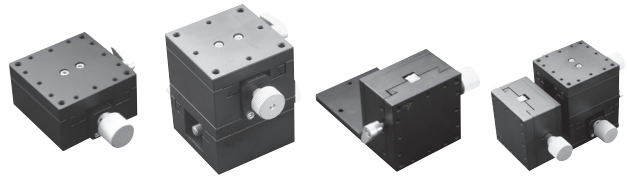


JD2-48S

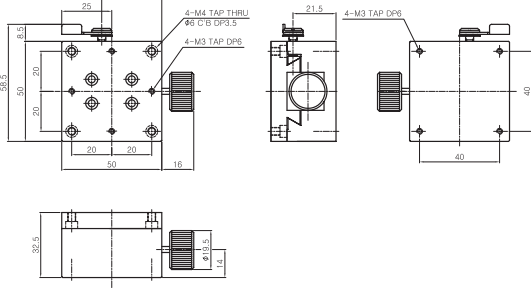


Model	JD1-48S	JD2-48S
Surface Size	40 x 80 mm	40 x 80 mm
Travel Range	±25 mm	±25 mm
Travel Guide	Dovetail , Screw	Dovetail , Screw
Readable Resolution	0.1mm / Vernier	0.1mm / Vernier
Parallelism	40µm	60µm
Driving Parallelism	30µm	30µm
Load Capacity	4.0kgf	3.7kgf
Base Plate	X	X
Weight	0.2kg	0.4kg
Material	Aluminum	Aluminum
Finish Treatment	Black Anodizing	Black Anodizing

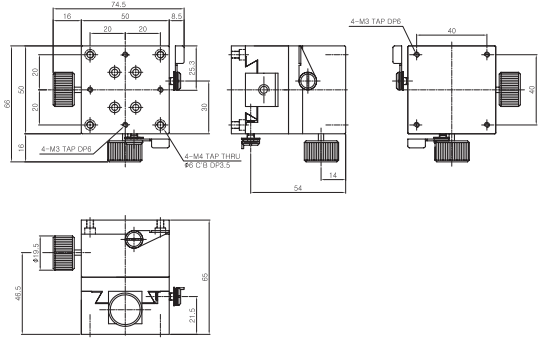
JD-55S



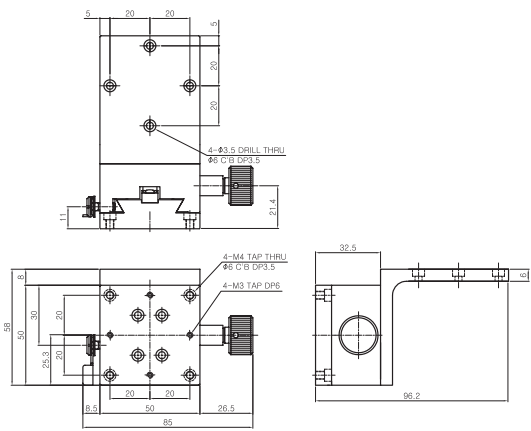
JD1-55S



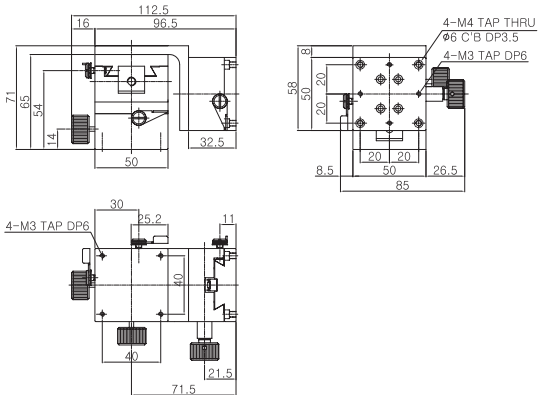
JD2-55S



JD3-55S



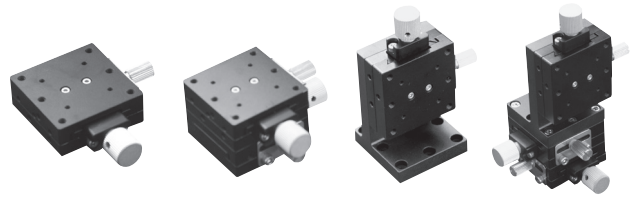
JD4-55S



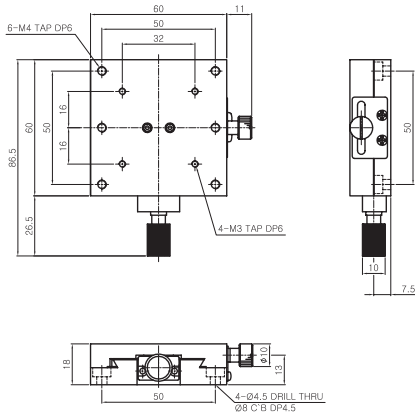
F
Dovetail Stage

Model	JD1-55S	JD2-55S	JD3-55S	JD4-55S
Surface Size	50 x 50 mm	50 x 50 mm	50 x 50 mm	50 x 50 mm
Travel Range	±10 mm	±10 mm	±10 mm	±10 mm
Travel Guide	Dovetail , Screw	Dovetail , Screw	Dovetail , Rack & Pinion	Dovetail , Screw + Rack & Pinion
Readable Resolution	0.1mm / Vernier	0.1mm / Vernier	0.1mm / Vernier	0.1mm / Vernier
Parallelism	50µm	70µm	60µm	130µm
Driving Parallelism	30µm	30µm	30µm	30µm
Load Capacity	4.0kgf	3.7kgf	1.5kgf	1.5kgf
Base Plate	X	X	X	X
Weight	0.22kg	0.44kg	0.24kg	0.68kg
Material	Aluminum	Aluminum	Aluminum	Aluminum
Finish Treatment	Black Anodizing	Black Anodizing	Black Anodizing	Black Anodizing

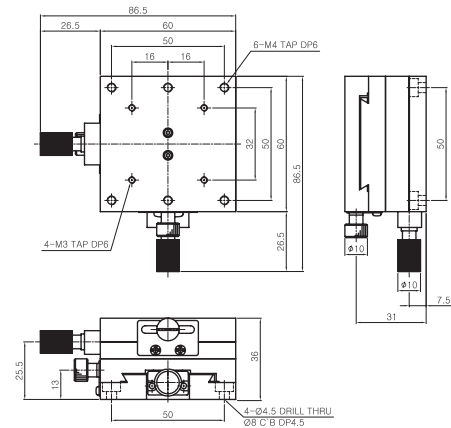
JD-60S



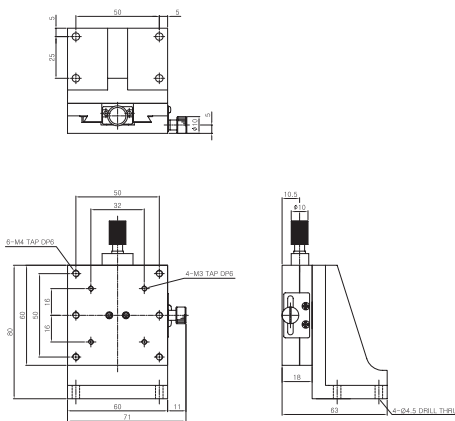
JD1-60S



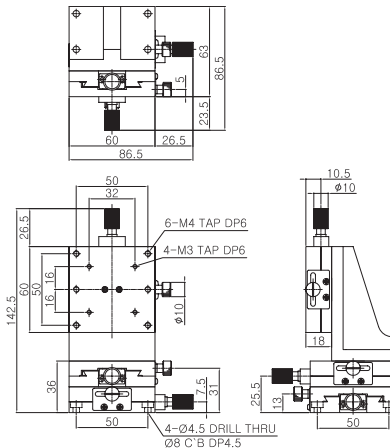
JD2-60S



JD3-60S

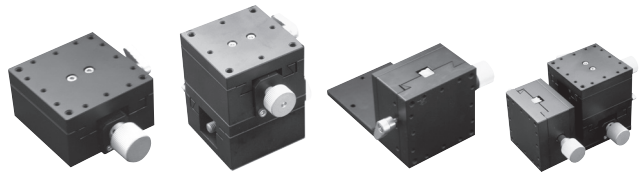


JD4-60S

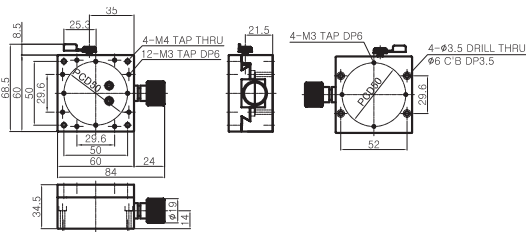


Model	JD1-60S	JD2-60S	JD3-60S	JD4-60S
Surface Size	60 x 60 mm	60 x 60 mm	60 x 60 mm	60 x 60 mm
Travel Range	±15 mm	±15 mm	±15 mm	±15 mm
Travel Guide	Dovetail , Screw	Dovetail , Screw	Dovetail , Screw	Dovetail , Screw
Readable Resolution	0.1mm / Vernier	0.1mm / Vernier	0.1mm / Vernier	0.1mm / Vernier
Parallelism	50µm	70µm	60µm	130µm
Driving Parallelism	30µm	30µm	30µm	30µm
Load Capacity	4.0kgf	3.7kgf	1.5kgf	1.5kgf
Base Plate	X	X	X	X
Weight	0.2kg	0.4kg	0.22kg	0.62kg
Material	Aluminum	Aluminum	Aluminum	Aluminum
Finish Treatment	Black Anodizing	Black Anodizing	Black Anodizing	Black Anodizing

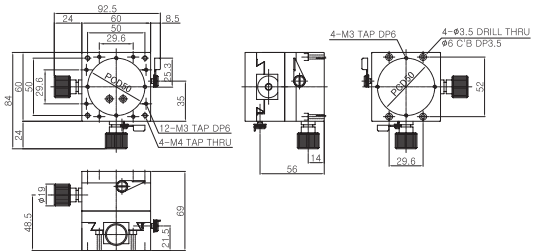
JD-66S



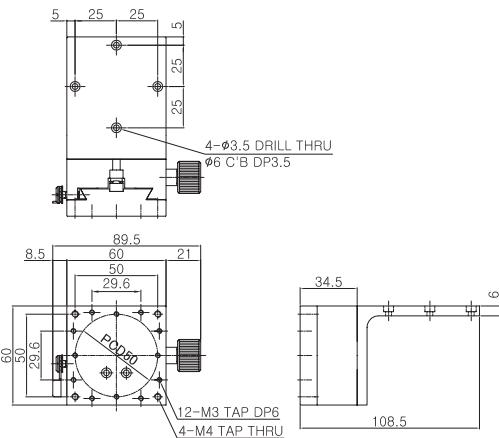
JD1-66S



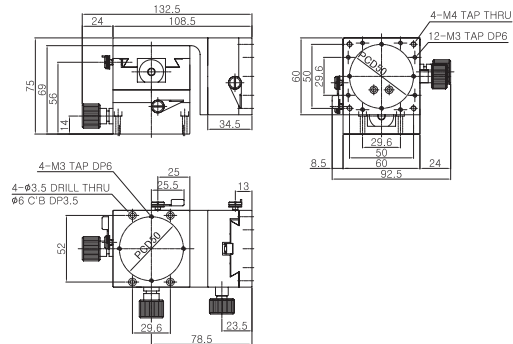
JD2-66S



JD3-66S



JD4-66S

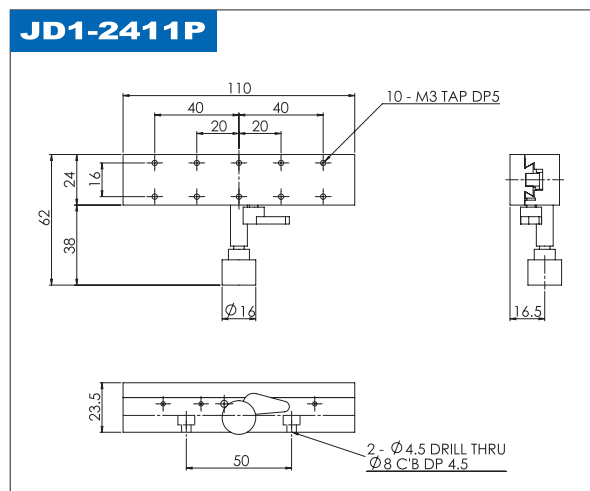
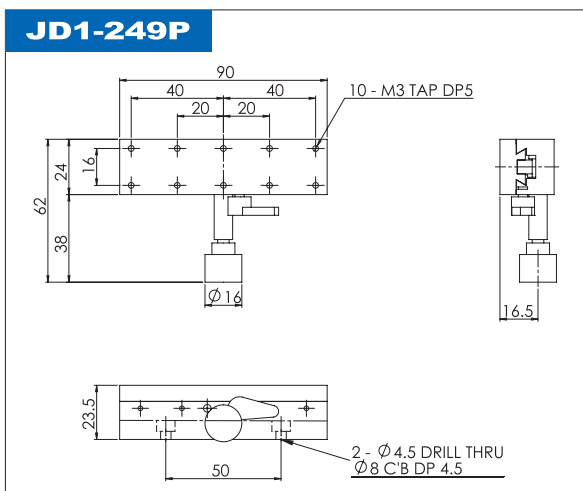
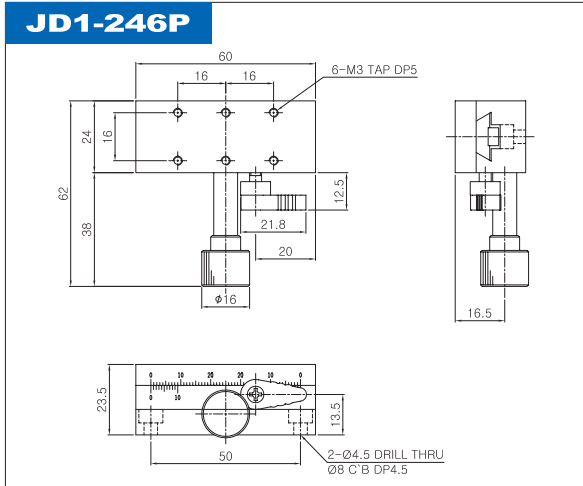
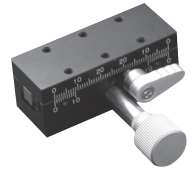


F

Dovetail Stage

Model	JD1-66S	JD2-66S	JD3-66S	JD4-66S
Surface Size	60 x 60 mm	60 x 60 mm	60 x 60 mm	60 x 60 mm
Travel Range	±15 mm	±15 mm	±15 mm	±15 mm
Travel Guide	Dovetail , Screw	Dovetail , Screw	Dovetail , Rack & Pinion	Dovetail , Screw + Rack & Pinion
Readable Resolution	0.1mm / Vernier	0.1mm / Vernier	0.1mm / Vernier	0.1mm / Vernier
Parallelism	50µm	70µm	60µm	130µm
Driving Parallelism	30µm	30µm	30µm	30µm
Load Capacity	4.0kgf	3.7kgf	1.5kgf	1.5kgf
Base Plate	X	X	X	X
Weight	0.3kg	0.6kg	0.33kg	0.93kg
Material	Aluminum	Aluminum	Aluminum	Aluminum
Finish Treatment	Black Anodizing	Black Anodizing	Black Anodizing	Black Anodizing

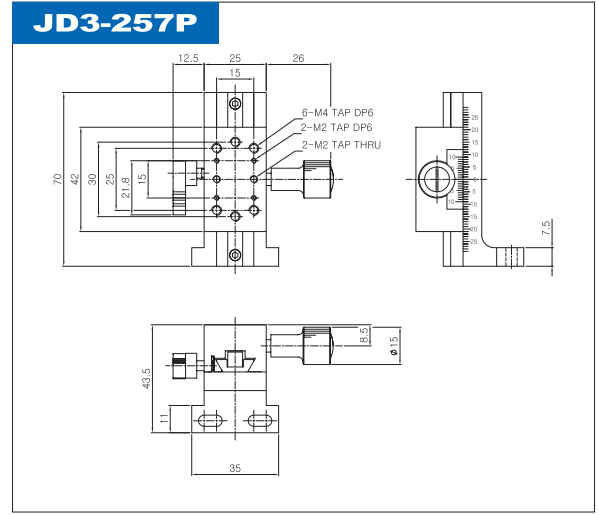
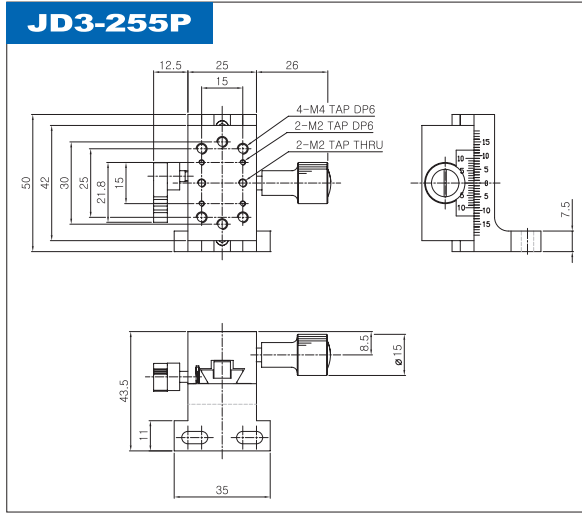
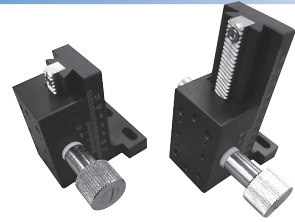
JD-246P, 249P, 2411P



Model	JD1-246P	JD1-249P	JD1-2411P
Surface Size	24 x 60 mm	24 x 90 mm	24 x 110 mm
Travel Range	±20 mm	±30 mm	±40 mm
Travel Guide	Dovetail , Rack & Pinion		
Readable Resolution	0.1mm / Vernier		
Parallelism	40µm		
Driving Parallelism	30µm		
Load Capacity	1.5kgf	1.5kgf	1.5kgf
Base Plate	X		
Weight	0.1kg	0.15kg	0.2kg
Material	Aluminum	Aluminum	Aluminum
Finish Treatment	Black Anodizing	Black Anodizing	Black Anodizing

F
Dovetail Stage

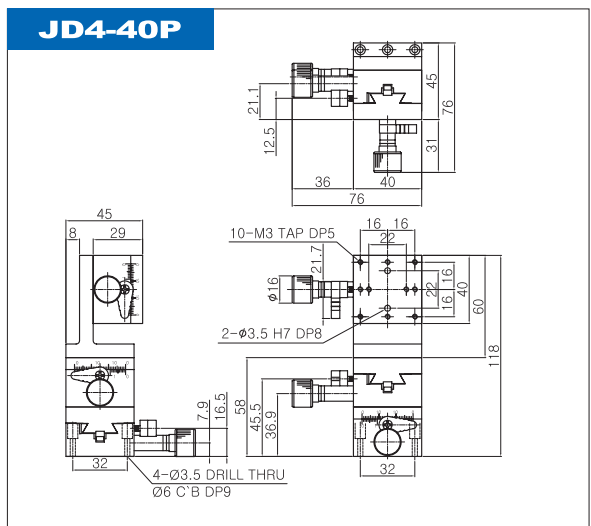
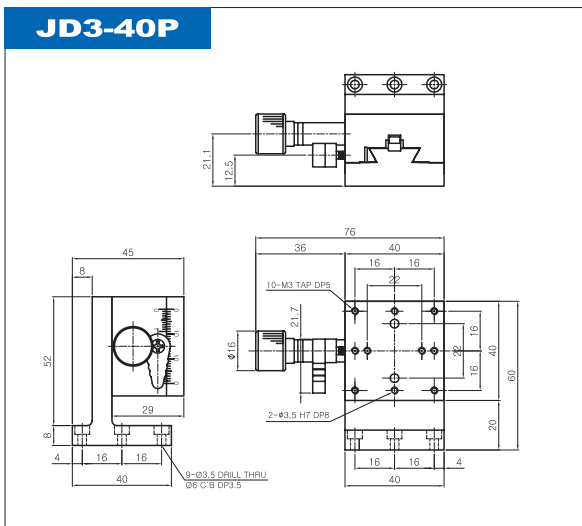
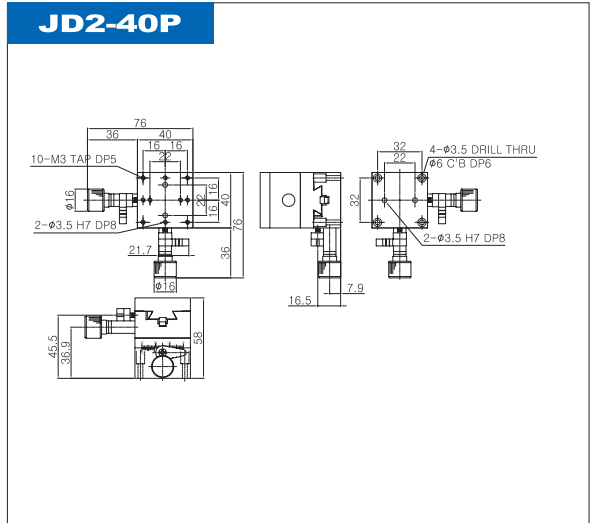
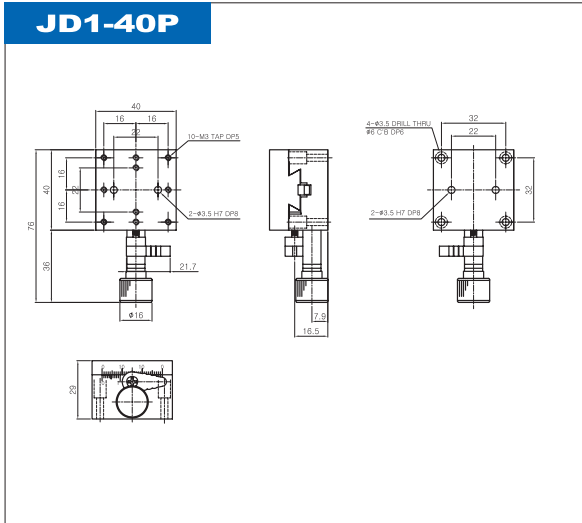
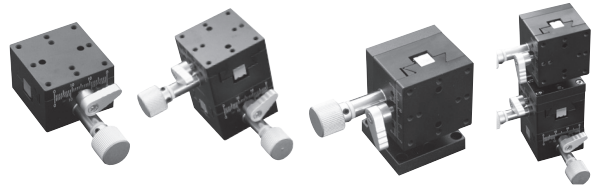
JD3-255P/ JD3-257P



F
Dovetail Stage

Model	JD3-255P	JD3-257P
Surface Size	25 x 50 mm	25 x 70 mm
Travel Range	± 15 mm	± 25 mm
Travel Guide	Dovetail , Rack & Pinion	
Readable Resolution	0.1mm / Vernier	
Parallelism	40µm	
Driving Parallelism	30µm	
Load Capacity	0.120kgf	0.135kgf
Base Plate	X	
Weight	0.12kg	0.13kg
Material	Aluminum	Aluminum
Finish Treatment	Black Anodizing	Black Anodizing

JD-40P



F

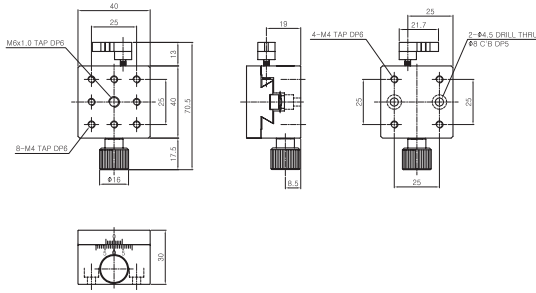
Dovetail Stage

Model	JD1-40P	JD2-40P	JD3-40P	JD4-40P
Surface Size	40 x 40 mm	40 x 40 mm	40 x 40 mm	40 x 40 mm
Travel Range	±10 mm	±10 mm	±10 mm	±10 mm
Travel Guide	Dovetail , Rack & Pinion	Dovetail , Rack & Pinion	Dovetail , Rack & Pinion	Dovetail , Rack & Pinion
Readable Resolution	0.1mm / Vernier	0.1mm / Vernier	0.1mm / Vernier	0.1mm / Vernier
Parallelism	40µm	70µm	50µm	120µm
Driving Parallelism	30µm	30µm	30µm	30µm
Load Capacity	2.5kgf	2.3kgf	1.5kgf	1.5kgf
Base Plate	X	X	X	X
Weight	0.15kg	0.3kg	0.17kg	0.47kg
Material	Aluminum	Aluminum	Aluminum	Aluminum
Finish Treatment	Black Anodizing	Black Anodizing	Black Anodizing	Black Anodizing

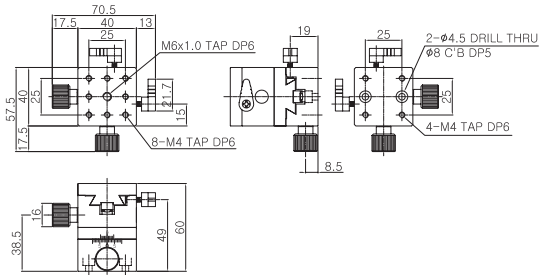
JD-44P



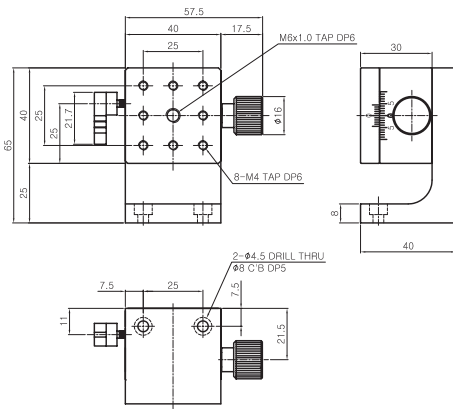
JD1-44P



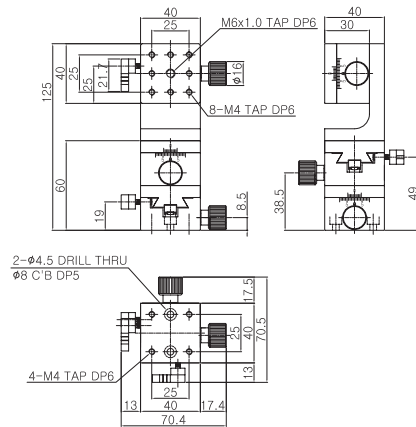
JD2-44P



JD3-44P



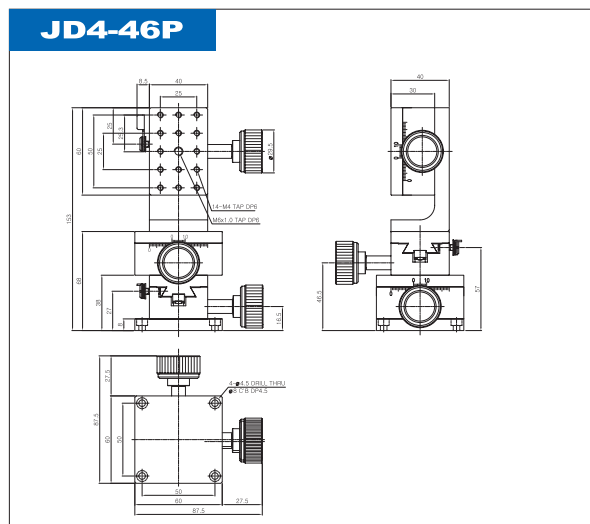
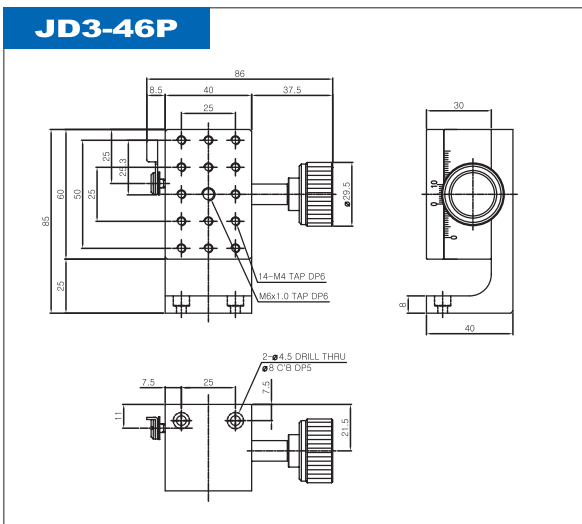
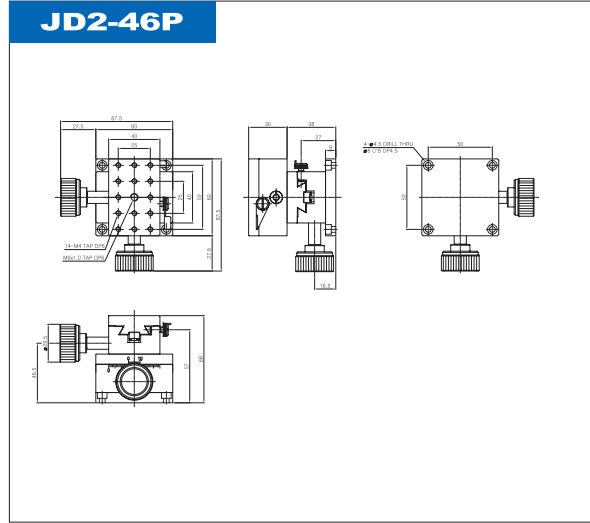
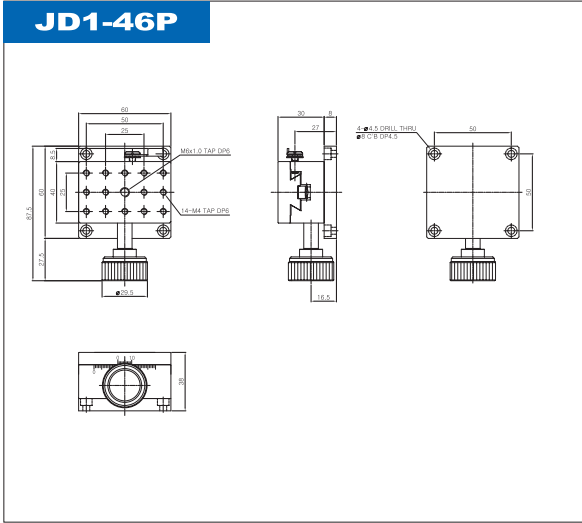
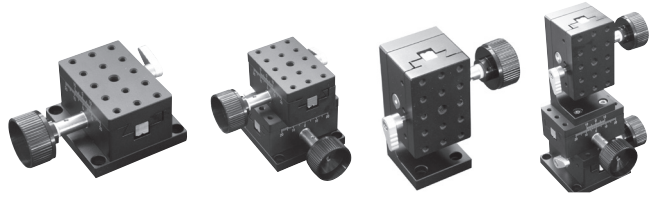
JD4-44P



Model	JD1-44P	JD2-44P	JD3-44P	JD4-44P
Surface Size	40 x 40 mm	40 x 40 mm	40 x 40 mm	40 x 40 mm
Travel Range	±10 mm	±10 mm	±10 mm	±10 mm
Travel Guide	Dovetail , Rack & Pinion	Dovetail , Rack & Pinion	Dovetail , Rack & Pinion	Dovetail , Rack & Pinion
Readable Resolution	0.1mm / Vernier	0.1mm / Vernier	0.1mm / Vernier	0.1mm / Vernier
Parallelism	40µm	70µm	50µm	120µm
Driving Parallelism	30µm	30µm	30µm	30µm
Load Capacity	2.5kgf	2.3kgf	1.5kgf	1.5kgf
Base Plate	X	X	X	X
Weight	0.15kg	0.3kg	0.17kg	0.47kg
Material	Aluminum	Aluminum	Aluminum	Aluminum
Finish Treatment	Black Anodizing	Black Anodizing	Black Anodizing	Black Anodizing

F Dovetail Stage

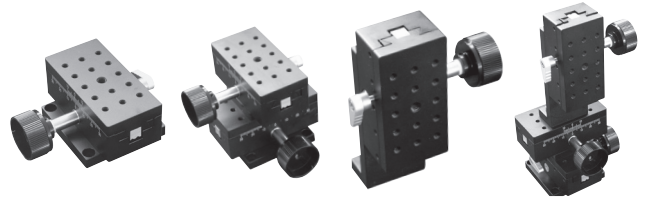
JD-46P



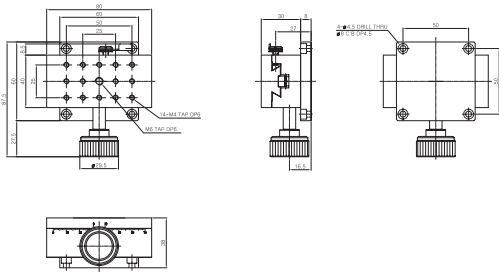
Model	JD1-46P	JD2-46P	JD3-46P	JD4-46P
Surface Size	40 x 60 mm	40 x 60 mm	40 x 60 mm	40 x 60 mm
Travel Range	±20 mm	±20 mm	±20 mm	±20 mm
Travel Guide	Dovetail , Rack & Pinion	Dovetail , Rack & Pinion	Dovetail , Rack & Pinion	Dovetail , Rack & Pinion
Readable Resolution	0.1mm / Vernier	0.1mm / Vernier	0.1mm / Vernier	0.1mm / Vernier
Parallelism	40µm	70µm	50µm	120µm
Driving Parallelism	30µm	30µm	30µm	30µm
Load Capacity	3kgf	2.7kgf	1.5kgf	1.5kgf
Base Plate	0	0	X	0
Weight	0.28kg	0.56kg	0.3kg	0.86kg
Material	Aluminum	Aluminum	Aluminum	Aluminum
Finish Treatment	Black Anodizing	Black Anodizing	Black Anodizing	Black Anodizing

F
Dovetail Stage

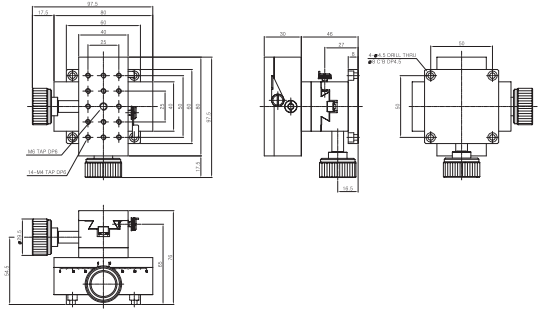
JD-48P



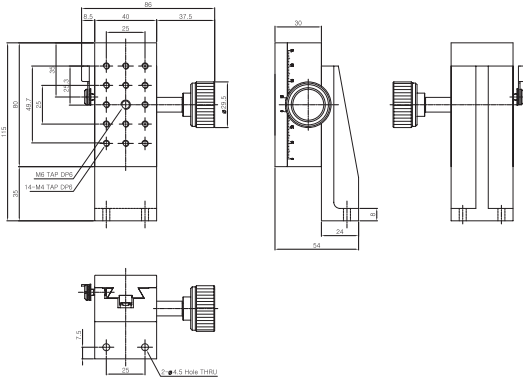
JD1-48P



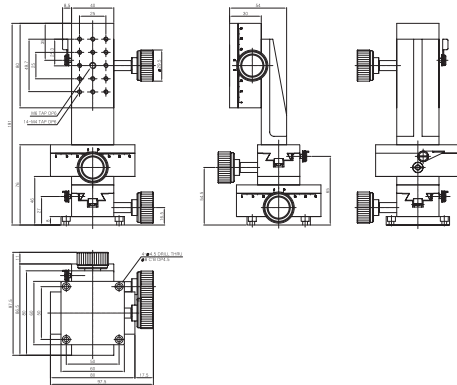
JD2-48P



JD3-48P



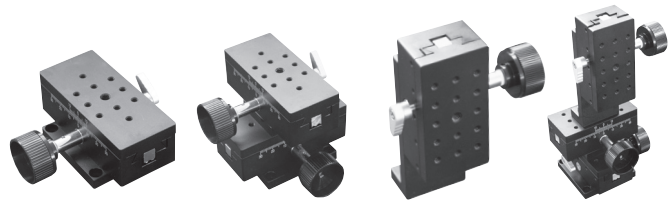
JD4-48P



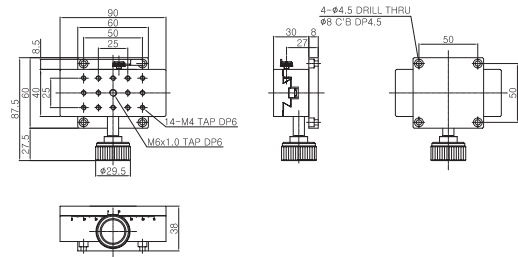
F Dovetail Stage

Model	JD1-48P	JD2-48P	JD3-48P	JD4-48P
Surface Size	40 x 80 mm	40 x 80 mm	40 x 80 mm	40 x 80 mm
Travel Range	±25 mm	±25 mm	±25 mm	±25 mm
Travel Guide	Dovetail , Rack & Pinion	Dovetail , Rack & Pinion	Dovetail , Rack & Pinion	Dovetail , Rack & Pinion
Readable Resolution	0.1mm / Vernier	0.1mm / Vernier	0.1mm / Vernier	0.1mm / Vernier
Parallelism	50µm	80µm	60µm	130µm
Driving Parallelism	30µm	30µm	30µm	30µm
Load Capacity	3.8kgf	3.5kgf	1.5kgf	1.5kgf
Base Plate	O	O	X	O
Weight	0.34kg	0.68kg	0.36kg	1.04kg
Material	Aluminum	Aluminum	Aluminum	Aluminum
Finish Treatment	Black Anodizing	Black Anodizing	Black Anodizing	Black Anodizing

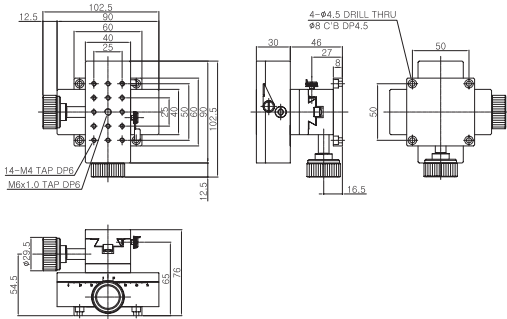
JD-49P



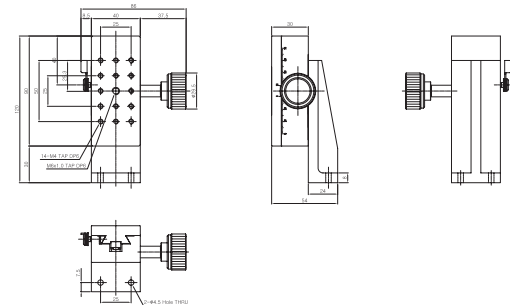
JD1-49P



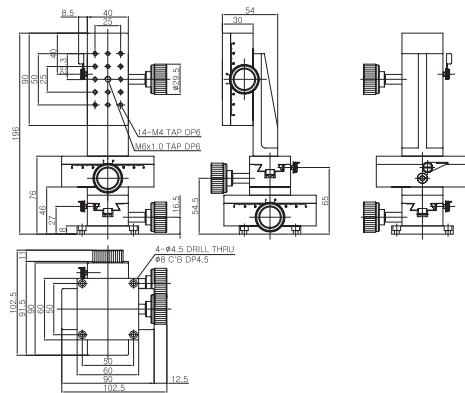
JD2-49P



JD3-49P

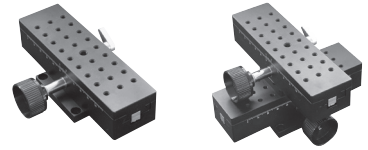


JD4-49P

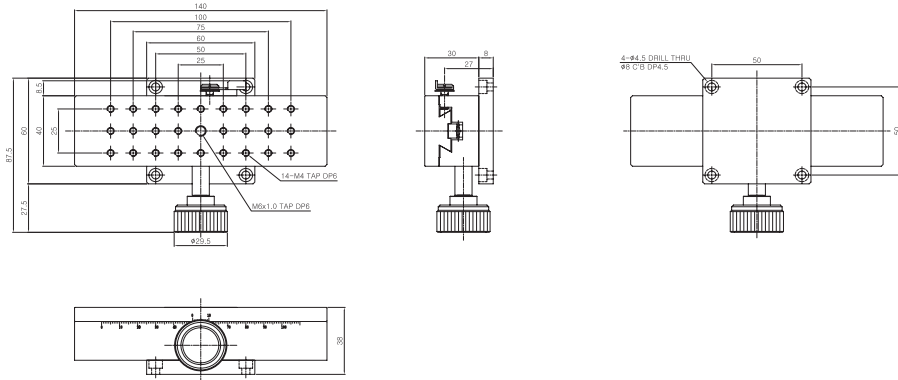


Model	JD1-49P	JD2-49P	JD3-49P	JD4-49P
Surface Size	40 x 90 mm	40 x 90 mm	40 x 90 mm	40 x 90 mm
Travel Range	±30 mm	±30 mm	±30 mm	±30 mm
Travel Guide	Dovetail , Rack & Pinion	Dovetail , Rack & Pinion	Dovetail , Rack & Pinion	Dovetail , Rack & Pinion
Readable Resolution	0.1mm / Vernier	0.1mm / Vernier	0.1mm / Vernier	0.1mm / Vernier
Parallelism	50µm	80µm	60µm	130µm
Driving Parallelism	30µm	30µm	30µm	30µm
Load Capacity	4kgf	3.7kgf	1.5kgf	1.5kgf
Base Plate	O	O	X	O
Weight	0.36kg	0.72kg	0.38kg	1.1kg
Material	Aluminum	Aluminum	Aluminum	Aluminum
Finish Treatment	Black Anodizing	Black Anodizing	Black Anodizing	Black Anodizing

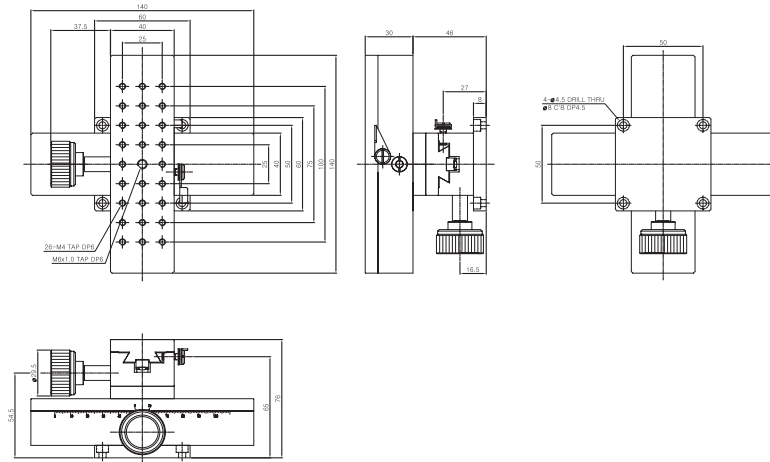
JD-414P



JD1-414P



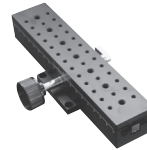
JD2-414P



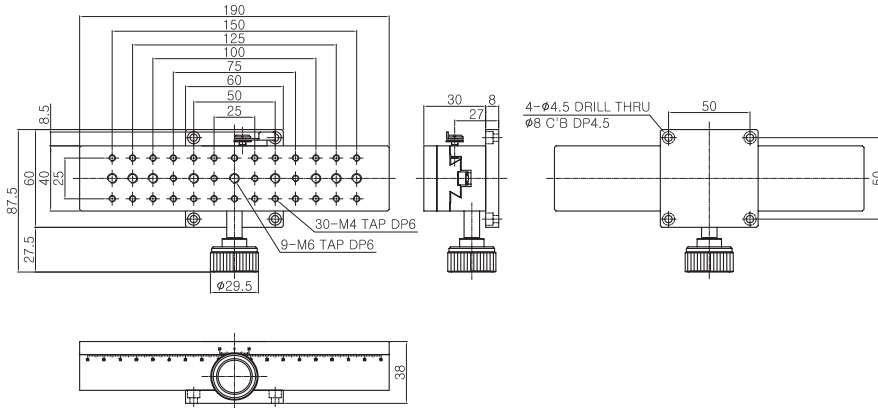
Model	JD1-414P	JD2-414P
Surface Size	40 x 140 mm	40 x 140 mm
Travel Range	±50 mm	±50 mm
Travel Guide	Dovetail , Rack & Pinion	Dovetail , Rack & Pinion
Readable Resolution	0.1mm / Vernier	0.1mm / Vernier
Parallelism	80µm	100µm
Driving Parallelism	30µm	30µm
Load Capacity	4kgf	3.7kgf
Base Plate	O	O
Weight	0.55kg	1.1kg
Material	Aluminum	Aluminum
Finish Treatment	Black Anodizing	Black Anodizing

F Dovetail Stage

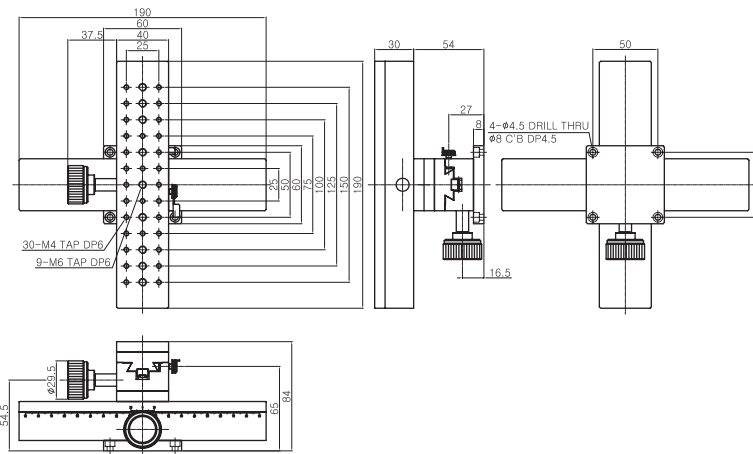
JD-419P



JD1-419P

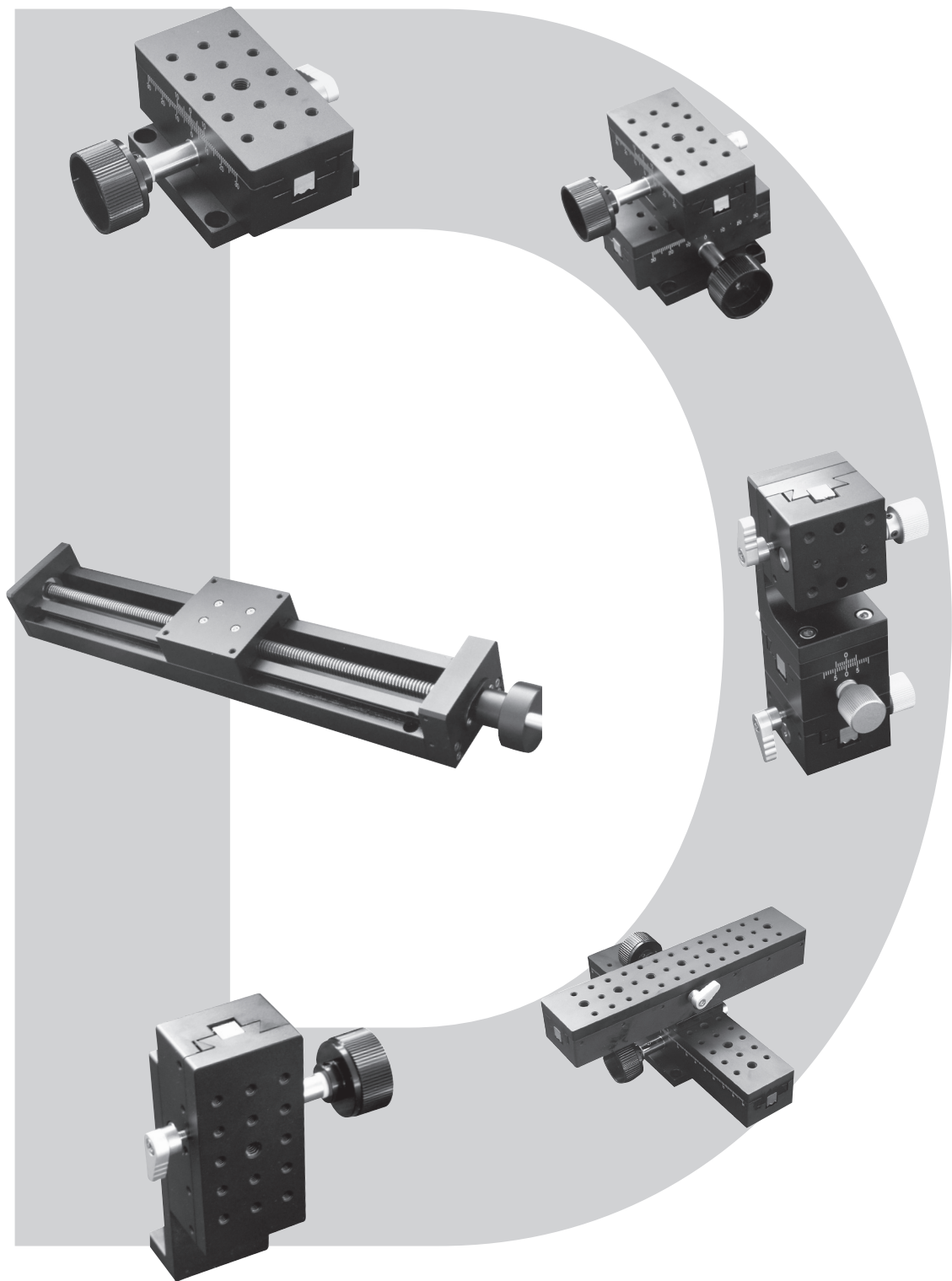


JD2-419P



Model	JD1-419P	JD2-419P
Surface Size	40 x 190 mm	40 x 190 mm
Travel Range	±80 mm	±80 mm
Travel Guide	Dovetail , Rack & Pinion	Dovetail , Rack & Pinion
Readable Resolution	0.1mm / Vernier	0.1mm / Vernier
Parallelism	100µm	140µm
Driving Parallelism	30µm	30µm
Load Capacity	5kgf	4.7kgf
Base Plate	O	O
Weight	1kg	2kg
Material	Aluminum	Aluminum
Finish Treatment	Black Anodizing	Black Anodizing

F
Dovetail Stage



F

Dovetail Stage

본 카다로그의 사양수치는 끊임없는 연구 개발에 의하여 예고 없이 변경되는 경우도 있습니다.

2016. 04. 개정판

Miniature Guide / Cross Roller Slide Guide /
Cross Roller Slide Table / Goniometer Crossed Roller Guide/
Cross Roller Rotary Guide/ Actuator / Motorized Stage /
Manual Stage / Dovetail Stage / Micrometer Head / Support Unit



주식회사 멘토

본사 : 인천시 남동구 논현동 23-1 T. +82_32_325_2063/4 F. +82_32_321_0104
#23-1 Nonhyeon-dong, Namdong-gu, Incheon, 405-847, Korea

공장 : 경기도 김포시 대곶면 거물대리 70-18 T. +82_31_989_5606 F. +82_31_998-1606
70-18 Geomuldae-ri, Daegot-myeon, Gimpo-Shi, Gyeonggi-Do, KOREA 415-851