

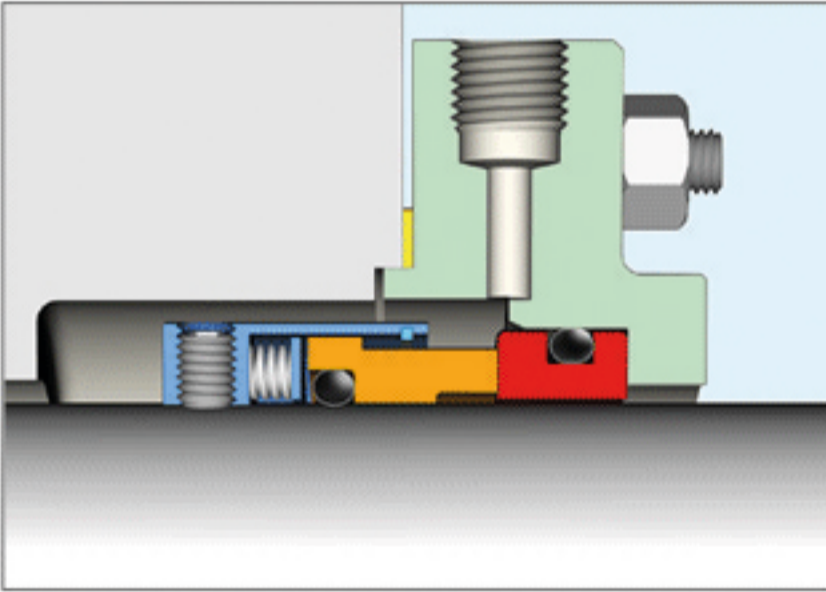
## MULTIS HYDRO - MECHANICAL SEAL

# Type KJ



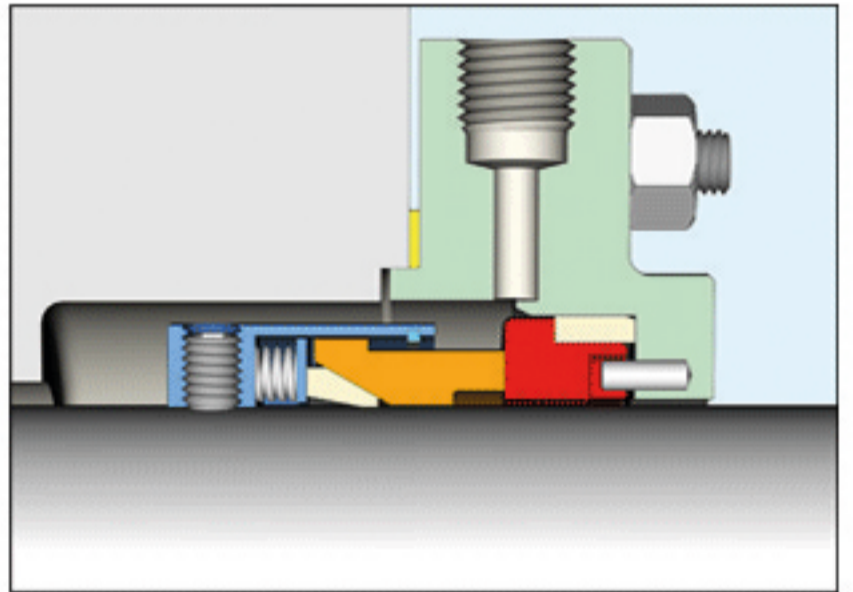
### KJ 1

* Standard sizes	20mm to 150mm
* Max. Pressure	350psi(10-12 kg/cm <sup>2</sup> )
* Max. Temperature	355°F (180 °C)
* Max. Speed	5,000 fpm (20m/sec)



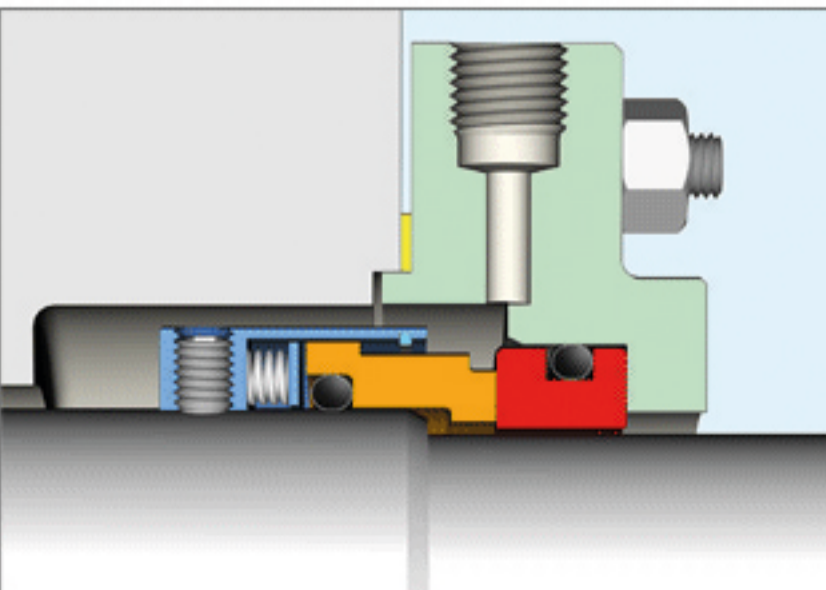
### KJ 2

* Standard sizes	20mm to 150mm
* Max. Pressure	350psi(10-12 kg/cm <sup>2</sup> )
* Max. Temperature	500°F (260 °C)
* Max. Speed	5,000 fpm (20m/sec)



### KJ 3

* Standard sizes	20mm to 150mm
* Max. Pressure	750psi(25 kg/cm <sup>2</sup> )
* Max. Temperature	355°F (180 °C)
* Max. Speed	5,000 fpm (20m/sec)



### KJ 4

* Standard sizes	20mm to 150mm
* Max. Pressure	750psi(25 kg/cm <sup>2</sup> )
* Max. Temperature	500°F (260 °C)
* Max. Speed	5,000 fpm (20m/sec)

