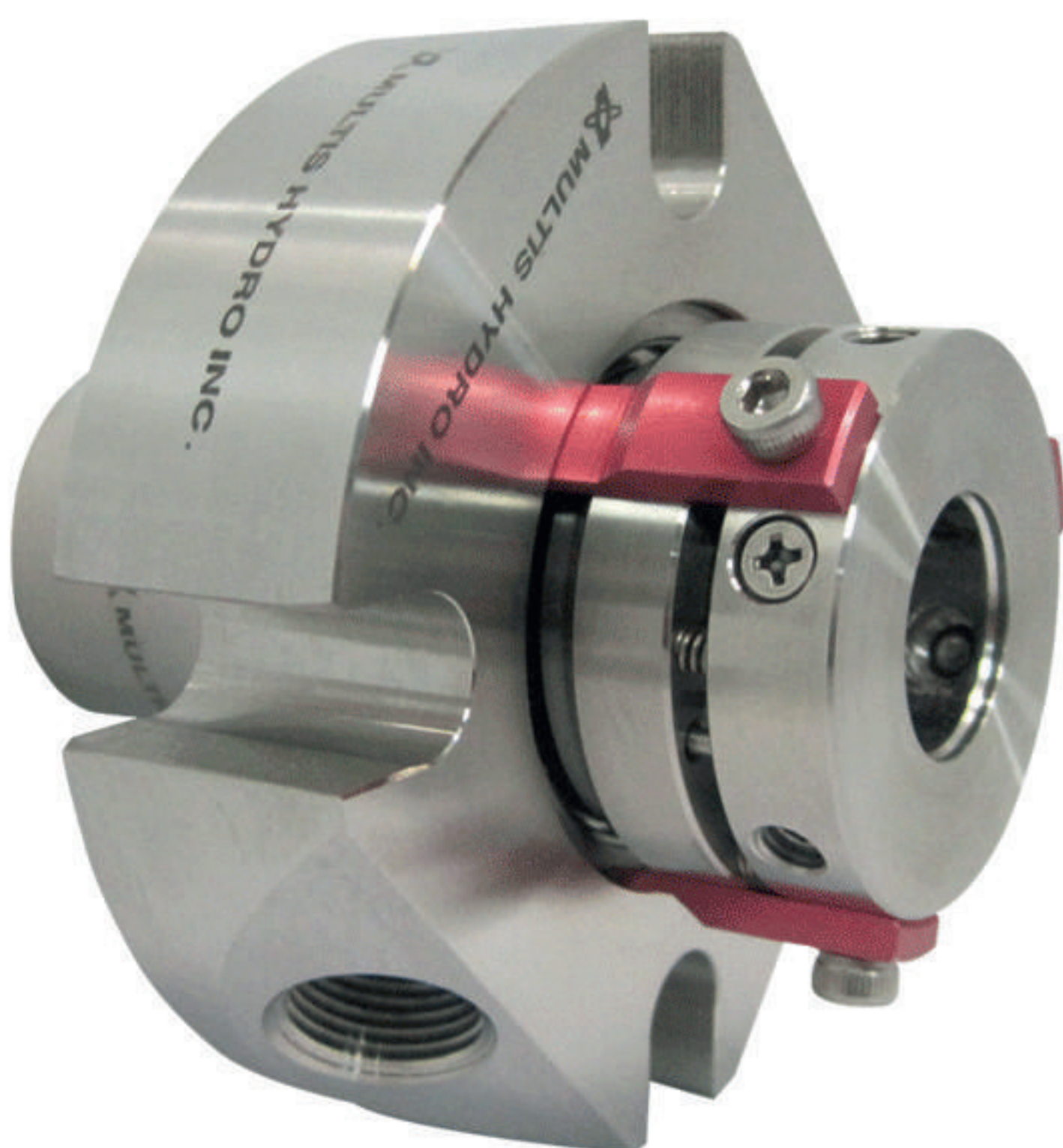
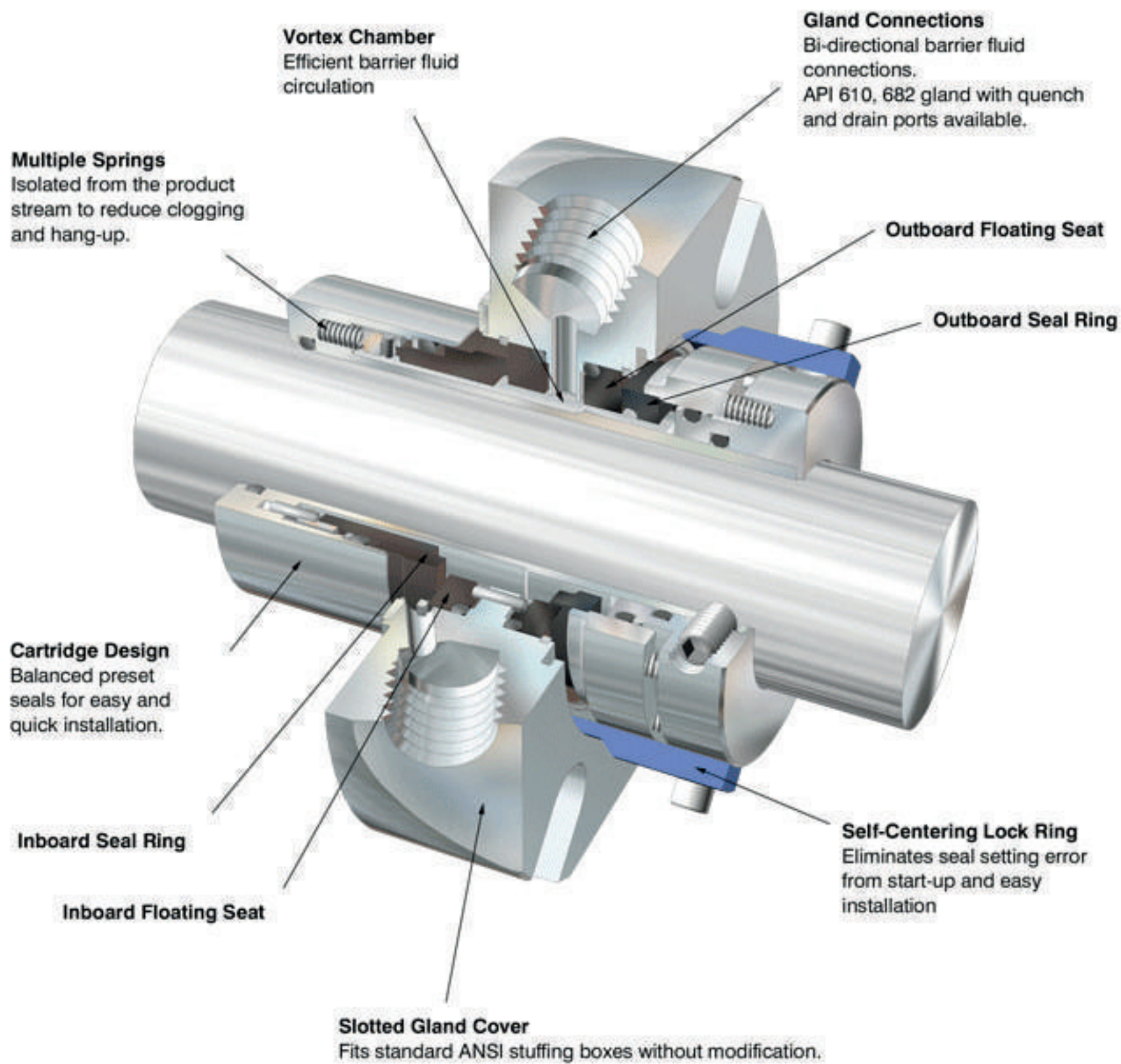


Cartridge-Mounted Dual Seal with Enough vortex Chamber

CPD series



* Standard sizes	20mm to 150mm
* Max. Pressure	400psi(28 kg/cm ²)
* Max. Temperature	250°C
* Max. Speed	15 m/sec



AVAILABLE MATERIALS

MATERIALS

316 Stainless Steel
 Carpenter 20
 Hastelloy B or C
 Monel
 Titanium
 Nickel

DYNAMIC PACKING

Elastomers

Viton
 Buna N
 Ethylene Propylene
 Rubber(EPDM)

Kalrez
 Neoprene

PTFE

FEP Encapsulated

SEAL RING / FLOATING SEAT

Silicon Carbide
 Tungsten Carbide
 T. C. Coating
 Ceramic Coating
 Carbon

