

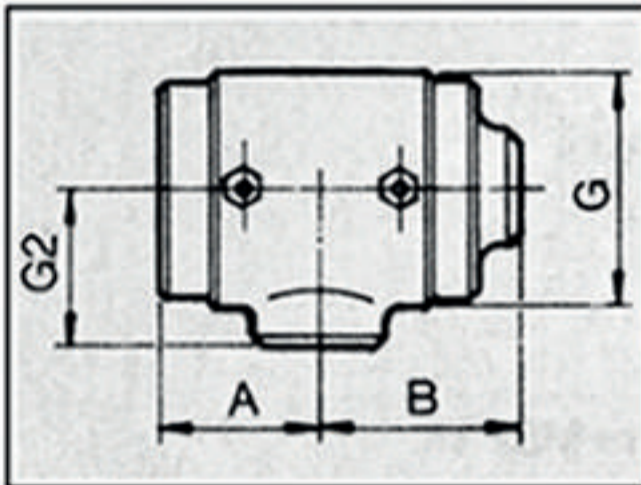
MULTIS HYDRO-SWIVEL JOINT

MS 200 series

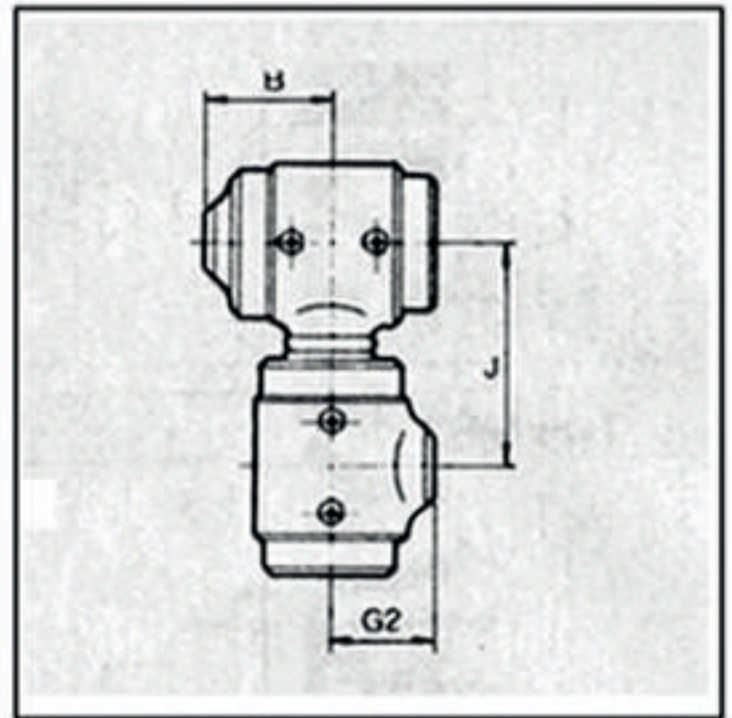
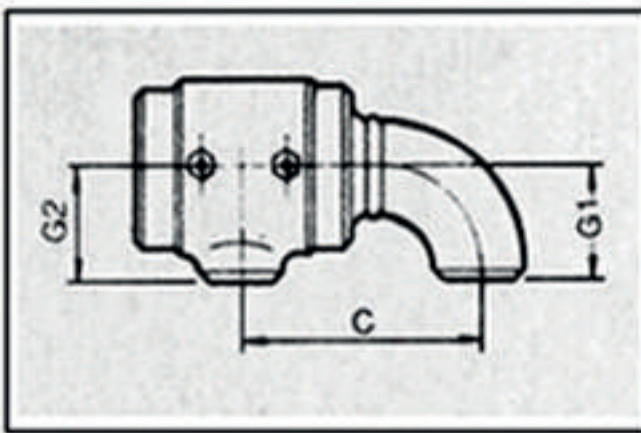


* Material	Body: Carbon Steel or Cast Steel Seal: O-Ring PTEE Back-up Ring Connection: Customer to specify, Bevel ends, Flange
* Fluid	Water, Air, Hydraulic, Petroleum products
* Max. Pressure	Normal: 40 kg/cm ² / 420 kg/cm ²
* Max. Temperature	100 °C(NBR) / 180 °C(Viton)

Type MS201

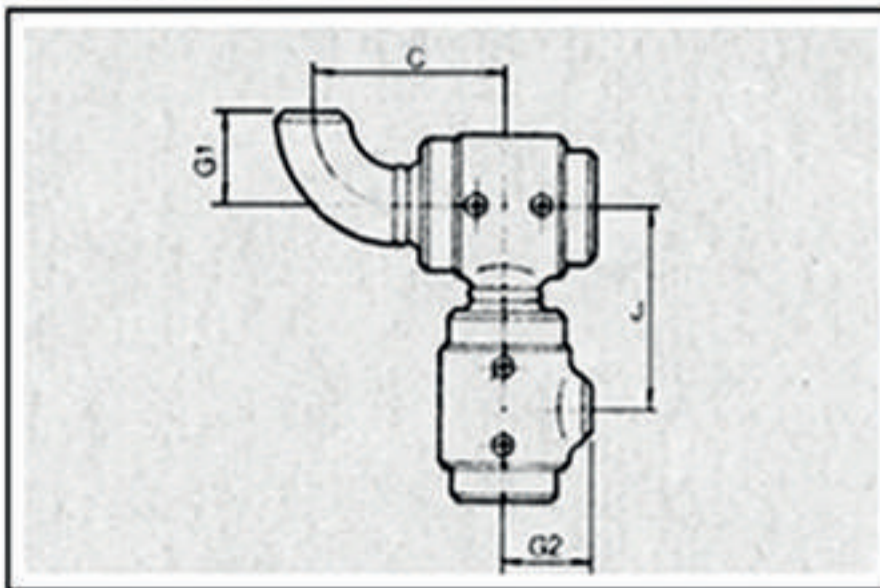


Type MS202

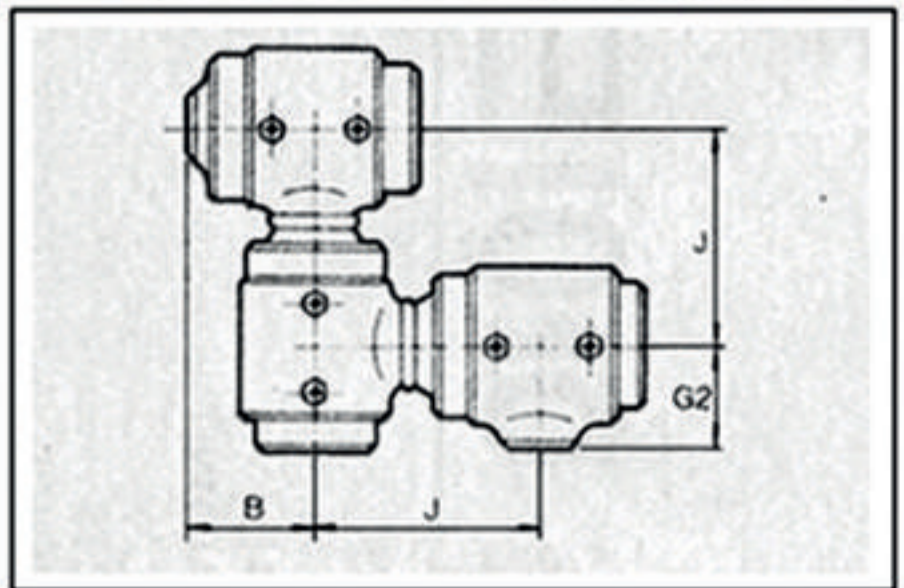


Type MS203

Type MS204



Type MS205



SYMBOL		A	B	C	D	E	F	G	H	J
(A)	(B)									
500	½	½	70	30	84	82	75	100	98	107
750	¾	¾	85	30	97	93	92	116	111	130
1,000	1	1	100	38	110	120	110	135	143	157
1,250	1¼	1¼	118	45	131	145	140	159	173	196
1,500	1½	1¼	126	55	140	150	140	170	180	202
2,000	2	2	150	70	165	170	165	203	208	240