

TYPE
"_"

REV.NO.	DATE	DESCRIPTION	REV'D BY	CHE'D BY	APP'D BY
△					
△					
△					

SELECTION TABLE

ITEM NO.	LAMP	LAMP SIZE	Q'TY	SUPPLY VOLTAGE	FREQUENCY				
		<input type="checkbox"/> 100W	SET		<input type="checkbox"/> DC110V	<input type="checkbox"/> AC220V	<input type="checkbox"/> 50Hz		
	INCANDESCENT LAMP	<input type="checkbox"/> 200W	SET	<input type="checkbox"/> AC110V	<input type="checkbox"/> AC240V	<input type="checkbox"/> 60Hz			
				HUB SCHEDULE	THREAD	<input type="checkbox"/> NPT	<input type="checkbox"/> PF	<input type="checkbox"/> MM	<input type="checkbox"/>
					SIZE	<input type="checkbox"/> 3/4"	<input type="checkbox"/> 1"	<input type="checkbox"/> M	<input type="checkbox"/>
					LOCATION	<input type="checkbox"/> 1-2 <input type="checkbox"/> 1-3 <input type="checkbox"/> 1-2-3 <input type="checkbox"/> 1-2-3-4			
				<input type="checkbox"/> W/2-BLIND PLUGS <input type="checkbox"/> NONE					

NOTE

1.

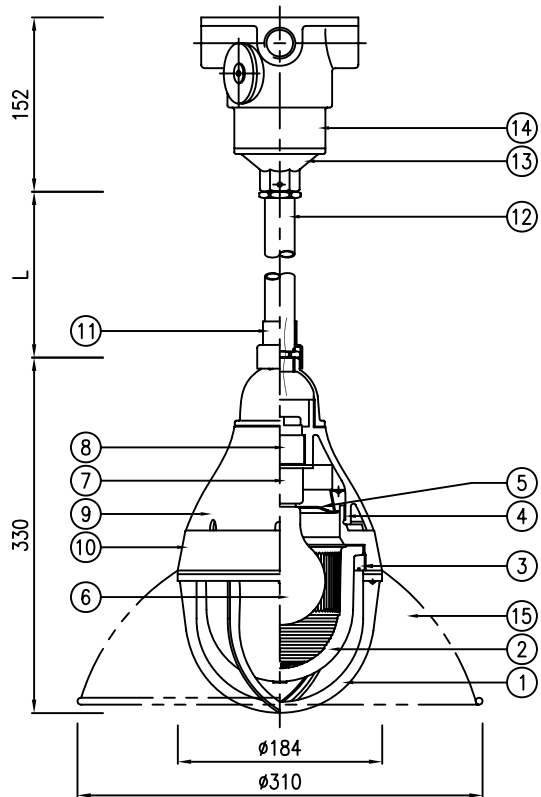
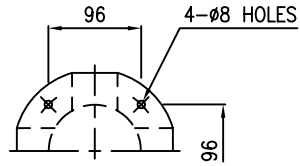
NO	PARTS	MATERIAL	REMARK
12	REFLECTOR	ALUMINIUM SHEET	DOME or 30° ANGLE TYPE
11	MOUNTING BOX	CAST ALUMINIUM ALLOY	
10	GLOBE RING	CAST ALUMINIUM ALLOY	
9	BODY	DIE CASTING ALUMINIUM	
8	LAMP HOLDER HOUSING	DIE CASTING ALUMINIUM	
7	LAMP HOLDER	PORCELAIN W/MEDIUM SOCKET	E26
6	LAMP	INCANDESCENT LAMP	
5	INNER REFLECTOR	HIGH GRADE ALUMINIUM SHEET	
4	O RING GASKET	SILICONE RUBBER	
3	LOCK RING	DIE CASTING ALUMINIUM	
2	GLOBE	HEAT RESISTANT HARD GLASS	
1	GUARD	DIE CASTING ALUMINIUM	

SCALE	N.S	APPROVED BY	
UNIT	mm	CHECKED BY	
DATE		DRAWN BY	

NB 南北電氣株式會社
NAMBUK ELECTRIC CO.,LTD

TITLE	IL LTG. FIXTURE (CEILING MTG. TYPE)		APPLICATION AREA	
CAT NO.	EFL SERIES		CLASS OF PROTECTION	
COLOR FINISHING	MUNSELL NO. 7.5BG 6/1.5		Ex d IIC T3	
			DRAWING NO.	N B - E L H - D 1 - A 0 1

* LENGTH(L) ORDER MADE.



TYPE
"_"

REV.NO.	DATE	DESCRIPTION	REV'D BY	CHE'D BY	APP'D BY
△					
△					
△					

SELECTION TABLE

ITEM NO.	LAMP	LAMP SIZE	Q'TY	SUPPLY VOLTAGE	FREQUENCY	
					<input type="checkbox"/> DC110V <input type="checkbox"/> AC220V	<input type="checkbox"/> AC110V <input type="checkbox"/> AC240V
	INCANDESCENT LAMP	<input type="checkbox"/> 100W	SET	HUB SCHEDULE	THREAD	<input type="checkbox"/> NPT <input type="checkbox"/> PF <input type="checkbox"/> MM <input type="checkbox"/>
		<input type="checkbox"/> 200W	SET		SIZE	<input type="checkbox"/> 3/4" <input type="checkbox"/> 1" <input type="checkbox"/> M <input type="checkbox"/>
				LOCATION		
					<input type="checkbox"/> 1-2 <input type="checkbox"/> 1-3 <input type="checkbox"/> 1-2-3 <input type="checkbox"/> 1-2-3-4 <input type="checkbox"/> W/2-BLIND PLUGS <input type="checkbox"/> NONE	

NOTE

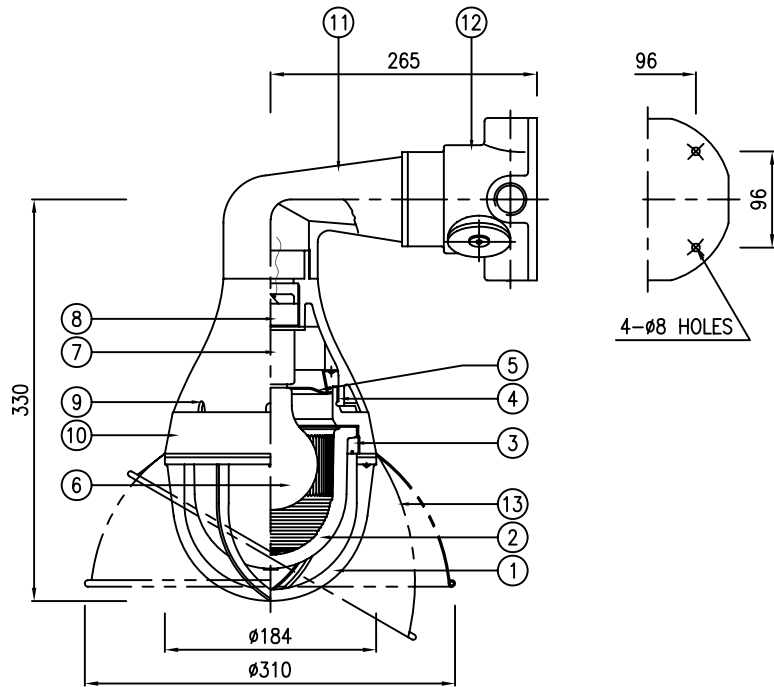
1.

NO	PARTS	MATERIAL	REMARK
15	REFLECTOR	ALUMINIUM SHEET	DOME or 30° ANGLE TYPE
14	MOUNTING BOX	CAST ALUMINIUM ALLOY	
13	FLANGE	DIE CASTING ALUMINIUM	
12	SUSPENSION STEM	RIGID STEEL PIPE	
11	WEATHERPROOF CAP	SILICONE RUBBER	
10	GLOBE RING	CAST ALUMINIUM ALLOY	
9	BODY	DIE CASTING ALUMINIUM	
8	LAMP HOLDER HOUSING	DIE CASTING ALUMINIUM	
7	LAMP HOLDER	PORCELAIN W/MEDIUM SOCKET	E26
6	LAMP	INCANDESCENT LAMP	
5	INNER REFLECTOR	HIGH GRADE ALUMINIUM SHEET	
4	O RING GASKET	SILICONE RUBBER	
3	LOCK RING	DIE CASTING ALUMINIUM	
2	GLOBE	HEAT RESISTANT HARD GLASS	
1	GUARD	DIE CASTING ALUMINIUM	

SCALE	N.S	APPROVED BY	
UNIT	mm	CHECKED BY	
DATE		DRAWN BY	

NB 南北電気株式会社
NAMBUK ELECTRIC CO.,LTD

TITLE	IL LTG. FIXTURE (PENDANT MTG. TYPE)		APPLICATION AREA	
CAT NO.	EFL SERIES		CLASS OF PROTECTION	Ex d IIC T3
COLOR FINISHING	MUNSELL NO. 7.5BG 6/1.5		DRAWING NO.	N B - E L H - D 1 - A 0 1



TYPE
"_"

REV.NO.	DATE	DESCRIPTION	REV'D BY	CHE'D BY	APP'D BY
△					
△					
△					

SELECTION TABLE

ITEM NO.	LAMP	LAMP SIZE	Q'TY	SUPPLY VOLTAGE	FREQUENCY	
					<input type="checkbox"/> DC110V <input type="checkbox"/> AC220V	<input type="checkbox"/> AC110V <input type="checkbox"/> AC240V
	INCANDESCENT LAMP	<input type="checkbox"/> 100W	SET	HUB SCHEDULE	THREAD	<input type="checkbox"/> NPT <input type="checkbox"/> PF <input type="checkbox"/> MM <input type="checkbox"/>
		<input type="checkbox"/> 200W	SET		SIZE	<input type="checkbox"/> 3/4" <input type="checkbox"/> 1" <input type="checkbox"/> M <input type="checkbox"/>
				HUB SCHEDULE	LOCATION	 <input type="checkbox"/> 1-2 <input type="checkbox"/> 1-3 <input type="checkbox"/> 1-2-3 <input type="checkbox"/> 1-2-3-4
						<input type="checkbox"/> W/2-BLIND PLUGS <input type="checkbox"/> NONE

NOTE

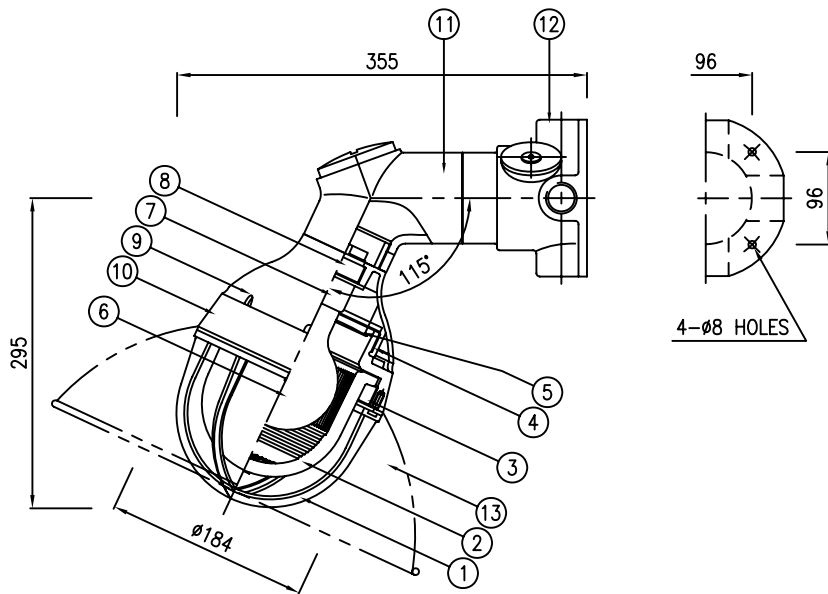
1.

NO	PARTS	MATERIAL	REMARK
13	REFLECTOR	ALUMINIUM SHEET	DOME or 30° ANGLE TYPE
12	MOUNTING BOX	CAST ALUMINIUM ALLOY	
11	BRACKET ARM	CAST ALUMINIUM ALLOY	
10	GLOBE RING	CAST ALUMINIUM ALLOY	
9	BODY	DIE CASTING ALUMINIUM	
8	LAMP HOLDER HOUSING	DIE CASTING ALUMINIUM	
7	LAMP HOLDER	PORCELAIN W/MEDIUM SOCKET	E26
6	LAMP	INCANDESCENT LAMP	
5	INNER REFLECTOR	HIGH GRADE ALUMINIUM SHEET	
4	O RING GASKET	SILICONE RUBBER	
3	LOCK RING	DIE CASTING ALUMINIUM	
2	GLOBE	HEAT RESISTANT HARD GLASS	
1	GUARD	DIE CASTING ALUMINIUM	

SCALE	N.S	APPROVED BY	
UNIT	mm	CHECKED BY	
DATE		DRAWN BY	

NB 南北電氣株式會社
NAMBUK ELECTRIC CO.,LTD

TITLE	IL LTG. FIXTURE (BRACKET MTG. TYPE)	APPLICATION AREA	
CAT NO.	EFL SERIES	CLASS OF PROTECTION	Ex d IIC T3
COLOR FINISHING	MUNSELL NO. 7.5BG 6/1.5	DRAWING NO.	N B - E L H - D 1 - A 0 1



TYPE
"_"

REV.NO.	DATE	DESCRIPTION	REV'D BY	CHE'D BY	APP'D BY
△					
△					
△					

SELECTION TABLE

ITEM NO.	LAMP	LAMP SIZE	Q'TY	SUPPLY VOLTAGE	FREQUENCY				
		<input type="checkbox"/> 100W	SET		<input type="checkbox"/> DC110V	<input type="checkbox"/> AC220V	<input type="checkbox"/> 50Hz		
	INCANDESCENT LAMP	<input type="checkbox"/> 200W	SET	<input type="checkbox"/> AC110V	<input type="checkbox"/> AC240V	<input type="checkbox"/> 60Hz			
				HUB SCHEDULE	THREAD	<input type="checkbox"/> NPT	<input type="checkbox"/> PF	<input type="checkbox"/> MM	<input type="checkbox"/>
					SIZE	<input type="checkbox"/> 3/4"	<input type="checkbox"/> 1"	<input type="checkbox"/> M	<input type="checkbox"/>
				HUB SCHEDULE	LOCATION				
						<input type="checkbox"/> 1-2 <input type="checkbox"/> 1-3 <input type="checkbox"/> 1-2-3 <input type="checkbox"/> 1-2-3-4 <input type="checkbox"/> W/2-BLIND PLUGS <input type="checkbox"/> NONE			

NOTE
1.

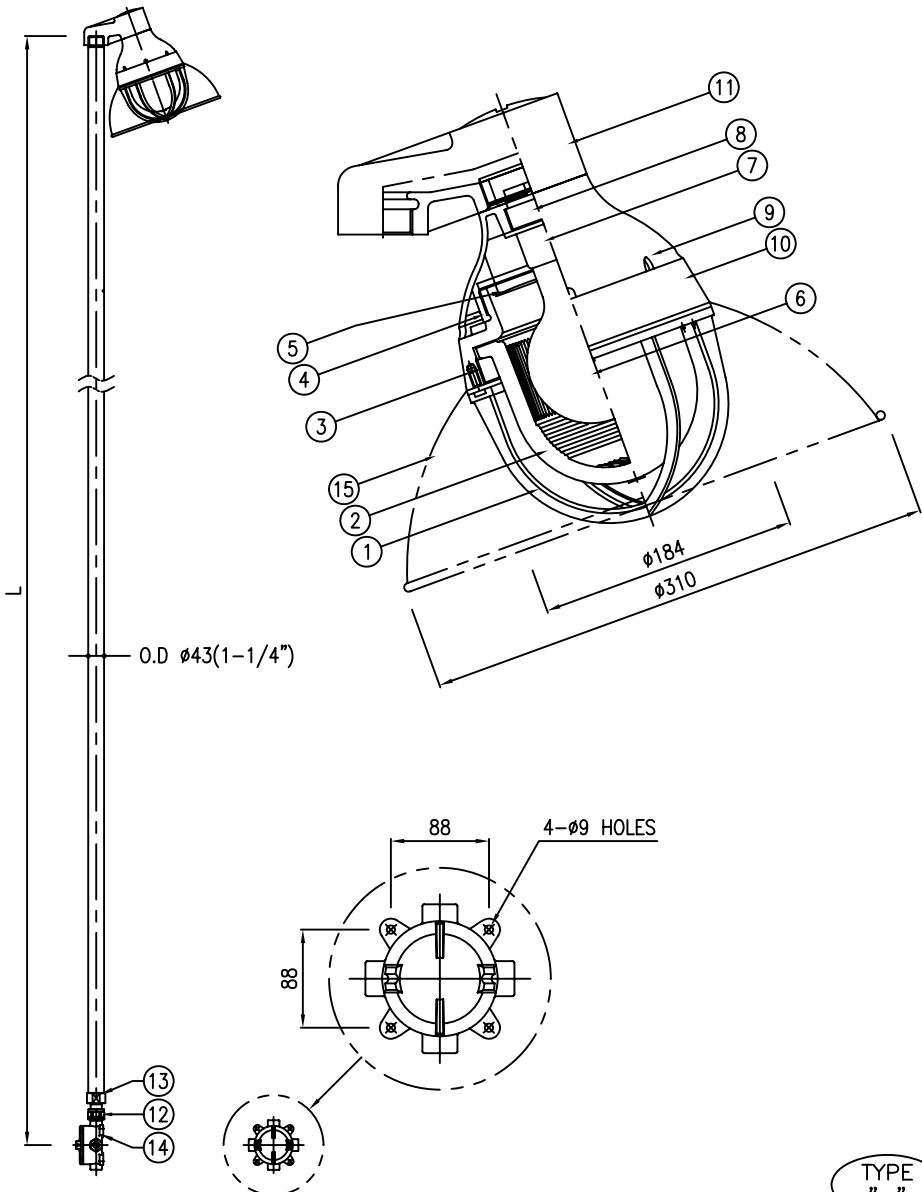
NO	PARTS	MATERIAL	REMARK
13	REFLECTOR	ALUMINIUM SHEET	DOME or 30° ANGLE TYPE
12	MOUNTING BOX	CAST ALUMINIUM ALLOY	
11	BRACKET ARM	CAST ALUMINIUM ALLOY	
10	GLOBE RING	CAST ALUMINIUM ALLOY	
9	BODY	DIE CASTING ALUMINIUM	
8	LAMP HOLDER HOUSING	DIE CASTING ALUMINIUM	
7	LAMP HOLDER	PORCELAIN W/MEDIUM SOCKET	E26
6	LAMP	INCANDESCENT LAMP	
5	INNER REFLECTOR	HIGH GRADE ALUMINIUM SHEET	
4	O RING GASKET	SILICONE RUBBER	
3	LOCK RING	DIE CASTING ALUMINIUM	
2	GLOBE	HEAT RESISTANT HARD GLASS	
1	GUARD	DIE CASTING ALUMINIUM	

SCALE	N.S	APPROVED BY	
UNIT	mm	CHECKED BY	
DATE		DRAWN BY	

NB 南北電氣株式會社
NAMBUK ELECTRIC CO.,LTD

TITLE	IL LTG. FIXTURE (BULKHEAD TYPE)		APPLICATION AREA	
CAT NO.	EFL SERIES		CLASS OF PROTECTION	
COLOR FINISHING	MUNSELL NO. 7.5BG 6/1.5		Ex d IIC T3	
			DRAWING NO.	N B - E L H - D 1 - A 0 1

* LENGTH(L) ORDER MADE.



REV.NO.	DATE	DESCRIPTION	REV'D BY	CHE'D BY	APP'D BY
△					
△					
△					

SELECTION TABLE

ITEM NO.	LAMP	LAMP SIZE	Q'TY	SUPPLY VOLTAGE	FREQUENCY	
					<input type="checkbox"/> DC110V <input type="checkbox"/> AC220V	<input type="checkbox"/> 50Hz <input type="checkbox"/> 60Hz
	INCANDESCENT LAMP	<input type="checkbox"/> 100W	SET			
		<input type="checkbox"/> 200W	SET			
				HUB SCHEDULE	THREAD	<input type="checkbox"/> NPT <input type="checkbox"/> PF <input type="checkbox"/> MM <input type="checkbox"/>
					SIZE	<input type="checkbox"/> 3/4" <input type="checkbox"/> 1" <input type="checkbox"/> M <input type="checkbox"/>
				LOCATION	POLE	<input type="checkbox"/> P-1 <input type="checkbox"/> P-2 <input type="checkbox"/> P-1-2 <input type="checkbox"/> P-1-2-3
						<input type="checkbox"/> W/2-BLIND PLUGS <input type="checkbox"/> NONE

NOTE
1.

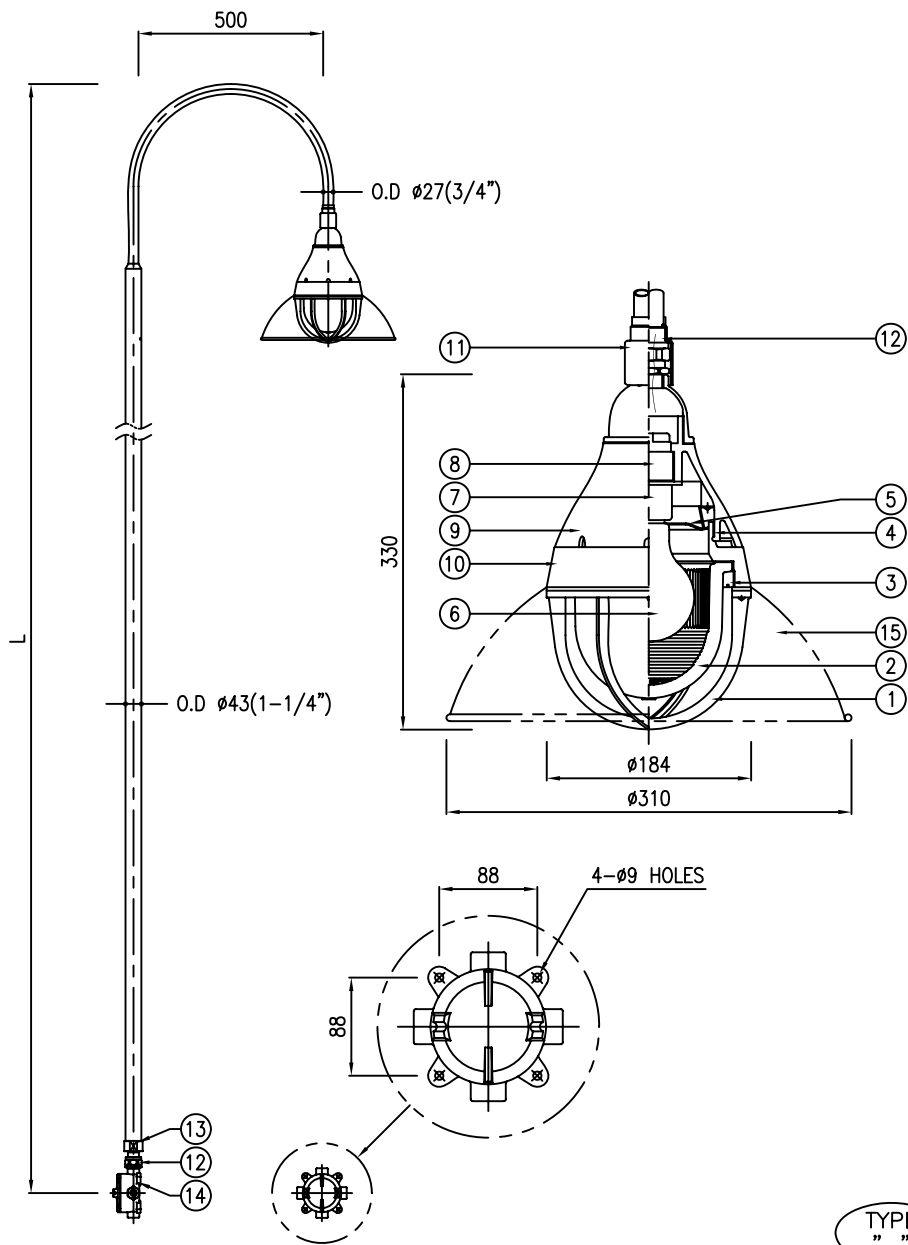
NO	PARTS	MATERIAL	REMARK
15	REFLECTOR	ALUMINIUM SHEET	DOME or 30° ANGLE TYPE
14	MOUNTING BOX	CAST IRON	
13	SOCKET	CARBON STEEL	
12	UNION COUPLING	CARBON STEEL	
11	HOOD	CAST ALUMINIUM ALLOY	
10	GLOBE RING	CAST ALUMINIUM ALLOY	
9	BODY	DIE CASTING ALUMINIUM	
8	LAMP HOLDER HOUSING	DIE CASTING ALUMINIUM	
7	LAMP HOLDER	PORCELAIN W/MEDIUM SOCKET	E26
6	LAMP	INCANDESCENT LAMP	
5	INNER REFLECTOR	HIGH GRADE ALUMINIUM SHEET	
4	O RING GASKET	SILICONE RUBBER	
3	LOCK RING	DIE CASTING ALUMINIUM	
2	GLOBE	HEAT RESISTANT HARD GLASS	
1	GUARD	DIE CASTING ALUMINIUM	

SCALE	N.S	APPROVED BY	
UNIT	mm	CHECKED BY	
DATE		DRAWN BY	

NB 南北電氣株式會社
NAMBUK ELECTRIC CO.,LTD

TITLE	IL LTG. FIXTURE (STANCHION MTG. TYPE)		APPLICATION AREA
CAT NO.	EFL SERIES	CLASS OF PROTECTION	Ex d IIC T3
COLOR FINISHING	LTG. FIXTURE : MUNSELL NO. 7.5BG 6/1.5 POLE : HOT DIP GALVANIZED	DRAWING NO.	N B - E L H - D 1 - A 0 1

* LENGTH(L) ORDER MADE.



REV.NO.	DATE	DESCRIPTION	REV'D BY	CHE'D BY	APP'D BY
△					
△					
△					

SELECTION TABLE

ITEM NO.	LAMP	LAMP SIZE	Q'TY	SUPPLY VOLTAGE	FREQUENCY	
					<input type="checkbox"/> DC110V <input type="checkbox"/> AC220V	<input type="checkbox"/> 50Hz <input type="checkbox"/> 60Hz
	INCANDESCENT LAMP	<input type="checkbox"/> 100W	SET			
		<input type="checkbox"/> 200W	SET			
				HUB SCHEDULE	THREAD	<input type="checkbox"/> NPT <input type="checkbox"/> PF <input type="checkbox"/> MM <input type="checkbox"/>
					SIZE	<input type="checkbox"/> 3/4" <input type="checkbox"/> 1" <input type="checkbox"/> M <input type="checkbox"/>
				HUB SCHEDULE	LOCATION	POLE
						<input type="checkbox"/> P-1 <input type="checkbox"/> P-2 <input type="checkbox"/> P-1-2 <input type="checkbox"/> P-1-2-3
						<input type="checkbox"/> W/2-BLIND PLUGS <input type="checkbox"/> NONE

NOTE

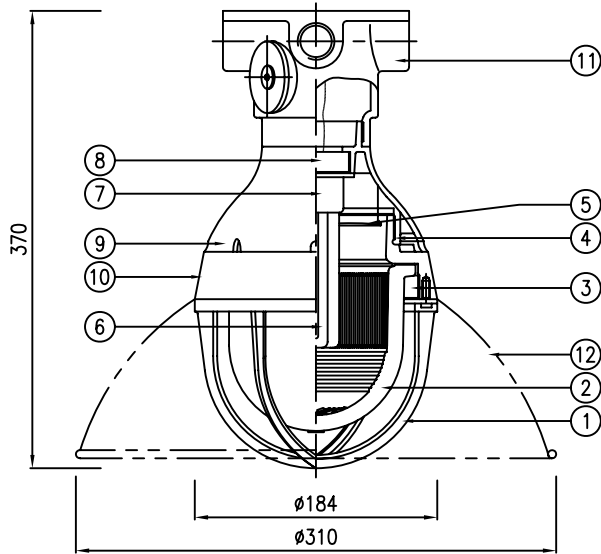
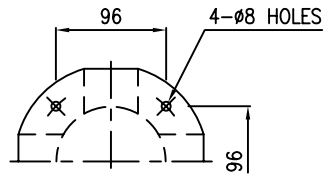
1.

NO	PARTS	MATERIAL	REMARK
15	REFLECTOR	ALUMINIUM SHEET	DOME or 30° ANGLE TYPE
14	MOUNTING BOX	CAST IRON	
13	SOCKET	CARBON STEEL	
12	UNION COUPLING	CARBON STEEL	
11	WEATHERPROOF CAP	SILICONE RUBBER	
10	GLOBE RING	CAST ALUMINIUM ALLOY	
9	BODY	DIE CASTING ALUMINIUM	
8	LAMP HOLDER HOUSING	DIE CASTING ALUMINIUM	
7	LAMP HOLDER	PORCELAIN W/MEDIUM SOCKET	E26
6	LAMP	INCANDESCENT LAMP	
5	INNER REFLECTOR	HIGH GRADE ALUMINIUM SHEET	
4	O RING GASKET	SILICONE RUBBER	
3	LOCK RING	DIE CASTING ALUMINIUM	
2	GLOBE	HEAT RESISTANT HARD GLASS	
1	GUARD	DIE CASTING ALUMINIUM	

SCALE	N.S	APPROVED BY	
UNIT	mm	CHECKED BY	
DATE		DRAWN BY	

NB 南北電氣株式會社
NAMBUK ELECTRIC CO.,LTD

TITLE	IL LTG. FIXTURE (HAND RAIL TYPE)		APPLICATION AREA	
CAT NO.	EFL SERIES		CLASS OF PROTECTION	Ex d IIC T3
COLOR FINISHING	LTG. FIXTURE : MUNSELL NO. 7.5BG 6/1.5 POLE : HOT DIP GALVANIZED		DRAWING NO.	N B - E L H - D 1 - A 0 1



TYPE
"_"

REV.NO.	DATE	DESCRIPTION	REV'D BY	CHE'D BY	APP'D BY
△					
△					
△					

SELECTION TABLE

ITEM NO.	LAMP	LAMP SIZE	Q'TY	SUPPLY VOLTAGE		FREQUENCY	HUB SCHEDULE
				<input type="checkbox"/> DC110V	<input type="checkbox"/> AC220V		
	FLUORESCENT LAMP	<input type="checkbox"/> 20W	SET	<input type="checkbox"/> AC110V	<input type="checkbox"/> AC240V	<input type="checkbox"/> 50Hz	
		<input type="checkbox"/>				<input type="checkbox"/> 60Hz	
				THREAD		<input type="checkbox"/> NPT	<input type="checkbox"/> PF
				SIZE		<input type="checkbox"/> 3/4"	<input type="checkbox"/> 1"
				LOCATION			<input type="checkbox"/> 1-2 <input type="checkbox"/> 1-3 <input type="checkbox"/> 1-2-3 <input type="checkbox"/> 1-2-3-4
						<input type="checkbox"/> W/2-BLIND PLUGS	<input type="checkbox"/> NONE

NOTE

1.

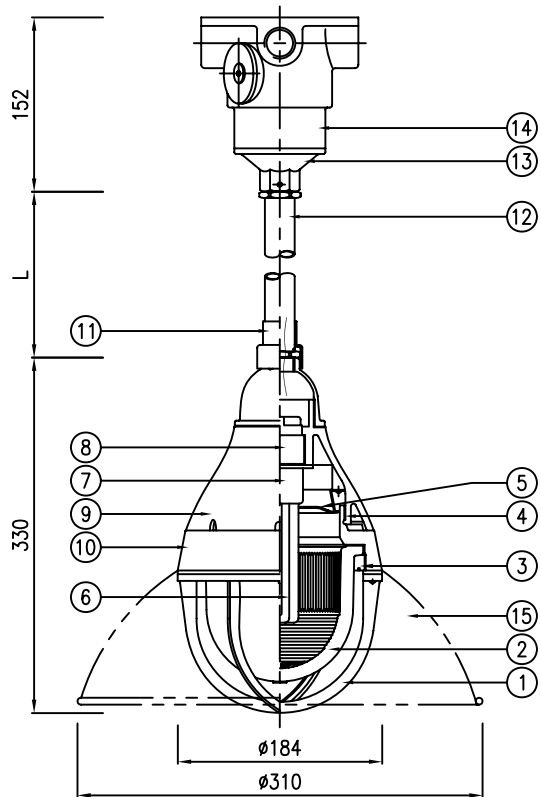
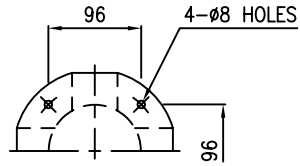
NO	PARTS	MATERIAL	REMARK
12	REFLECTOR	ALUMINIUM SHEET	DOME or 30° ANGLE TYPE
11	MOUNTING BOX	CAST ALUMINIUM ALLOY	
10	GLOBE RING	CAST ALUMINIUM ALLOY	
9	BODY	DIE CASTING ALUMINIUM	
8	LAMP HOLDER HOUSING	DIE CASTING ALUMINIUM	
7	LAMP HOLDER	PORCELAIN W/MEDIUM SOCKET	E26
6	LAMP	FLUORESCENT LAMP	
5	INNER REFLECTOR	HIGH GRADE ALUMINIUM SHEET	
4	O RING GASKET	SILICONE RUBBER	
3	LOCK RING	DIE CASTING ALUMINIUM	
2	GLOBE	HEAT RESISTANT HARD GLASS	
1	GUARD	DIE CASTING ALUMINIUM	

SCALE	N.S	APPROVED BY	
UNIT	mm	CHECKED BY	
DATE		DRAWN BY	

NB 南北電氣株式會社
NAMBUK ELECTRIC CO.,LTD

TITLE	FLUORESCENT LTG. FIXTURE (CEILING MTG. TYPE)	APPLICATION AREA	
CAT NO.	EFL SERIES	CLASS OF PROTECTION	Ex d IIC T6
COLOR FINISHING	MUNSELL NO. 7.5BG 6/1.5	DRAWING NO.	N B - E L H - D 1 - A 0 1

* LENGTH(L) ORDER MADE.



TYPE
"_"

REV.NO.	DATE	DESCRIPTION	REV'D BY	CHE'D BY	APP'D BY
△					
△					
△					

SELECTION TABLE

ITEM NO.	LAMP	LAMP SIZE	Q'TY	SUPPLY VOLTAGE	FREQUENCY	
					<input type="checkbox"/> DC110V <input type="checkbox"/> AC220V	<input type="checkbox"/> 50Hz <input type="checkbox"/> 60Hz
	FLUORESCENT LAMP	<input type="checkbox"/> 20W	SET	<input type="checkbox"/> AC110V <input type="checkbox"/> AC240V		
				HUB SCHEDULE	THREAD	<input type="checkbox"/> NPT <input type="checkbox"/> PF <input type="checkbox"/> MM <input type="checkbox"/>
					SIZE	<input type="checkbox"/> 3/4" <input type="checkbox"/> 1" <input type="checkbox"/> M <input type="checkbox"/>
					LOCATION	 <input type="checkbox"/> 1-2 <input type="checkbox"/> 1-3 <input type="checkbox"/> 1-2-3 <input type="checkbox"/> 1-2-3-4
				<input type="checkbox"/> W/2-BLIND PLUGS <input type="checkbox"/> NONE		

NOTE

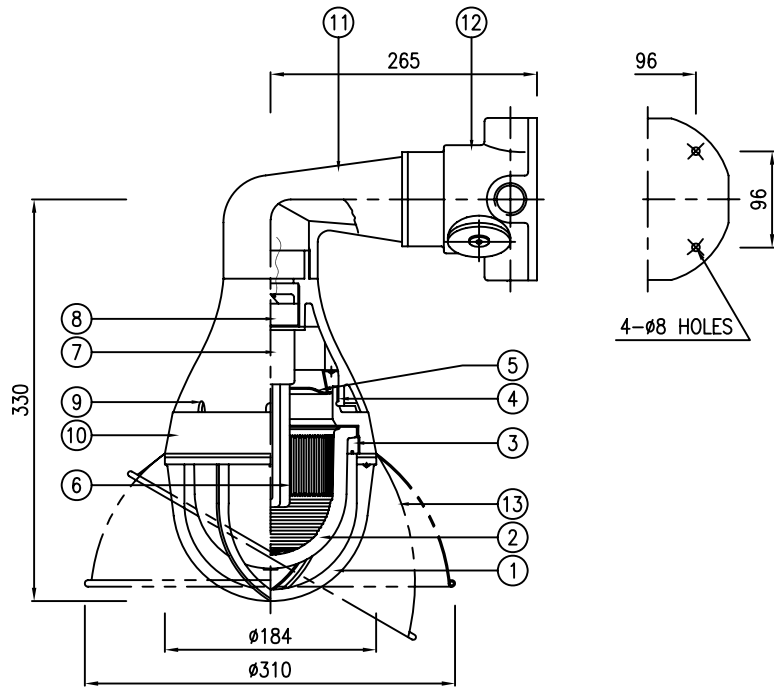
1.

NO	PARTS	MATERIAL	REMARK
15	REFLECTOR	ALUMINIUM SHEET	DOME or 30° ANGLE TYPE
14	MOUNTING BOX	CAST ALUMINIUM ALLOY	
13	FLANGE	DIE CASTING ALUMINIUM	
12	SUSPENSION STEM	RIGID STEEL PIPE	
11	WEATHERPROOF CAP	SILICONE RUBBER	
10	GLOBE RING	CAST ALUMINIUM ALLOY	
9	BODY	DIE CASTING ALUMINIUM	
8	LAMP HOLDER HOUSING	DIE CASTING ALUMINIUM	
7	LAMP HOLDER	PORCELAIN W/MEDIUM SOCKET	E26
6	LAMP	FLUORESCENT LAMP	
5	INNER REFLECTOR	HIGH GRADE ALUMINIUM SHEET	
4	O RING GASKET	SILICONE RUBBER	
3	LOCK RING	DIE CASTING ALUMINIUM	
2	GLOBE	HEAT RESISTANT HARD GLASS	
1	GUARD	DIE CASTING ALUMINIUM	

SCALE	N.S	APPROVED BY	
UNIT	mm	CHECKED BY	
DATE		DRAWN BY	

NB 南北電氣株式會社
NAMBUK ELECTRIC CO.,LTD

TITLE	FLUORESCENT LTG. FIXTURE (PENDANT MTG. TYPE)	APPLICATION AREA	
CAT NO.	EFL SERIES	CLASS OF PROTECTION	Ex d IIC T6
COLOR FINISHING	MUNSELL NO. 7.5BG 6/1.5	DRAWING NO.	N B - E L H - D 1 - A 0 1



TYPE
"_"

REV.NO.	DATE	DESCRIPTION	REV'D BY	CHE'D BY	APP'D BY
△					
△					
△					

SELECTION TABLE

ITEM NO.	LAMP	LAMP SIZE	Q'TY	SUPPLY VOLTAGE	FREQUENCY	
					<input type="checkbox"/> DC110V <input type="checkbox"/> AC220V	<input type="checkbox"/> AC110V <input type="checkbox"/> AC240V
	FLUORESCENT LAMP	<input type="checkbox"/> 20W <input type="checkbox"/>	SET			<input type="checkbox"/> 50Hz <input type="checkbox"/> 60Hz
				HUB SCHEDULE	THREAD	<input type="checkbox"/> NPT <input type="checkbox"/> PF <input type="checkbox"/> MM <input type="checkbox"/>
					SIZE	<input type="checkbox"/> 3/4" <input type="checkbox"/> 1" <input type="checkbox"/> M <input type="checkbox"/>
					LOCATION	 <input type="checkbox"/> 1-2 <input type="checkbox"/> 1-3 <input type="checkbox"/> 1-2-3 <input type="checkbox"/> 1-2-3-4 <input type="checkbox"/> W/2-BLIND PLUGS <input type="checkbox"/> NONE

NOTE

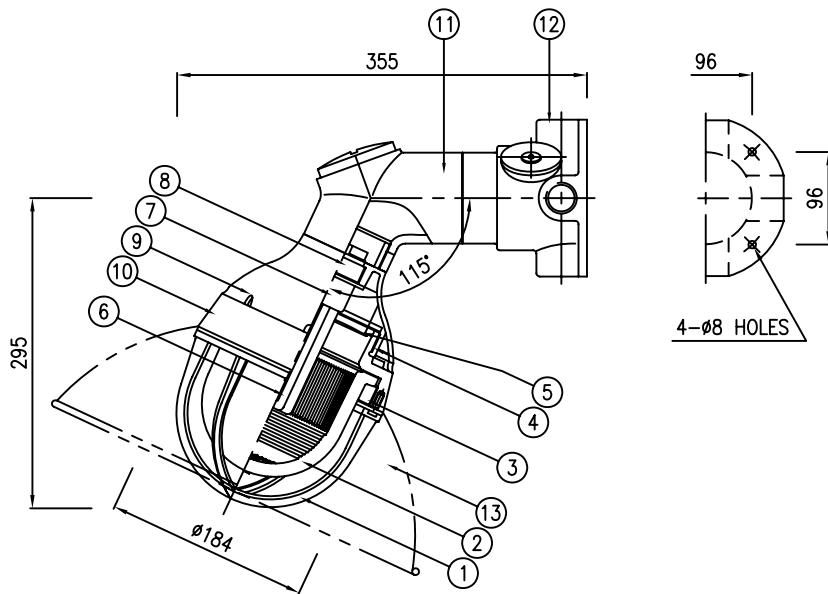
1.

NO	PARTS	MATERIAL	REMARK
13	REFLECTOR	ALUMINIUM SHEET	DOME or 30° ANGLE TYPE
12	MOUNTING BOX	CAST ALUMINIUM ALLOY	
11	BRACKET ARM	CAST ALUMINIUM ALLOY	
10	GLOBE RING	CAST ALUMINIUM ALLOY	
9	BODY	DIE CASTING ALUMINIUM	
8	LAMP HOLDER HOUSING	DIE CASTING ALUMINIUM	
7	LAMP HOLDER	PORCELAIN W/MEDIUM SOCKET	E26
6	LAMP	FLUORESCENT LAMP	
5	INNER REFLECTOR	HIGH GRADE ALUMINIUM SHEET	
4	O RING GASKET	SILICONE RUBBER	
3	LOCK RING	DIE CASTING ALUMINIUM	
2	GLOBE	HEAT RESISTANT HARD GLASS	
1	GUARD	DIE CASTING ALUMINIUM	

SCALE	N.S	APPROVED BY	
UNIT	mm	CHECKED BY	
DATE		DRAWN BY	

NB 南北電氣株式會社
NAMBUK ELECTRIC CO.,LTD

TITLE	FLUORESCENT LTG. FIXTURE (BRACKET MTC. TYPE)	APPLICATION AREA	
CAT NO.	EFL SERIES	CLASS OF PROTECTION	Ex d IIC T6
COLOR FINISHING	MUNSELL NO. 7.5BG 6/1.5	DRAWING NO.	N B - E L H - D 1 - - A 0 1



TYPE
"_"

REV.NO.	DATE	DESCRIPTION	REV'D BY	CHE'D BY	APP'D BY
△					
△					
△					

SELECTION TABLE

ITEM NO.	LAMP	LAMP SIZE	Q'TY	SUPPLY VOLTAGE	FREQUENCY	
					<input type="checkbox"/> DC110V <input type="checkbox"/> AC220V	<input type="checkbox"/> 50Hz <input type="checkbox"/> 60Hz
	FLUORESCENT LAMP	<input type="checkbox"/> 20W	SET		HUB SCHEDULE	
		<input type="checkbox"/>			THREAD	<input type="checkbox"/> NPT <input type="checkbox"/> PF <input type="checkbox"/> MM <input type="checkbox"/>
					SIZE	<input type="checkbox"/> 3/4" <input type="checkbox"/> 1" <input type="checkbox"/> M <input type="checkbox"/>
					LOCATION	 <input type="checkbox"/> 1-2 <input type="checkbox"/> 1-3 <input type="checkbox"/> 1-2-3 <input type="checkbox"/> 1-2-3-4 <input type="checkbox"/> W/2-BLIND PLUGS <input type="checkbox"/> NONE

NOTE
1.

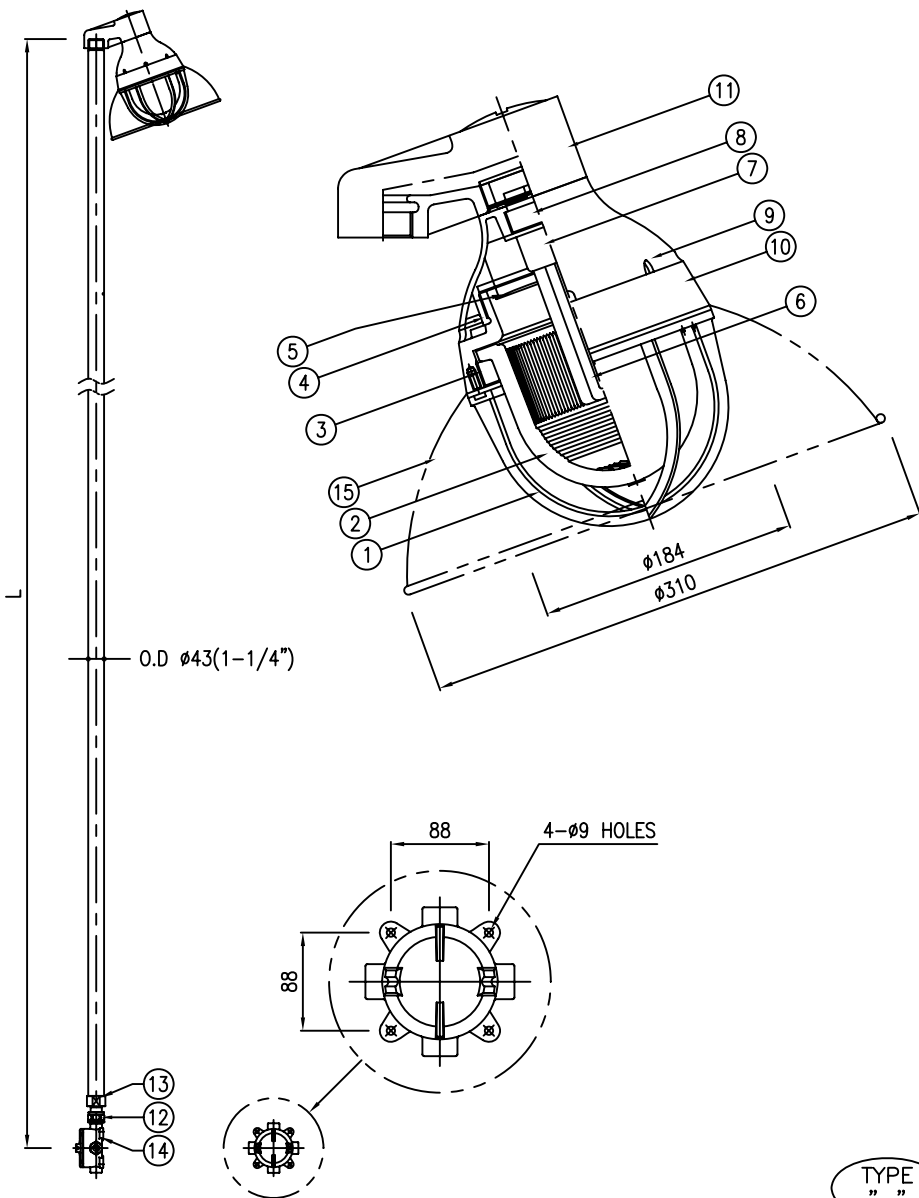
NO	PARTS	MATERIAL	REMARK
13	REFLECTOR	ALUMINIUM SHEET	DOME or 30° ANGLE TYPE
12	MOUNTING BOX	CAST ALUMINIUM ALLOY	
11	BRACKET ARM	CAST ALUMINIUM ALLOY	
10	GLOBE RING	CAST ALUMINIUM ALLOY	
9	BODY	DIE CASTING ALUMINIUM	
8	LAMP HOLDER HOUSING	DIE CASTING ALUMINIUM	
7	LAMP HOLDER	PORCELAIN W/MEDIUM SOCKET	E26
6	LAMP	FLUORESCENT LAMP	
5	INNER REFLECTOR	HIGH GRADE ALUMINIUM SHEET	
4	O RING GASKET	SILICONE RUBBER	
3	LOCK RING	DIE CASTING ALUMINIUM	
2	GLOBE	HEAT RESISTANT HARD GLASS	
1	GUARD	DIE CASTING ALUMINIUM	

SCALE	N.S	APPROVED BY	
UNIT	mm	CHECKED BY	
DATE		DRAWN BY	

NB 南北電氣株式會社
NAMBUK ELECTRIC CO.,LTD

TITLE	FLUORESCENT LTG. FIXTURE (BULKHEAD TYPE)	APPLICATION AREA	
CAT NO.	EFL SERIES	CLASS OF PROTECTION	Ex d IIC T6
COLOR FINISHING	MUNSELL NO. 7.5BG 6/1.5	DRAWING NO.	N B - E L H - D 1 - - A 0 1

* LENGTH(L) ORDER MADE.



TYPE
"_"

REV.NO.	DATE	DESCRIPTION	REV'D BY	CHE'D BY	APP'D BY
△					
△					
△					

SELECTION TABLE

ITEM NO.	LAMP	LAMP SIZE	Q'TY	SUPPLY VOLTAGE	FREQUENCY	
					<input type="checkbox"/> DC110V <input type="checkbox"/> AC220V	<input type="checkbox"/> 50Hz <input type="checkbox"/> 60Hz
	FLUORESCENT LAMP	<input type="checkbox"/> 20W	SET	<input type="checkbox"/> AC110V <input type="checkbox"/> AC240V	THREAD <input type="checkbox"/> NPT <input type="checkbox"/> PF <input type="checkbox"/> MM <input type="checkbox"/> SIZE <input type="checkbox"/> 3/4" <input type="checkbox"/> 1" <input type="checkbox"/> M <input type="checkbox"/>	
				HUB SCHEDULE	LOCATION POLE <input type="checkbox"/> P-1 <input type="checkbox"/> P-2 <input type="checkbox"/> P-1-2 <input type="checkbox"/> P-1-2-3 <input type="checkbox"/> W/2-BLIND PLUGS <input type="checkbox"/> NONE	

NOTE

1.

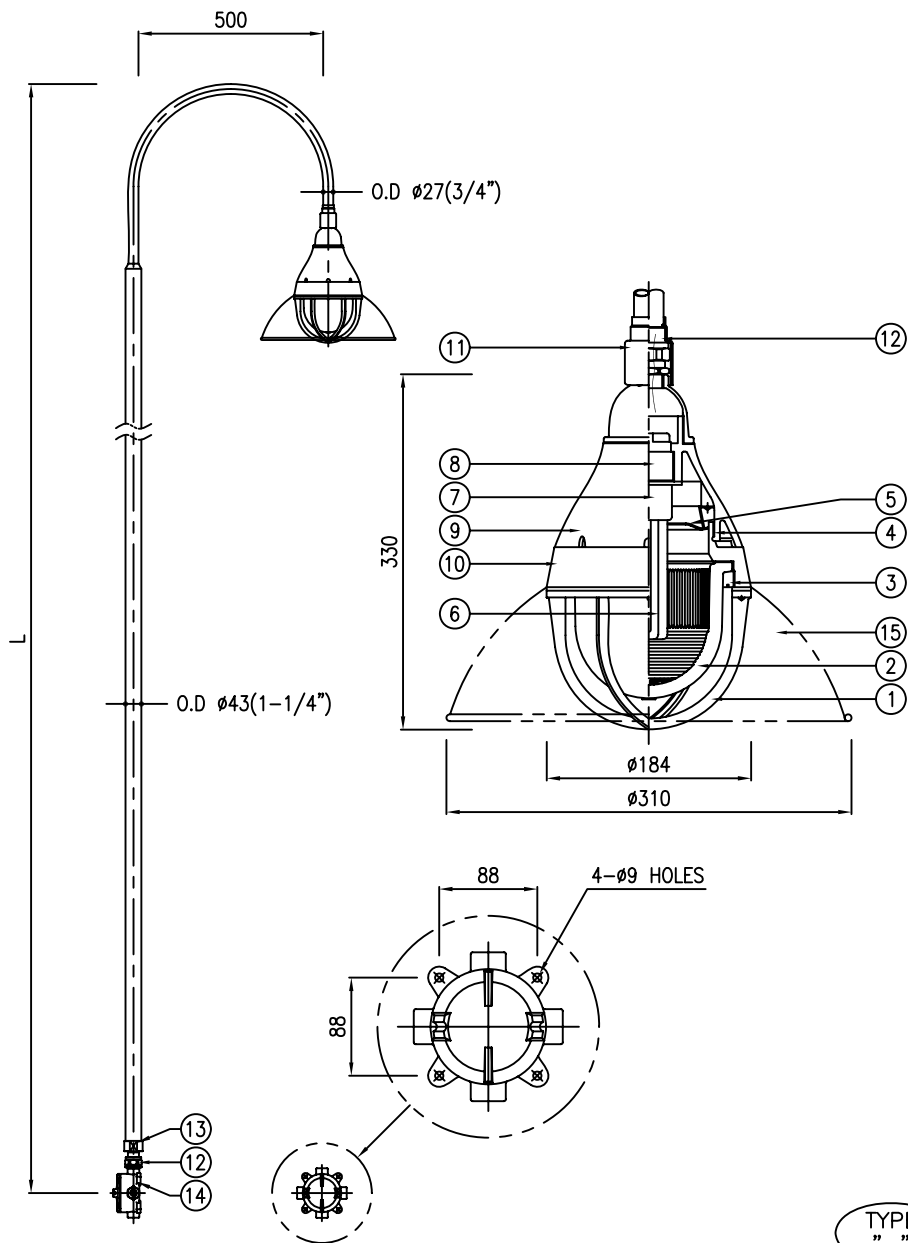
NO	PARTS	MATERIAL	REMARK
15	REFLECTOR	ALUMINIUM SHEET	DOME or 30° ANGLE TYPE
14	MOUNTING BOX	CAST IRON	
13	SOCKET	CARBON STEEL	
12	UNION COUPLING	CARBON STEEL	
11	HOOD	CAST ALUMINIUM ALLOY	
10	GLOBE RING	CAST ALUMINIUM ALLOY	
9	BODY	DIE CASTING ALUMINIUM	
8	LAMP HOLDER HOUSING	DIE CASTING ALUMINIUM	
7	LAMP HOLDER	PORCELAIN W/MEDIUM SOCKET	E26
6	LAMP	FLUORESCENT LAMP	
5	INNER REFLECTOR	HIGH GRADE ALUMINIUM SHEET	
4	O RING GASKET	SILICONE RUBBER	
3	LOCK RING	DIE CASTING ALUMINIUM	
2	GLOBE	HEAT RESISTANT HARD GLASS	
1	GUARD	DIE CASTING ALUMINIUM	

SCALE	N.S	APPROVED BY	
UNIT	mm	CHECKED BY	
DATE		DRAWN BY	

NB 南北電氣株式會社
NAMBUK ELECTRIC CO.,LTD

TITLE	FLUORESCENT LTG. FIXTURE (STANCHION MTG. TYPE)	APPLICATION AREA	
CAT NO.	EFL SERIES	CLASS OF PROTECTION	Ex d IIC T6
COLOR FINISHING	LTG. FIXTURE : MUNSELL NO. 7.5BG 6/1.5 POLE : HOT DIP GALVANIZED	DRAWING NO.	N B - E L H - D 1 - A 0 1

* LENGTH(L) ORDER MADE.



TYPE
"_"

REV.NO.	DATE	DESCRIPTION	REV'D BY	CHE'D BY	APP'D BY
△					
△					
△					

SELECTION TABLE

ITEM NO.	LAMP	LAMP SIZE	Q'TY	SUPPLY VOLTAGE		FREQUENCY	HUB SCHEDULE	
				<input type="checkbox"/> DC110V	<input type="checkbox"/> AC220V		THREAD	<input type="checkbox"/> NPT
	FLUORESCENT LAMP	<input type="checkbox"/> 20W	SET	<input type="checkbox"/> AC110V	<input type="checkbox"/> AC240V	<input type="checkbox"/> 50Hz <input type="checkbox"/> 60Hz	SIZE	<input type="checkbox"/> 3/4" <input type="checkbox"/> 1" <input type="checkbox"/> M <input type="checkbox"/>
		<input type="checkbox"/>					LOCATION	POLE <input type="checkbox"/> P-1 <input type="checkbox"/> P-2 <input type="checkbox"/> P-1-2 <input type="checkbox"/> P-1-2-3 <input type="checkbox"/> W/2-BLIND PLUGS <input type="checkbox"/> NONE

NOTE

1.

NO	PARTS	MATERIAL	REMARK
15	REFLECTOR	ALUMINIUM SHEET	DOME or 30° ANGLE TYPE
14	MOUNTING BOX	CAST IRON	
13	SOCKET	CARBON STEEL	
12	UNION COUPLING	CARBON STEEL	
11	WEATHERPROOF CAP	SILICONE RUBBER	
10	GLOBE RING	CAST ALUMINIUM ALLOY	
9	BODY	DIE CASTING ALUMINIUM	
8	LAMP HOLDER HOUSING	DIE CASTING ALUMINIUM	
7	LAMP HOLDER	PORCELAIN W/MEDIUM SOCKET	E26
6	LAMP	FLUORESCENT LAMP	
5	INNER REFLECTOR	HIGH GRADE ALUMINIUM SHEET	
4	O RING GASKET	SILICONE RUBBER	
3	LOCK RING	DIE CASTING ALUMINIUM	
2	GLOBE	HEAT RESISTANT HARD GLASS	
1	GUARD	DIE CASTING ALUMINIUM	

SCALE	N.S	APPROVED BY	
UNIT	mm	CHECKED BY	
DATE		DRAWN BY	

NB 南北電氣株式會社
NAMBUK ELECTRIC CO.,LTD

TITLE	FLUORESCENT LTG. FIXTURE (HAND RAIL TYPE)	APPLICATION AREA	
CAT NO.	EFL SERIES	CLASS OF PROTECTION	Ex d IIC T6
COLOR FINISHING	LTG. FIXTURE : MUNSELL NO. 7.5BG 6/1.5 POLE : HOT DIP GALVANIZED	DRAWING NO.	N B - E L H - D 1 - A 0 1