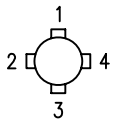


TYPE
"_"

REV.NO.	DATE	DESCRIPTION	REV'D BY	CHE'D BY	APP'D BY
△					
△					
△					

SELECTION TABLE

ITEM NO.	LAMP	LAMP SIZE	Q'TY	SUPPLY VOLTAGE	FREQUENCY		HUB SCHEDULE
		<input type="checkbox"/> 100W <input type="checkbox"/> 150W	SET SET		<input type="checkbox"/> DC110V <input type="checkbox"/> AC110V	<input type="checkbox"/> AC220V <input type="checkbox"/> AC240V	
	INCANDESCENT LAMP						THREAD <input type="checkbox"/> NPT <input type="checkbox"/> PF <input type="checkbox"/> MM <input type="checkbox"/> SIZE <input type="checkbox"/> 1/2" <input type="checkbox"/> 3/4" <input type="checkbox"/> M <input type="checkbox"/> LOCATION  <input type="checkbox"/> 1-2 <input type="checkbox"/> 1-3 <input type="checkbox"/> 1-2-3 <input type="checkbox"/> 1-2-3-4 <input type="checkbox"/> W/2-BLIND PLUGS <input type="checkbox"/> NONE

NOTE

1.

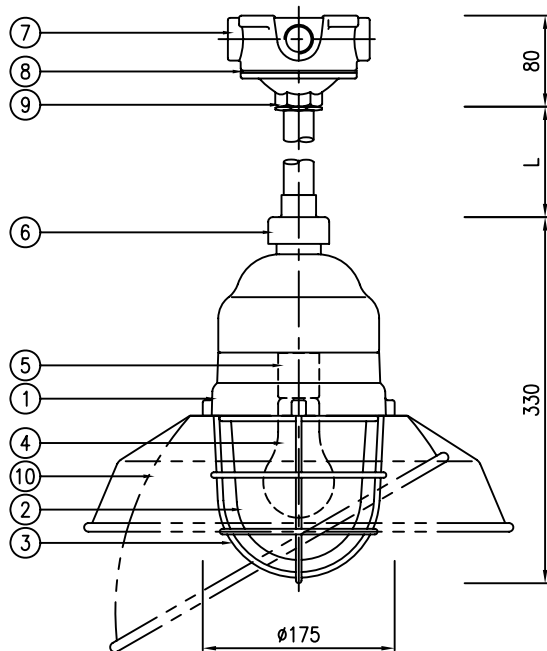
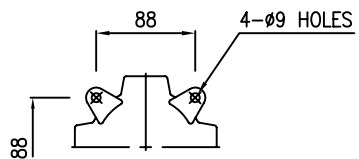
NO	PARTS	MATERIAL	REMARK
7	REFLECTOR	ALUMINIUM SHEET	DOME or 30° ANGLE
6	CEILING COVER	CAST ALUMINIUM ALLOY	
5	LAMP HOLDER	PORCELAIN W/MEDIUM SOCKET	E26
4	LAMP	INCANDESCENT LAMP	
3	GUARD	STAINLESS STEEL WIRE	SUS304
2	GLOBE	HEAT RESISTANT HARD GLASS	
1	GLOBE RING	CAST ALUMINIUM ALLOY	

SCALE	N.S	APPROVED BY	
UNIT	mm	CHECKED BY	
DATE		DRAWN BY	

NB 南北電氣株式會社
NAMBUK ELECTRIC CO.,LTD

TITLE	IL LTG. FIXTURE (CEILING MTG. TYPE)		APPLICATION AREA	
CAT NO.	EML SERIES		CLASS OF PROTECTION	Ex d IIB T3
COLOR FINISHING	MUNSELL NO. 7.5BG 6/1.5		DRAWING NO.	N B - E L H - D 1 - A 0 1

* LENGTH(L) ORDER MADE.



TYPE
"_"

REV.NO.	DATE	DESCRIPTION	REV'D BY	CHE'D BY	APP'D BY
△					
△					
△					

SELECTION TABLE

ITEM NO.	LAMP	LAMP SIZE	Q'TY	SUPPLY VOLTAGE	FREQUENCY		HUB SCHEDULE	
		<input type="checkbox"/> 100W	SET		<input type="checkbox"/> DC110V <input type="checkbox"/> AC220V	<input type="checkbox"/> 50Hz		
	INCANDESCENT LAMP	<input type="checkbox"/> 150W	SET	<input type="checkbox"/> AC110V <input type="checkbox"/> AC240V	<input type="checkbox"/> 60Hz			
				THREAD	<input type="checkbox"/> NPT	<input type="checkbox"/> PF	<input type="checkbox"/> MM	<input type="checkbox"/>
					SIZE	<input type="checkbox"/> 1/2"	<input type="checkbox"/> 3/4"	<input type="checkbox"/> M
				LOCATION				<input type="checkbox"/> 1-2 <input type="checkbox"/> 1-3 <input type="checkbox"/> 1-2-3 <input type="checkbox"/> 1-2-3-4
					<input type="checkbox"/> W/2-BLIND PLUGS <input type="checkbox"/> NONE			

NOTE

1.

NO	PARTS	MATERIAL	REMARK
10	REFLECTOR	ALUMINIUM SHEET	DOME or 30° ANGLE
9	FLANGE	DIE CASTING ALUMINIUM	
8	GASKET	NEOPRENE	
7	MOUNTING BOX	CAST IRON	
6	WEATHERPROOF CAP	SILICONE RUBBER	
5	LAMP HOLDER	PORCELAIN W/MEDIUM SOCKET	E26
4	LAMP	INCANDESCENT LAMP	
3	GUARD	STAINLESS STEEL WIRE	SUS304
2	GLOBE	HEAT RESISTANT HARD GLASS	
1	GLOBE RING	CAST ALUMINIUM ALLOY	

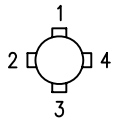
SCALE	N.S	APPROVED BY	
UNIT	mm	CHECKED BY	
DATE		DRAWN BY	

NB 南北電氣株式會社
NAMBUK ELECTRIC CO.,LTD

TITLE	IL LTG. FIXTURE (PENDANT MTG. TYPE)	APPLICATION AREA	
CAT NO.	EML SERIES	CLASS OF PROTECTION	Ex d IIB T3
COLOR FINISHING	MUNSELL NO. 7.5BG 6/1.5	DRAWING NO.	N B - E L H - D 1 - A 0 1

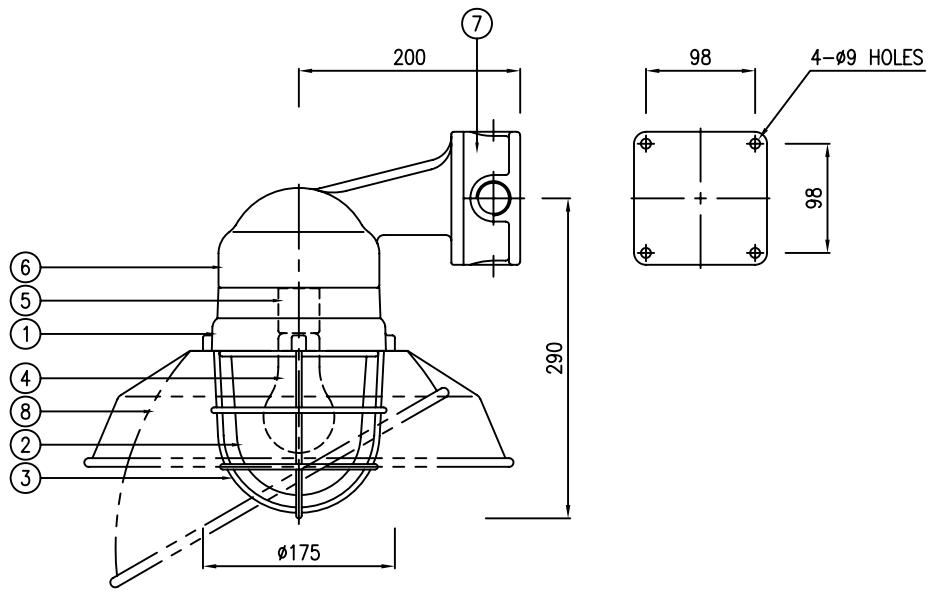
REV.NO.	DATE	DESCRIPTION	REV'D BY	CHE'D BY	APP'D BY
△					
△					
△					

SELECTION TABLE

ITEM NO.	LAMP	LAMP SIZE	Q'TY	SUPPLY VOLTAGE	FREQUENCY	
		<input type="checkbox"/> 100W	SET		<input type="checkbox"/> DC110V <input type="checkbox"/> AC220V	<input type="checkbox"/> 50Hz
	INCANDESCENT LAMP	<input type="checkbox"/> 150W	SET	<input type="checkbox"/> AC110V <input type="checkbox"/> AC240V	<input type="checkbox"/> 60Hz	
				HUB SCHEDULE	THREAD	<input type="checkbox"/> NPT <input type="checkbox"/> PF <input type="checkbox"/> MM <input type="checkbox"/>
					SIZE	<input type="checkbox"/> 1/2" <input type="checkbox"/> 3/4" <input type="checkbox"/> M <input type="checkbox"/>
				HUB SCHEDULE	LOCATION	 <input type="checkbox"/> 1-2 <input type="checkbox"/> 1-3 <input type="checkbox"/> 1-2-3 <input type="checkbox"/> 1-2-3-4
						<input type="checkbox"/> W/2-BLIND PLUGS <input type="checkbox"/> NONE

NOTE
1.

NO	PARTS	MATERIAL	REMARK
8	REFLECTOR	ALUMINIUM SHEET	DOME or 30° ANGLE
7	MOUNTING BOX	CAST ALUMINIUM ALLOY	
6	BRACKET ARM	CAST ALUMINIUM ALLOY	
5	LAMP HOLDER	PORCELAIN W/MEDIUM SOCKET	E26
4	LAMP	INCANDESCENT LAMP	
3	GUARD	STAINLESS STEEL WIRE	SUS304
2	GLOBE	HEAT RESISTANT HARD GLASS	
1	GLOBE RING	CAST ALUMINIUM ALLOY	



TYPE
"_"

SCALE	N.S	APPROVED BY	
UNIT	mm	CHECKED BY	
DATE		DRAWN BY	


南北電氣株式會社
NAMBUK ELECTRIC CO.,LTD

TITLE	IL LTG. FIXTURE (BRACKET MTG. TYPE)	APPLICATION AREA	
CAT NO.	EML SERIES	CLASS OF PROTECTION	Ex d IIB T3
COLOR FINISHING	MUNSELL NO. 7.5BG 6/1.5	DRAWING NO.	N B - E L H - D 1 - A 0 1