

Incandescent Lighting Fixtures VDY Series

Weathertight NEMA 3, 3R, 5

❖ Application

VDY Series lighting fixtures are used ;

- in manufacturing plants, refineries, chemical, petrochemical and other industrial process facilities, wastewater and sewage treatment plants, offshore, dockside and other harbor installations as well as other heavy industrial applications.
- wherever the damaging effects of wind, snow, sleet, or hot sun are found.
- in marine applications where water spray and corrosive atmospheres are considerations.
- in paint spray booth suitability provides efficient, economical HID lighting for paint spray areas.
- in industrial areas, both indoors and outdoors where long life and low maintenance costs are desired.
- in Industrial locations requiring elevated ambient capability.

❖ Certification

- Certified by KOSHA (Korea Occupational Safety & Health Agency), KGS (Korea Gas Safety Corporation), and the others.

❖ Compliance

- IP55

❖ Features

- The lighting fixture has simple construction.
- The screw neck globe and the guard are screwed on to the body applying the reflector in its position by the guard.
- Synthetic rubber gasket is used between the body and globe, so that the lamp housing is sealed against vapors and dusts.
- Relamping is easily done by opening lower half of the guard and unscrewing the globe.
- H.I.D lighting fixture has external type ballast.

❖ Standard Materials

- Body : Die casting aluminium
- Globe : Heat resistant hard glass
- Reflector : White coating aluminium
- Mounting Box : Cast aluminium alloy

❖ Standard Finish

- MUNSSELL No. 7.5BG 6/1.5
- If you want another color, contact us please.



< VDY >

❖ Technical Data

Electrical Ratings	
Rated Voltage	AC110V/ 220V/ 240V/ DC110V
Rated Wattage	100W/ 200W
Rated Frequency	50Hz/ 60Hz
Entry Sizes	1/2", 3/4", 1"

❖ Weight

Mounting Type	Catalog No.	Weight
Ceiling (Small)	VDY 2105	2.2 kg
Ceiling (Large)	VDY 2205	4.5 kg

⇒ If you need more information, contact us please.

❖ Ordering Number

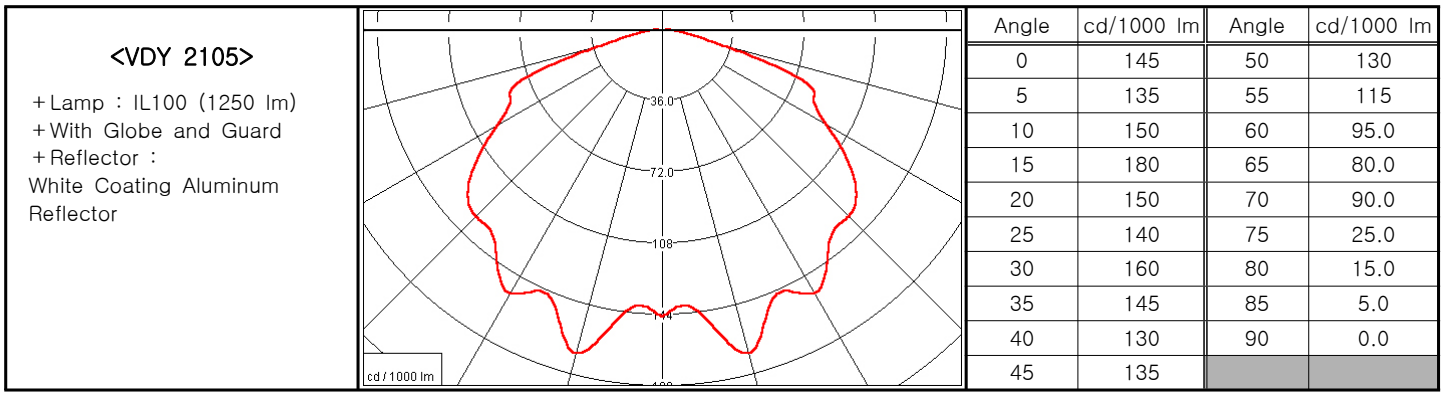
Lamp	Watt	Hub Size	Pendant	Ceiling	90° Bracket	40° Bracket
Incandescent Lamp	100	1/2"	VDY 1105	VDY 2105	VDY 3105	VDY 4105
		3/4"	VDY 1103	VDY 2103	VDY 3103	VDY 4103
	200	1/2"	VDY 1205	VDY 2205	VDY 3205	VDY 4205
		3/4"	VDY 1203	VDY 2203	VDY 3203	VDY 4203

❖ Ordering Information

VDY	<u>1</u>	<u>10</u>	<u>5</u>
①	②	③	④

- | | | | |
|------------------------|---|--|--|
| ① VDY Lighting Fixture | ② : Mounting Type
1 - Pendant
2 - Ceiling
3 - 90° Bracket
4 - 40° Bracket | ③ : Lamp Wattage (W)
10 - 100
20 - 200 | ④ : Entry Size
1 - 1"
3 - 3/4"
5 - 1/2" |
|------------------------|---|--|--|

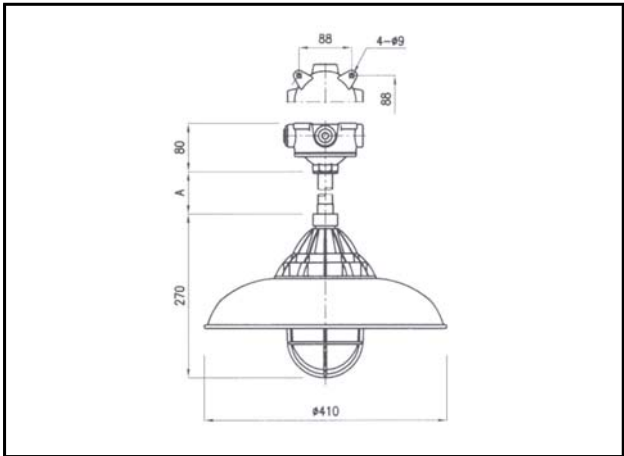
❖ Photometric Data



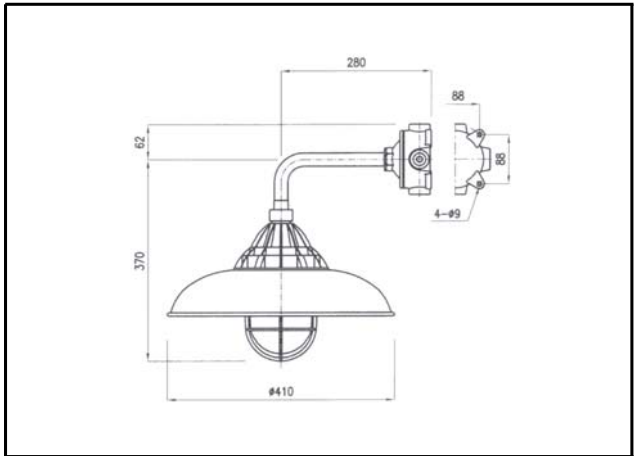
Coefficients of Utilization – Zonal Cavity

%Effective Ceiling Cavity Reflectance(ρ_{cc})	80			70			50			30			10			0
	50	30	10	50	30	10	50	30	10	50	30	10	50	30	10	0
Room Cavity Ratio RCR	20% Effective Floor Cavity Reflectance															
0	.64	.64	.64	.63	.63	.63	.60	.60	.60	.57	.57	.57	.55	.55	.55	.54
1	.57	.55	.54	.56	.54	.53	.54	.52	.51	.52	.51	.50	.50	.49	.48	.47
2	.52	.49	.46	.51	.48	.45	.49	.46	.44	.47	.45	.43	.45	.44	.42	.41
3	.46	.43	.40	.46	.42	.39	.44	.41	.39	.43	.40	.38	.41	.39	.38	.36
4	.42	.38	.35	.41	.38	.35	.40	.37	.34	.39	.36	.34	.38	.35	.33	.32
5	.38	.34	.31	.38	.34	.31	.37	.33	.30	.36	.33	.30	.35	.32	.30	.29
6	.35	.31	.28	.34	.30	.28	.34	.30	.27	.33	.30	.27	.32	.29	.27	.26
7	.32	.28	.25	.32	.28	.25	.31	.27	.25	.30	.27	.25	.29	.27	.24	.23
8	.30	.26	.23	.29	.25	.23	.29	.25	.23	.28	.25	.22	.27	.24	.22	.21
9	.28	.24	.21	.27	.23	.21	.27	.23	.21	.26	.23	.21	.26	.23	.21	.20
10	.26	.22	.19	.25	.22	.19	.25	.22	.19	.24	.21	.19	.24	.21	.19	.18

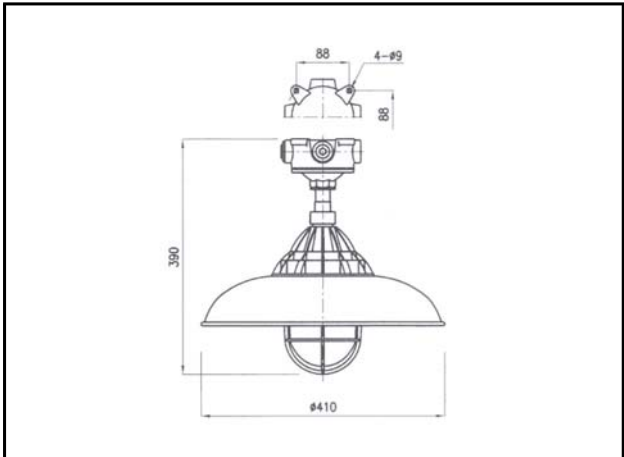
❖ Dimension



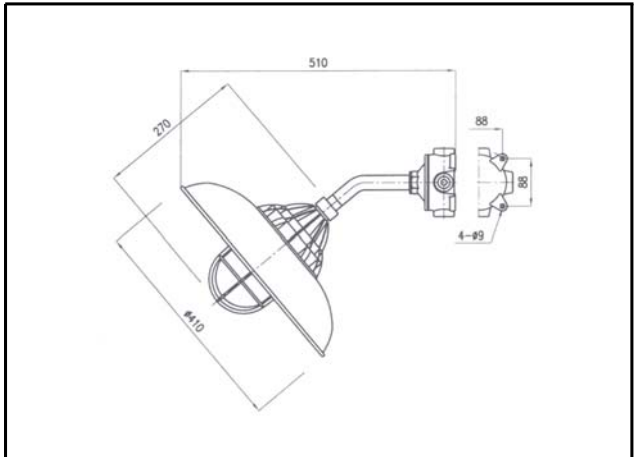
< VDY Pendant Type >



< VDY 90° Bracket Type >



< VDY Ceiling Type >



< VDY 40° Bracket Type >