

TYPE
"_"

REV.NO.	DATE	DESCRIPTION	REV'D BY	CHE'D BY	APP'D BY
△					
△					
△					

SELECTION TABLE

ITEM NO.	LAMP	LAMP SIZE	Q'TY	SUPPLY VOLTAGE	FREQUENCY		HUB SCHEDULE
		<input type="checkbox"/> 100W <input type="checkbox"/> 200W	SET SET		<input type="checkbox"/> DC110V <input type="checkbox"/> AC110V	<input type="checkbox"/> AC220V <input type="checkbox"/> AC240V	
	INCANDESCENT LAMP				THREAD	<input type="checkbox"/> NPT <input type="checkbox"/> PF <input type="checkbox"/> MM <input type="checkbox"/>	
					SIZE	<input type="checkbox"/> 1/2" <input type="checkbox"/> 3/4" <input type="checkbox"/> M <input type="checkbox"/>	
					LOCATION	 <input type="checkbox"/> 1-2 <input type="checkbox"/> 1-3 <input type="checkbox"/> 1-2-3 <input type="checkbox"/> 1-2-3-4	
						<input type="checkbox"/> W/2-BLIND PLUGS <input type="checkbox"/> NONE	

NOTE

1.

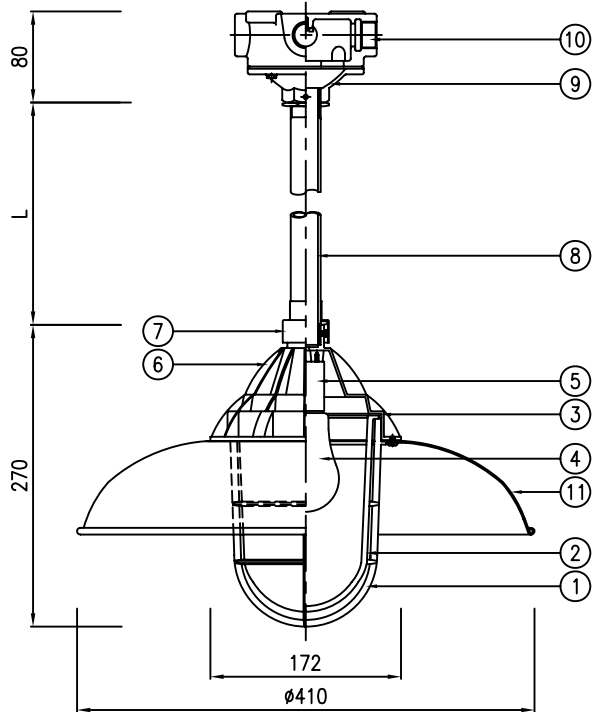
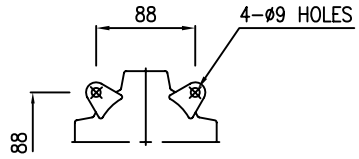
NO	PARTS	MATERIAL	REMARK
11	REFLECTOR	WHITE COATING ALUMINIUM	
10	MOUNTING BOX	CAST IRON	
9	FLANGE	DIE CASTING ALUMINIUM	
8	NIPPLE	STEEL	
7	WEATHERPROOF CAP	SILICONE RUBBER	
6	BODY	DIE CASTING ALUMINIUM	
5	LAMP HOLDER	PORCELAIN W/MEDIUM SOCKET	E26
4	LAMP	INCANDESCENT LAMP	
3	GLOBE GASKET	SILICON RUBBER	
2	GLOBE	HEAT RESISTANT HARD GLASS	
1	GUARD	DIE CASTING ALUMINIUM	

SCALE	N.S	APPROVED BY	
UNIT	mm	CHECKED BY	
DATE		DRAWN BY	

NB 南北電氣株式會社
NAMBUK ELECTRIC CO.,LTD

TITLE	IL LTG. FIXTURE (CEILING MTG. TYPE)		APPLICATION AREA	
CAT NO.	VDY SERIES		WEATHER PROOF TYPE	
COLOR FINISHING	MUNSELL NO. 7.5BG 6/1.5		DRAWING NO.	N B - V L H - D 1 - A 0 1

* LENGTH(L) ORDER MADE.



TYPE
"_"

REV.NO.	DATE	DESCRIPTION	REV'D BY	CHE'D BY	APP'D BY
△					
△					
△					

SELECTION TABLE

ITEM NO.	LAMP	LAMP SIZE	Q'TY	SUPPLY VOLTAGE	FREQUENCY	
					<input type="checkbox"/> DC110V <input type="checkbox"/> AC220V	<input type="checkbox"/> AC110V <input type="checkbox"/> AC240V
	INCANDESCENT LAMP	<input type="checkbox"/> 100W	SET	HUB SCHEDULE	THREAD	<input type="checkbox"/> NPT <input type="checkbox"/> PF <input type="checkbox"/> MM <input type="checkbox"/>
		<input type="checkbox"/> 200W	SET		SIZE	<input type="checkbox"/> 1/2" <input type="checkbox"/> 3/4" <input type="checkbox"/> M <input type="checkbox"/>
				HUB SCHEDULE	LOCATION	 <input type="checkbox"/> 1-2 <input type="checkbox"/> 1-3 <input type="checkbox"/> 1-2-3 <input type="checkbox"/> 1-2-3-4
						<input type="checkbox"/> W/2-BLIND PLUGS <input type="checkbox"/> NONE

NOTE

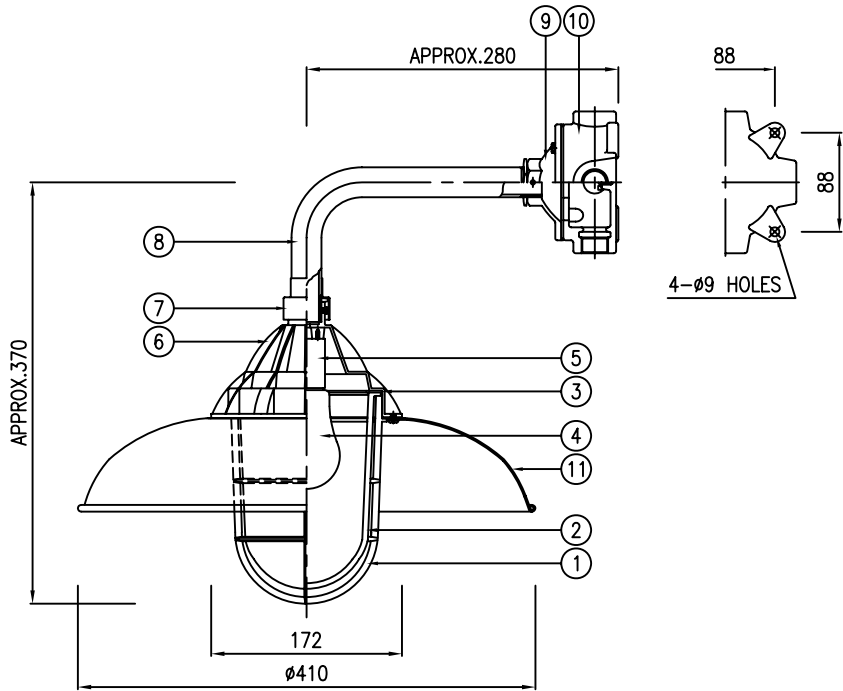
1.

NO	PARTS	MATERIAL	REMARK
11	REFLECTOR	WHITE COATING ALUMINIUM	
10	MOUNTING BOX	CAST IRON	
9	FLANGE	DIE CASTING ALUMINIUM	
8	SUSPENSION STEM	REGID STEEL PIPE	
7	WEATHERPROOF CAP	SILICONE RUBBER	
6	BODY	DIE CASTING ALUMINIUM	
5	LAMP HOLDER	PORCELAIN W/MEDIUM SOCKET	E26
4	LAMP	INCANDESCENT LAMP	
3	GLOBE GASKET	SILICON RUBBER	
2	GLOBE	HEAT RESISTANT HARD GLASS	
1	GUARD	DIE CASTING ALUMINIUM	

SCALE	N.S	APPROVED BY	
UNIT	mm	CHECKED BY	
DATE		DRAWN BY	

NB 南北電氣株式會社
NAMBUK ELECTRIC CO.,LTD

TITLE	IL LTG. FIXTURE (PENDANT MTG. TYPE)		APPLICATION AREA	
CAT NO.	VDY SERIES		WEATHER PROOF TYPE	
COLOR FINISHING	MUNSELL NO. 7.5BG 6/1.5		CLASS OF PROTECTION	DRAWING NO.
			N	B - V L H - D 1 - A 0 1



TYPE
"_"

REV.NO.	DATE	DESCRIPTION	REV'D BY	CHE'D BY	APP'D BY
△					
△					
△					

SELECTION TABLE

ITEM NO.	LAMP	LAMP SIZE	Q'TY	SUPPLY VOLTAGE	FREQUENCY				
		<input type="checkbox"/> 100W	SET		<input type="checkbox"/> DC110V	<input type="checkbox"/> AC220V	<input type="checkbox"/> 50Hz		
	INCANDESCENT LAMP	<input type="checkbox"/> 200W	SET	<input type="checkbox"/> AC110V	<input type="checkbox"/> AC240V	<input type="checkbox"/> 60Hz			
				HUB SCHEDULE	THREAD	<input type="checkbox"/> NPT	<input type="checkbox"/> PF	<input type="checkbox"/> MM	<input type="checkbox"/>
					SIZE	<input type="checkbox"/> 1/2"	<input type="checkbox"/> 3/4"	<input type="checkbox"/> M	<input type="checkbox"/>
				HUB SCHEDULE	LOCATION				
						<input type="checkbox"/> 1-2 <input type="checkbox"/> 1-3 <input type="checkbox"/> 1-2-3 <input type="checkbox"/> 1-2-3-4 <input type="checkbox"/> W/2-BLIND PLUGS <input type="checkbox"/> NONE			

NOTE

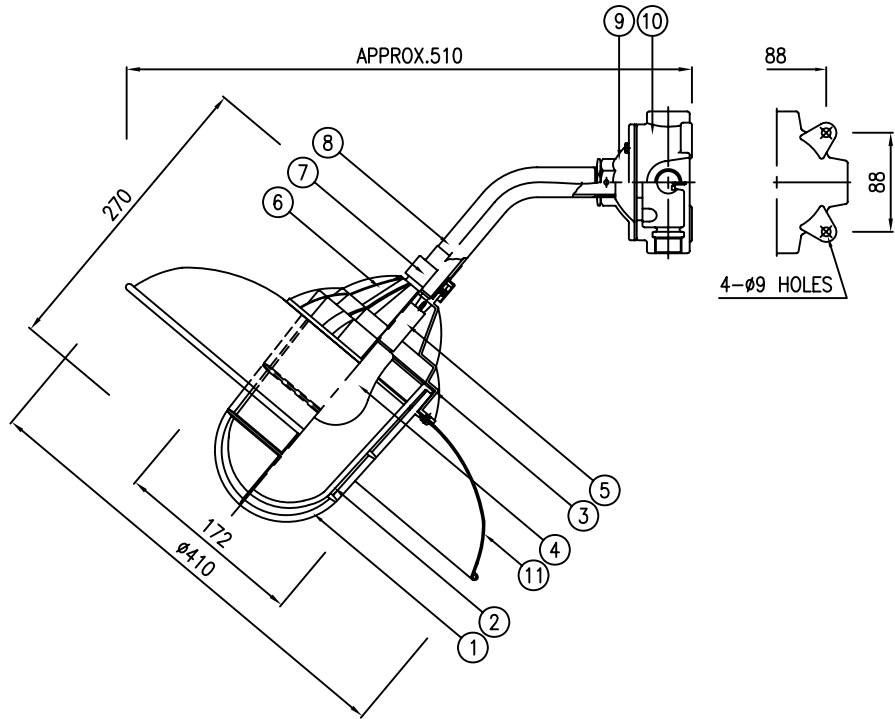
1.

NO	PARTS	MATERIAL	REMARK
11	REFLECTOR	WHITE COATING ALUMINIUM	
10	MOUNTING BOX	CAST IRON	
9	FLANGE	DIE CASTING ALUMINIUM	
8	SUSPENSION STEM	REGID STEEL PIPE	
7	WEATHERPROOF CAP	SILICONE RUBBER	
6	BODY	DIE CASTING ALUMINIUM	
5	LAMP HOLDER	PORCELAIN W/MEDIUM SOCKET	E26
4	LAMP	INCANDESCENT LAMP	
3	GLOBE GASKET	SILICON RUBBER	
2	GLOBE	HEAT RESISTANT HARD GLASS	
1	GUARD	DIE CASTING ALUMINIUM	

SCALE	N.S	APPROVED BY	
UNIT	mm	CHECKED BY	
DATE		DRAWN BY	

NB 南北電氣株式會社
NAMBUK ELECTRIC CO.,LTD

TITLE	IL LTG. FIXTURE (BRACKET MTG. TYPE)			APPLICATION AREA	
CAT NO.	VDY SERIES		CLASS OF PROTECTION	WEATHER PROOF TYPE	
COLOR FINISHING	MUNSELL NO. 7.5BG 6/1.5		DRAWING NO.	N	B - V L H - D 1 - A 0 1



TYPE
"_"

REV.NO.	DATE	DESCRIPTION	REV'D BY	CHE'D BY	APP'D BY
△					
△					
△					

SELECTION TABLE

ITEM NO.	LAMP	LAMP SIZE	Q'TY	SUPPLY VOLTAGE	FREQUENCY	
					<input type="checkbox"/> DC110V <input type="checkbox"/> AC220V	<input type="checkbox"/> 50Hz <input type="checkbox"/> 60Hz
	INCANDESCENT LAMP	<input type="checkbox"/> 100W	SET		HUB SCHEDULE	
		<input type="checkbox"/> 200W	SET		THREAD	<input type="checkbox"/> NPT <input type="checkbox"/> PF <input type="checkbox"/> MM <input type="checkbox"/>
					SIZE	<input type="checkbox"/> 1/2" <input type="checkbox"/> 3/4" <input type="checkbox"/> M <input type="checkbox"/>
					LOCATION	 <input type="checkbox"/> 1-2 <input type="checkbox"/> 1-3 <input type="checkbox"/> 1-2-3 <input type="checkbox"/> 1-2-3-4
						<input type="checkbox"/> W/2-BLIND PLUGS <input type="checkbox"/> NONE

NOTE

1.

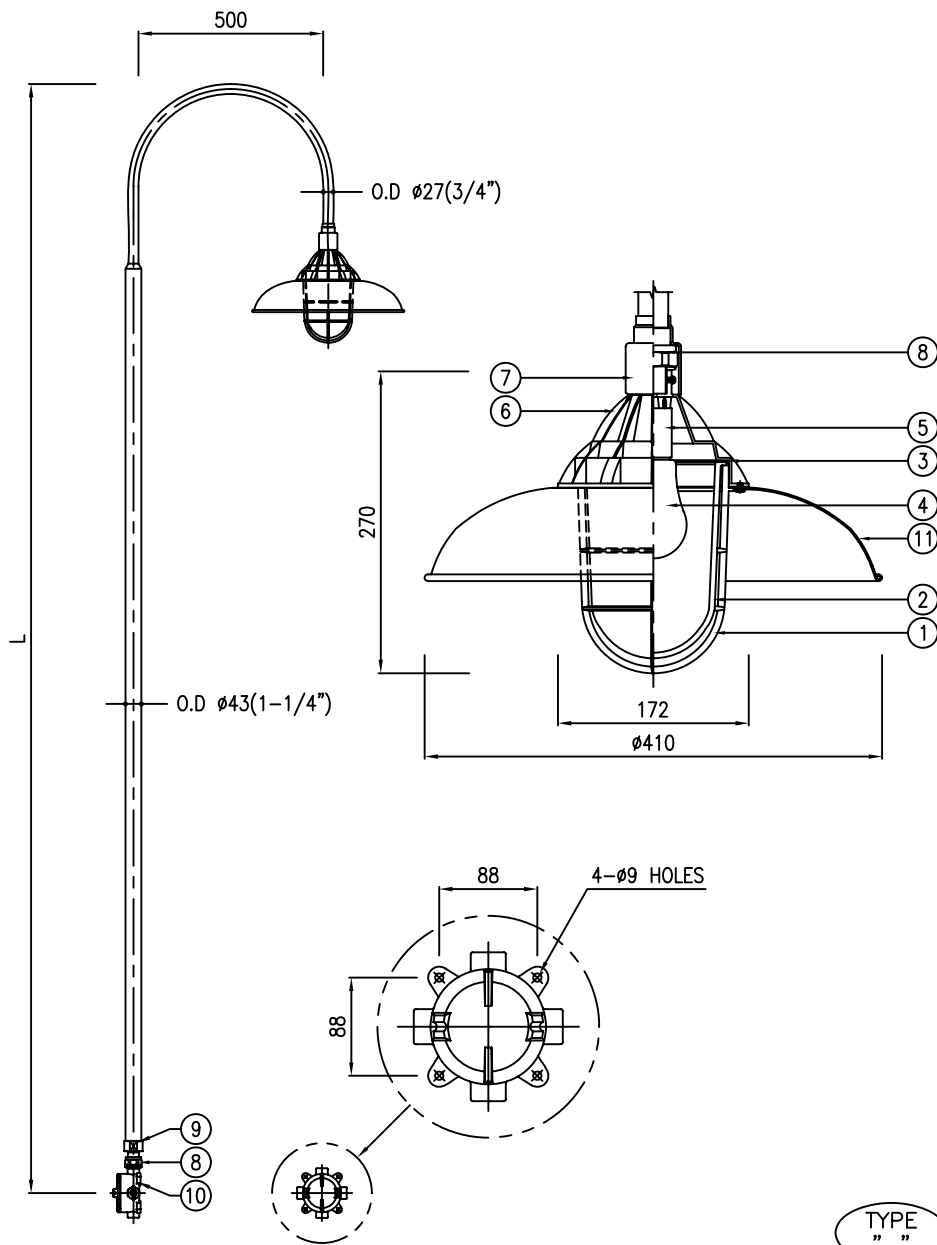
NO	PARTS	MATERIAL	REMARK
11	REFLECTOR	WHITE COATING ALUMINIUM	
10	MOUNTING BOX	CAST IRON	
9	FLANGE	DIE CASTING ALUMINIUM	
8	SUSPENSION STEM	REGID STEEL PIPE	
7	WEATHERPROOF CAP	SILICONE RUBBER	
6	BODY	DIE CASTING ALUMINIUM	
5	LAMP HOLDER	PORCELAIN W/MEDIUM SOCKET	E26
4	LAMP	INCANDESCENT LAMP	
3	GLOBE GASKET	SILICON RUBBER	
2	GLOBE	HEAT RESISTANT HARD GLASS	
1	GUARD	DIE CASTING ALUMINIUM	

SCALE	N.S	APPROVED BY	
UNIT	mm	CHECKED BY	
DATE		DRAWN BY	

NB 南北電氣株式會社
NAMBUK ELECTRIC CO.,LTD

TITLE	IL LTG. FIXTURE (40° BRACKET MTG. TYPE)		APPLICATION AREA	
CAT NO.	VDY SERIES		WEATHER PROOF TYPE	
COLOR FINISHING	MUNSELL NO. 7.5BG 6/1.5		DRAWING NO.	N B - V L H - D 1 - A 0 1

* LENGTH(L) ORDER MADE.



REV.NO.	DATE	DESCRIPTION	REV'D BY	CHE'D BY	APP'D BY
△					
△					
△					

SELECTION TABLE

ITEM NO.	LAMP	LAMP SIZE	Q'TY	SUPPLY VOLTAGE		FREQUENCY	HUB SCHEDULE	
				<input type="checkbox"/> DC110V	<input type="checkbox"/> AC220V		THREAD	<input type="checkbox"/> NPT
	INCANDESCENT LAMP	<input type="checkbox"/> 100W	SET	<input type="checkbox"/> AC110V	<input type="checkbox"/> AC240V	<input type="checkbox"/> 50Hz <input type="checkbox"/> 60Hz	SIZE	<input type="checkbox"/> 1/2" <input type="checkbox"/> 3/4" <input type="checkbox"/> M <input type="checkbox"/>
		<input type="checkbox"/> 200W	SET	LOCATION	POLE <input type="checkbox"/> P-1 <input type="checkbox"/> P-2 <input type="checkbox"/> P-1-2 <input type="checkbox"/> P-1-2-3 <input type="checkbox"/> W/2-BLIND PLUGS <input type="checkbox"/> NONE			

NOTE

1.

NO	PARTS	MATERIAL	REMARK
11	REFLECTOR	WHITE COATING ALUMINIUM	
10	MOUNTING BOX	CAST IRON	
9	SOCKET	CARBON STEEL	
8	UNION COUPLING	CARBON STEEL	
7	WEATHERPROOF CAP	SILICONE RUBBER	
6	BODY	DIE CASTING ALUMINIUM	
5	LAMP HOLDER	PORCELAIN W/MEDIUM SOCKET	E26
4	LAMP	INCANDESCENT LAMP	
3	GLOBE GASKET	SILICON RUBBER	
2	GLOBE	HEAT RESISTANT HARD GLASS	
1	GUARD	DIE CASTING ALUMINIUM	

SCALE	N.S	APPROVED BY	
UNIT	mm	CHECKED BY	
DATE		DRAWN BY	

NB 南北電氣株式會社
NAMBUK ELECTRIC CO.,LTD

TITLE	IL LTG. FIXTURE (HAND RAIL TYPE)		APPLICATION AREA	
CAT NO.	VDY SERIES		CLASS OF PROTECTION	WEATHER PROOF TYPE
COLOR FINISHING	LTG. FIXTURE : MUNSELL NO. 7.5BG 6/1.5 POLE : HOT DIP GALVANIZED		DRAWING NO.	N B - V L H - D 1 - A 0 1