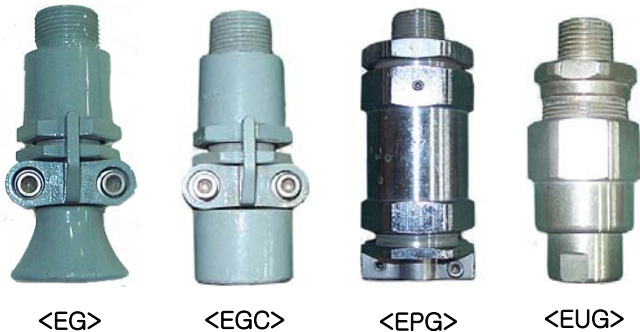


## Conduit Fittings Packing Cable Gland

❖ Type of Explosion-proof  
Flameproof ( Ex d IIC )



### ❖ Features

- Compact size for close nesting of cables.
- Easy and fast to install
- Hex design for easy wrenching

### ❖ Compliance & Certification

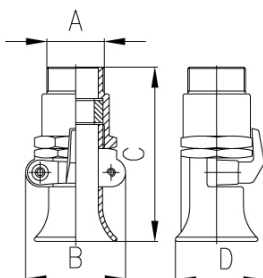
- IEC 60079-0, 1
- Certified by KOSHA (Korea Occupational Safety & Health Agency), KGS (Korea Gas Safety Corporation), and the others.

### ❖ Application

These cable glands are :

- EPG is designed to provide flameproof packing type cable gland for corrugated steel armoured cable
- EUG is fit to the threaded conduit entries and used for the purpose of leading the unarmoured cable at open area.
- Available in metric and NPT inlet threads

### ◎ EG



Hub Size	Cable Size	Cat No.	A	B	C	D
1/2" 16C	∅7-∅09	EG 16-9	1/2"	42	97	40
	∅9-∅12	EG 16-12				
3/4" 22C	∅11-∅14	EG 22-14	3/4"	49	104	44
1" 28C	∅14-∅19	EG 28-19	1"	59	110	48
1-1/4" 36C	∅19-∅24	EG 36-24	1-1/4"	76	147	62
1-1/2" 42C	∅24-∅28	EG 42-28	1-1/2"	88	156	71
2" 54C	∅28-∅33	EG 54-33	2"	102	182	87
	∅33-∅39	EG 70-39				
2-1/2" 70C	∅39-∅44	EG 70-44	2-1/2"	122	200	103
	∅44-∅49	EG 82-49				
3" 82C	∅49-∅54	EG 82-54	3"	142	225	117
	∅54-∅69	EG 104-69				
4" 104C	∅54-∅69	EG 104-69	4"	182	264	149

### ❖ Standard Materials

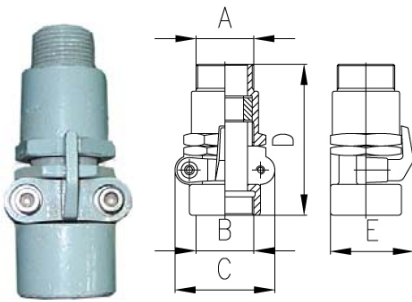
- Die Cast Aluminium

### ❖ Standard Finish

- Stove enamelled grayish blue
- If you want another color, contact us please.

# Conduit Fitting

## ◎ EGC



### ❖ Standard Materials

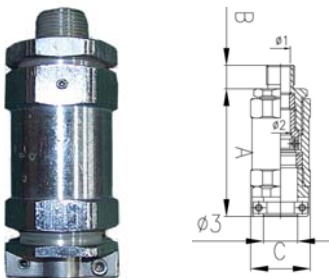
- Die Cast Aluminium

### ❖ Standard Finish

- Stove enamelled grayish blue

Hub Size	Cable Size	Cat No.	A	B	C	D
1/2" 16C	∅07-∅09	EGC 16-9	1/2"	42	97	40
	∅09-∅12	EGC 16-12				
3/4" 22C	∅11-∅14	EGC 22-14	3/4"	49	104	44
1" 28C	∅14-∅19	EGC 28-19	1"	59	110	48
1-1/4" 36C	∅19-∅24	EGC 36-24	1-1/4"	76	147	62
1-1/2" 42C	∅24-∅28	EGC 42-28	1-1/2"	88	156	71
2" 54C	∅28-∅33	EGC 54-33	2"	102	182	87
	∅33-∅39	EGC 70-39				
2-1/2" 70C	∅39-∅44	EGC 70-44	2-1/2"	122	200	103
	∅44-∅49	EGC 82-49				
3" 82C	∅49-∅54	EGC 82-54	3"	142	225	117
	∅54-∅59	EGC 104-54				
4" 104C	∅59-∅69	EGC 104-69	4"	182	264	149

## ◎ EPG



### ❖ Standard Materials

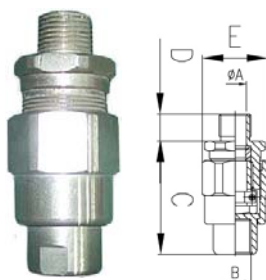
- Steel
- Option : Stainless steel  
Brass

### ❖ Standard Finish

- Stove enamelled grayish blue

Hub Size	Cat No	Dimension			Cable Diameter		
		A	B	C	1	2	3
1/2" 16C	EPG A16	117	22	49	∅09-∅12	∅13-∅19	∅19-∅24
3/4" 22C	EPG A22	121	22	56	∅11-∅16	∅15-∅23	∅21-∅28
1" 28C	EPG A28	128	27	64	∅16-∅21	∅22-∅28	∅27-∅33
1-1/4" 36C	EPG A36	130	27	79	∅20-∅28	∅26-∅37	∅32-∅42
1-1/2" 42C	EPG A42	168	27	89	∅28-∅33	∅35-∅43	∅41-∅48
2" 54C	EPG A54	170	27	109	∅33-∅44	∅43-∅55	∅48-∅60
2-1/2" 70C	EPG A70	184	38	129	∅44-∅57	∅54-∅70	∅59-∅75
3" 82C	EPG A82	196	38	149	∅57-∅69	∅68-∅81	∅73-∅86
4" 104C	EPG A104	199	38	169	∅69-∅80	∅78-∅93	∅78-∅98

## ◎ EUG



<EUG>

### ❖ Standard Materials

- Steel
- Option : Stainless steel  
Brass

### ❖ Standard Finish

- Stove enamelled grayish blue

Hub Size	Cable Size	Cat No.	A	B	C	D	E
1/2" 16C	∅07-∅09	EUG 16-9	13	1/2"	76	22	41
	∅09-∅11	EUG 16-11					
3/4" 22C	∅10-∅13	EUG 22-13	18	3/4"	77	22	49
	∅13-∅15	EUG 22-15					
1" 28C	∅14-∅18	EUG 28-18	23	1"	83	27	54
	∅18-∅20	EUG 28-20					
1-1/4" 36C	∅18-∅23	EUG 36-23	28	1-1/4"	84	27	64
	∅23-∅26	EUG 36-26					
1-1/2" 42C	∅23-∅28	EUG 42-28	34	1-1/2"	103	27	75
	∅28-∅31	EUG 42-31					
2" 54C	∅27-∅34	EUG 54-34	42	2"	105	27	84
	∅34-∅38	EUG 54-38					
2-1/2" 70C	∅33-∅41	EUG 70-41	55	2-1/2"	118	38	100.5
	∅41-∅49	EUG 70-49					
3" 82C	∅41-∅52	EUG 82-52	64	3"	121	38	118
	∅52-∅60	EUG 82-60					
4" 104C	∅55-∅65	EUG 104-65	85	4"	129	38	139
	∅65-∅75	EUG 104-75					