

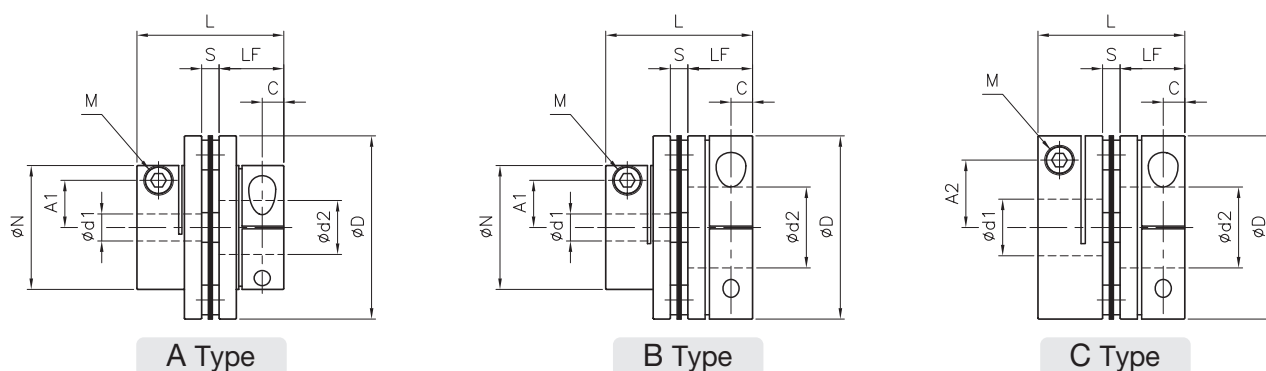
Disk Coupling

Specification and Dimension

Specification (SYC-SA)

Type	Acceptable torque (N.m)	Mounting tolerance			Revolution per minute (rpm)	Torsional stiffness (N.m/rad)	Axial torsional stiffness (N/mm)	Pattern	Inertia moment (kg m ²)	Mass (g)
		Eccentricity (mm)	Deflection angle (°)	Axial displacement (mm)						
SYC-010SA	1	0.02	1	±0.1	10000	1800	140	C	0.75 x 10 ⁻⁶	13
SYC-020SA	2	0.02	1	±0.15	10000	4600	64	C	2.45 x 10 ⁻⁶	25
SYC-030SA	5	0.02	1	±0.2	10000	10000	64	A	3.80 x 10 ⁻⁶	31
								B	5.99 x 10 ⁻⁶	40
								C	8.16 x 10 ⁻⁶	50
SYC-035SA	8	0.02	1	±0.25	10000	11200	100	C	18 x 10 ⁻⁶	80
SYC-040SA	10	0.02	1	±0.3	10000	20000	80	A	15.5 x 10 ⁻⁶	70
								B	22.6 x 10 ⁻⁶	90
								C	29.7 x 10 ⁻⁶	110
SYC-050SA	25	0.02	1	±0.4	10000	40000	48	A	50.6 x 10 ⁻⁶	150
								B	75.4 x 10 ⁻⁶	180
								C	100 x 10 ⁻⁶	220
SYC-060SA	60	0.02	1	±0.45	10000	58000	76.4	A	131.6 x 10 ⁻⁶	260
								B	199.6 x 10 ⁻⁶	330
								C	267.7 x 10 ⁻⁶	400
SYC-080SA	100	0.02	1	±0.55	10000	120000	110	C	736.5 x 10 ⁻⁶	750
SYC-090SA	180	0.02	1	±0.6	10000	150000	122	C	1280 x 10 ⁻⁶	1080
SYC-100SA	250	0.02	1	±0.7	10000	230000	160	C	1900 x 10 ⁻⁶	1330

Dimension (SYC-SA)



Type	D	N	L	LF	LP	S	A1	A2	C	M	Coupling torque (N.m)	Pattern	d1		d2		
													Minimum	Maximum	Minimum	Maximum	
SYC-010SA	19	-	19.5	9	-	1.5	-	6.5	3.3	M2.5	1.0	C	4	8	4	8	
SYC-020SA	26	-	23.5	10.5	-	2.5	-	9.5	3.5	M2.5	1.0	C	5	10	5	10	
SYC-030SA	34	22	27.1	12	-	3.1	8	-	4	M3	1.5	C	A	6.35	10	6.35	10
							8	12.5					B	6.35	10	10	14
							-	12.5					C	10	14	10	14
SYC-035SA	39	-	32.35	14	-	4.35	-	13.5	4.5	M4	3.4	C	8	16	8	16	
SYC-040SA	44	30	34.5	15	-	4.5	11	-	5	M4	3.4	C	A	9	15	9	15
							11	16					B	9	15	15	19
							-	16					C	15	19	15	19
SYC-050SA	56	38	44.5	20	-	4.5	14.5	-	7	M5	7.0	C	A	11	19	11	19
							14.5	21					B	11	19	19	25
							-	21					C	19	25	19	25
SYC-060SA	68	46	53.5	24	-	5.5	17.5	-	8	M6	14	C	A	14	24	14	24
							17.5	25					B	14	24	24	30
							-	25					C	24	30	24	30
SYC-080SA	83	-	68	30	-	8	-	28	9	M8	30	C	18	35	18	35	
SYC-090SA	94	-	68	30	-	8	-	34	9	M8	30	C	25	40	25	40	
SYC-100SA	104	-	70	30	-	10	-	39	9	M8	30	C	35	45	35	45	

※ If you need larger dimensions, please contact us.

※ The recommended tolerance of relative axes is h7.

※ The dimensions shown in the catalogue are subject to change without notice for product improvement. For any question, please contact Nara Drive.