

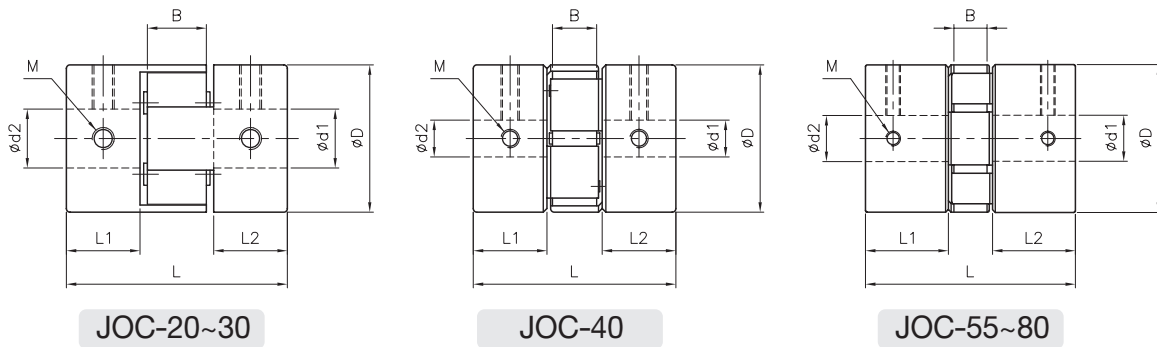
Jaw Coupling

Specification and Dimension

Specification (SYC-SA)

Type	Commercial torque (N,m)	Max.torque (N,m)	Torsional stiffness (N.m/rad)	Inertia moment (kg m ²)	Mounting tolerance			Mass (g)	Revolution per minute (rpm)
					Eccentricity (mm)	Deflection angle (°)	Axial displacement (mm)		
JOC-20	5	10	43	1.0×10^{-6}	0.1	1	+0.8	18	10000
JOC-25	9	18	80	2.4×10^{-6}	0.1	1	+1.0	25	10000
JOC-30	12.5	25	130	5.9×10^{-6}	0.1	1	+1.0	46	10000
JOC-40	17	34	1420	3.9×10^{-5}	0.1	1	+1.2	150	10000
JOC-55	60	120	2000	1.7×10^{-4}	0.1	1	+1.4	350	7000
JOC-65	160	320	3100	3.9×10^{-4}	0.1	1	+1.5	570	5900
JOC-80	325	650	6000	1.1×10^{-3}	0.1	1	+1.8	1150	4800

Dimension (SYC-SA)



Type	External diameter (D)	Length (L)	Internal diameter		Hub (L1, L2)	Element (B)	Set screw (M)	Coupling torque (N,m)
			d1	d2				
JOC-20	20	30	4~8	4~8	10	8	M3	0.7
JOC-25	25	32	5~10	5~10	10	9	M4	1.7
JOC-30	30	35	6~14	6~14	11.5	10	M4	1.7
JOC-40	40	66	8~20	8~20	25	12	M5	3.6
JOC-55	55	78	10~28	10~28	30	14	M6	7.0
JOC-65	65	90	14~35	14~35	35	15	M8	15
JOC-80	80	114	19~45	19~45	45	18	M8	15

※ The dimensions shown in the catalogue are subject to change without notice for product improvement. For any question, please contact Nara Drive.