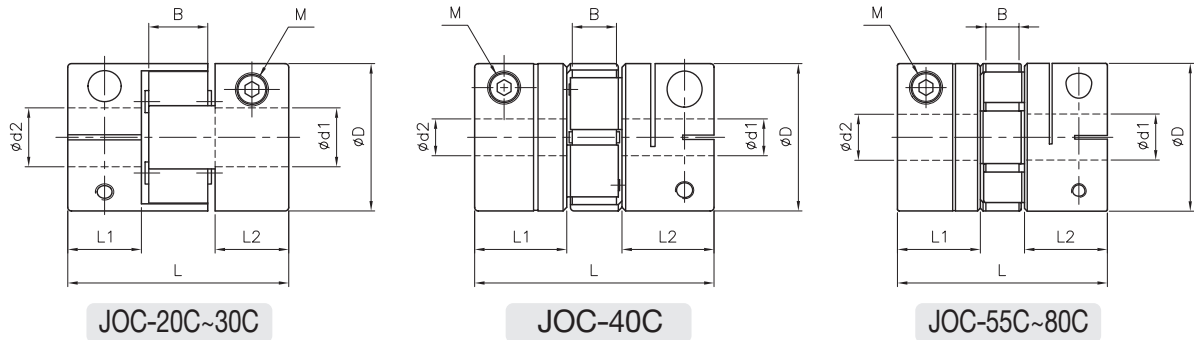


## Specification and Dimension

### Specification (SYC-DA)

| Type    | Commercial torque (N.m) | Max. torque (N.m) | Torsional stiffness (N.m/rad) | Inertia moment (kg m <sup>2</sup> ) | Mounting tolerance |                      |                         | Mass (g) | Revolution per minute (rpm) |
|---------|-------------------------|-------------------|-------------------------------|-------------------------------------|--------------------|----------------------|-------------------------|----------|-----------------------------|
|         |                         |                   |                               |                                     | Eccentricity (mm)  | Deflection angle (°) | Axial displacement (mm) |          |                             |
| JOC-20C | 5                       | 10                | 43                            | $1.1 \times 10^{-6}$                | 0.1                | 1                    | +0.8                    | 19       | 10000                       |
| JOC-25C | 9                       | 18                | 80                            | $2.4 \times 10^{-6}$                | 0.1                | 1                    | +1.0                    | 25       | 10000                       |
| JOC-30C | 12.5                    | 25                | 130                           | $6.2 \times 10^{-6}$                | 0.1                | 1                    | +1.0                    | 50       | 10000                       |
| JOC-40C | 17                      | 34                | 1420                          | $4.0 \times 10^{-5}$                | 0.1                | 1                    | +1.2                    | 160      | 10000                       |
| JOC-55C | 60                      | 120               | 2000                          | $1.6 \times 10^{-4}$                | 0.1                | 1                    | +1.4                    | 330      | 7000                        |
| JOC-65C | 160                     | 320               | 3100                          | $3.8 \times 10^{-4}$                | 0.1                | 1                    | +1.5                    | 560      | 5900                        |
| JOC-80C | 325                     | 650               | 6000                          | $1.0 \times 10^{-3}$                | 0.1                | 1                    | +1.8                    | 1050     | 4800                        |

### Dimension (SYC-DA)



| Type    | External diameter (D) | Length (L) | Internal diameter |       | Hub (L1, L2) | Element (B) | Set screw (M) | Coupling torque (N.m) |
|---------|-----------------------|------------|-------------------|-------|--------------|-------------|---------------|-----------------------|
|         |                       |            | d1                | d2    |              |             |               |                       |
| JOC-20C | 20                    | 30         | 4~8               | 4~8   | 10           | 8           | M2.5          | 1.0                   |
| JOC-25C | 25                    | 32         | 5~10              | 5~10  | 10           | 9           | M3            | 1.5                   |
| JOC-30C | 30                    | 35         | 6~14              | 6~14  | 11.5         | 10          | M4            | 3.4                   |
| JOC-40C | 40                    | 66         | 8~20              | 8~20  | 25           | 12          | M5            | 7.0                   |
| JOC-55C | 55                    | 78         | 10~28             | 10~28 | 30           | 14          | M6            | 14                    |
| JOC-65C | 65                    | 90         | 14~35             | 14~35 | 35           | 15          | M8            | 30                    |
| JOC-80C | 80                    | 114        | 19~45             | 19~45 | 45           | 18          | M8            | 30                    |

※ The dimensions shown in the catalogue are subject to change without notice for product improvement. For any question, please contact Nara Drive.