

AL-A/B Acoustic Louver



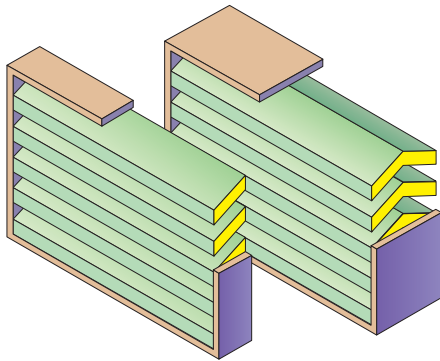
■ Features

The acoustic louver is installed in a place having enough area for ventilation where the rectangular sound attenuator is not available, but needs to be soundproofed. The casing is made of a galvanized steel plate with the thickness of 1.0~2.3 mm, and the inside of the louver splitter is filled with sound-absorbing material. It can prevent damage against the air current speed of 30M/S and the size of the acoustic louver splitter should be at least 150 mm.

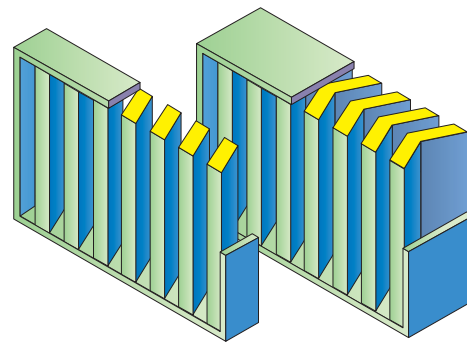
■ Specification

| Item | Name of Components | Thickness | Remark |
|-------------|------------------------|------------|--------------|
| Outer Plate | Galvanized Steel Plate | 1.0~2.3mm | - |
| | Punching Plate | Over 0.8mm | Ø5 x 7P, 46% |
| Splitter | Glass Cloth | 0.12mm | 18/25mm |
| | Glass Wool | Over 50mm | Over 40K |
| | Glass Cloth | 0.12mm | 18/25mm |
| | Punching Plate | Over 0.8mm | Ø5 x 7P, 46% |

■ Types of Acoustic Louver



-Horizontal splitter-



-Vertical splitter-

■ Installation features

