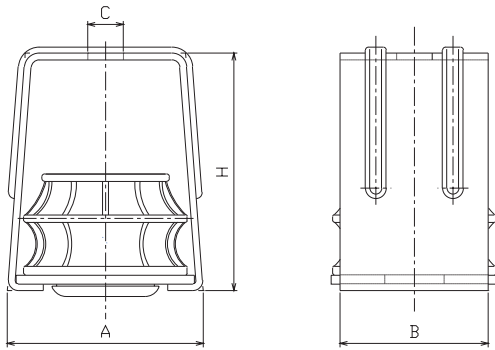


RH10 Rubber Hanger (Deflection: 3.5~13mm)

※ The model name of RH product has changed to RH10



■ Features

RH10 type anti-vibration rubber hanger prevents the transfer of vibration generated from equipment or its parts to the structure, and its housing is strong enough to stand load transferred and avoid resonance. With the open rubber having a static deflection of 3.5~13 mm, it can maintain the system's natural frequency down to 5~12 Hz.

■ Usage

- ◆ For machine rooms, ventilators in air conditioning rooms and ducts
- ◆ For small fan and duct in line fan
- ◆ For structures suspended from the ceiling of, for example, studios and acoustical laboratories
- ◆ For ceiling mounted FCU

■ Dimension & Selection Guide

Type	Capacity (kgf)	Hardness (Hs)	Deflection (mm)	Weight (kg)	Dimension(mm)				
					A	B	C	H	Hanging Bolt
RH10-A	25~100	60±5	3.5~13	0.36	65	50	∅12	80	M10
RH10-B	150~400		5.0~13	0.76	91	70	∅14	102	M12
RH10-C	500~750		6.7~13	1.24	105	75	∅20	120	M16
RH10-D	800~1200		9~13	1.85	143	90	∅20	140	M16

(NOTE) The mentioned size and scale can be altered to improve the quality performance and capacity of the product without any notice.

■ RH10 Test Data

