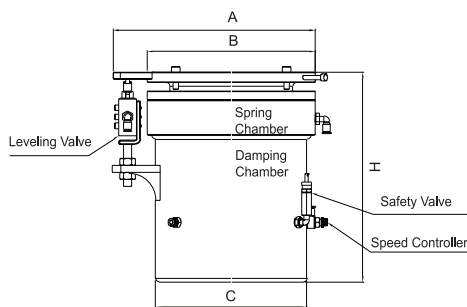


VAM20 Pneumatic Leveling Isolator

※ The model name of VAD product has changed to VVM20



■ Features

It is used to control the vibration of high-precision inspection and measurement equipment. Because it has a low natural frequency less than 2 Hz and causes no surging, it can provide excellent vibration isolation performance. The double diaphragm can also be used to lower its natural frequency. The leveling valve performs automatic leveling while the orifice connecting spring chamber and damping chamber offer a high attenuation of fluid and the speed controller helps control the attenuation ratio. In addition, the piston and viscous oil can help reduce attenuation to be even lower.

■ Usage

- ◆ High-precision measurement equipment, electron microscope and 3D coordinate measuring machine
- ◆ High-precision manufacturing machine and high-precision optical tester
- ◆ Environmental measurement equipment and high-precision calibration instrument
- ◆ High-precision vibration proofing foundation

■ Dimension & Selection Guide

Type	Capacity (kgf)	Dimension(mm)			
		A	B	C	H
VAM20-300	300	170	120	120	160
VAM20-800	800	220	170	150	220
VAM20-1500	1500	290	240	220	300
VAM20-3000	3000	350	300	270	300
VAM20-5000	5000	430	380	350	300
VAM20-10000	10000	550	500	460	300
VAM20-20000	20000	730	680	640	300

(NOTE) The mentioned size and scale can be altered to improve the quality performance and capacity of the product without any notice.

VAM30 Pneumatic Isolation Table

※ The model name of VAT product has changed to VAM30



■ Features

A high-precision vibration control table can be made using VAM30 auto-level air spring vibration isolator. The bottom of the air spring is made of steel frame with a height of 700~750 mm on average, and it can be made to order depending on the size of equipment. It maintains the horizontal-level precision of $\pm 1/100\text{mm}$ and the horizontal natural frequency between the air-spring mount and plate of about 2Hz.

■ Usage

- ◆ High-precision measurement equipment, electron microscopes and 3D coordinate measuring machines
- ◆ Environmental measurement equipment and high-precision calibration instruments
- ◆ For high-precision manufacturing machines and high-precision optical testers