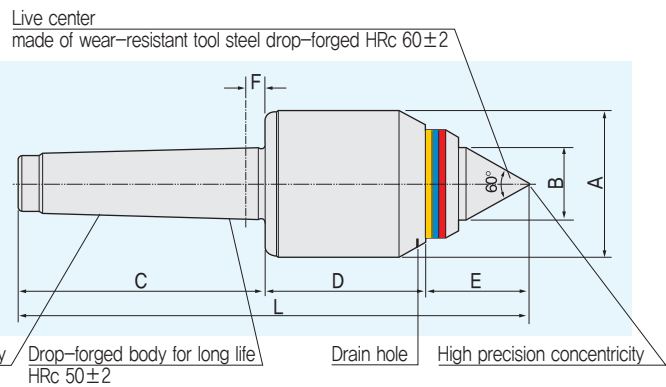
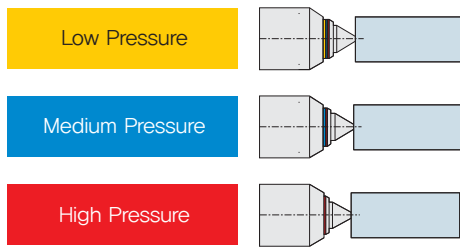
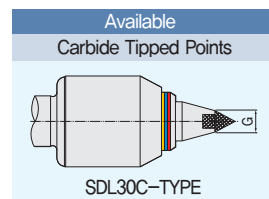
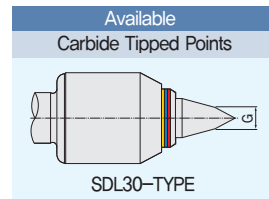
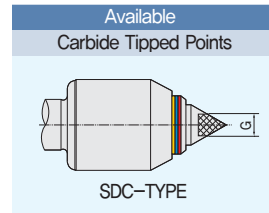


SD-TYPE

FEATURES ;

- Accuracy guaranteed to 0,003mm TIR (0.0001").
- Excellent complement to Face Driver.
- The axial force can easily be read off from a colored ring around the rotor.
- Automatic thrust adjustment and Quick operation.
- The high load dish spring is used to compensate for length variations in the work parts, as well as depth variations in the center holes of the work parts.
- Drain hole have to be located on bottom side.



Dimension

10	1	0	0	MT	SD-TYPE	Unit : mm, kg						
MODEL	MT	A	B	C	D	E	F	G	L	W,P Weight	Max, R.P.M	Max, Run Out
101002	2	45	22	68	49	28	6	10	145	400	5,000	0.003
101003	3	52	25	85	54	32	6	10	171	700	4,000	0.003
101004	4	65	32	108	70	45	8	14	223	1,200	3,000	0.003
101005	5	77	40	136	82	52	10	16	270	2,000	2,000	0.003

10	2	0	0	MT	SDL30-TYPE	Unit : mm, kg						
MODEL	MT	A	B	C	D	E	F	G	L	W,P Weight	Max, R.P.M	Max, Run Out
102002	2	45	22	68	49	49	6	10	157	320	5,000	0.003
102003	3	52	25	85	54	50	6	10	189	560	4,000	0.003
102004	4	65	32	108	70	62	8	14	240	960	3,000	0.003
102005	5	77	40	136	82	72	10	16	290	1,600	2,000	0.003