

VOLKAN ATTACHMENT

Wide working device enables to do diverse works.



MULTI - TACH SYSTEM
(One - touch detachable)

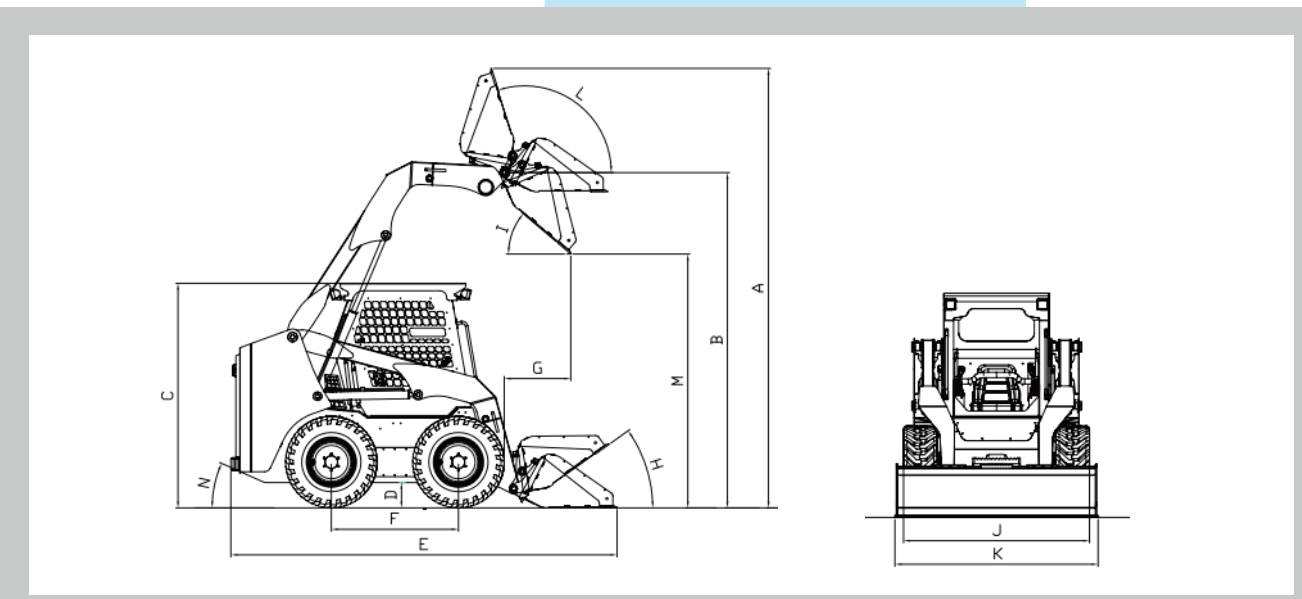


OPTION ATTACHMENT

- ✓ Cabin (Heater & Air-con)
- ✓ Auto Leveling Valve
- ✓ Floating Function
- ✓ High Flow System



GENERAL SPECIFICATIONS



Specification	measure	Model			
		PSL150D	PSL180D	PSL190D	
DIMENSIONS	A Overall Operariong height - Fully Raised	mm	3480	4065	4066
	B Height to Hinge Pin - Fully Raised	mm	2850	3090	3103
	C Overall Height to Top of ROPS	mm	1960	2086	2070
	D Ground Clearance to Chassis	mm	200	210	206
	E Overall Length with Bucket	mm	2950	3470	3715
	F Wheelbase	mm	916	1116	1180
	G Dump Reach at full Height	mm	500	455	565
	H Rollback at Ground	-	35°	29°	33.5°
	I Dump Angle	-	45°	43°	40°
	J Overall Width	mm	1480	1638	1726
	K Bucket Width	mm	1580	1740	1820
	L Rollback at Full Height	-	104°	98°	107°
	M Dump Height	mm	2200	2310	2320
	N Departure Angle	-	22°	20°	20°
ENGINE	Make	-	DAEDONG	DAEDONG	DAEDONG
	Model	-	4B43LWS	4F243T-D4	4F243T-D4
	Gross Output	HP(KW)	49(36.5)	74(55.2)	74(55.2)
CAPACITIES	Rated Operating Capacity	kg	600	890	1025
	Tipping Load	kg	1200	1780	2050
	Travel Speed	km/h	9.5	11.5	11.5
	Operarnting Weight	kg	2000	3250	3370
	Standard Specification Tire Size	-	10 x 16.5	12 x 16.5	12 x 16.5

PSD CONSTRUCTION EQUIPMENT AND AGRICULTURAL EQUIPMENT MANUFACTURING / SALES

56, Chimsan-ro 67-gil, Buk-gu, Daegu, Korea
 Tel. +82-53-353-7848
 Fax. +82-53-356-5313
 E-mail psd7848@hotmail.com / psd7848@naver.com
 www.psdhi.com

PSD HEAVY INDUSTRIES CO., LTD.

VOLKAN SKID STEER LOADER



Daedong Engine



Work efficiency has improved with a wide range by **strong power first among equals** and **economical fuel efficiency**.

High Quality Hydraulic System



< DANFOSS MOTOR >

< DANFOSS PUMP >

Through the direct transaction with world wide multinational companies such as **Danfoss**, and **Walvoil**, we seek **quality stability** first.

Easy of Maintenance



Through application of **open tilting canopy**, maintenance and simple **daily check** became possible.

Hydraulic Joystick



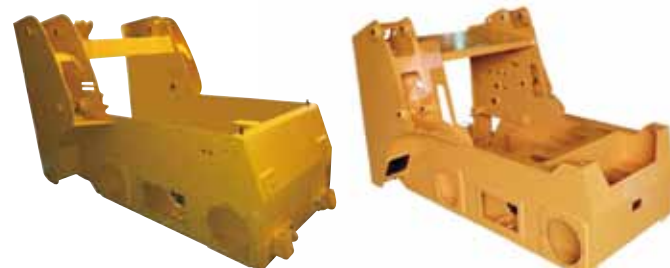
Traveling the loader and operating lift arm and bucket became **very easy** through the **hydraulic lever**. It also minimizes operator fatigue.

Driving Chain



Japanese **Tsubaki chain** which made of heavy duty steel does not need extra **tension adjustment** and according to its excellent durability, it can be used semipermanently.

High Strength Single Body Frame



<PSL170D>

<PSL190D>

It is substantial by using **high tensile steel plate**. As a single body frame, its **durability and safety** is **superior** to protect inner equipment.

The strongest power among equivalent models, excellent workability, the best performance and the application of diverse working devices! All these are for the realization of customers' impression.

Agriculture Sector

For farms that require lots of hands!
You can experience the outstanding working ability and convenience at limited spaces.



Bucket



Bale Clamp



Pallet Fork

Industry Sector

At harsh work environment!
You can experience the limitless Strong power and efficient works.



Wheel Saw



Crusher



Angle Sweeper

