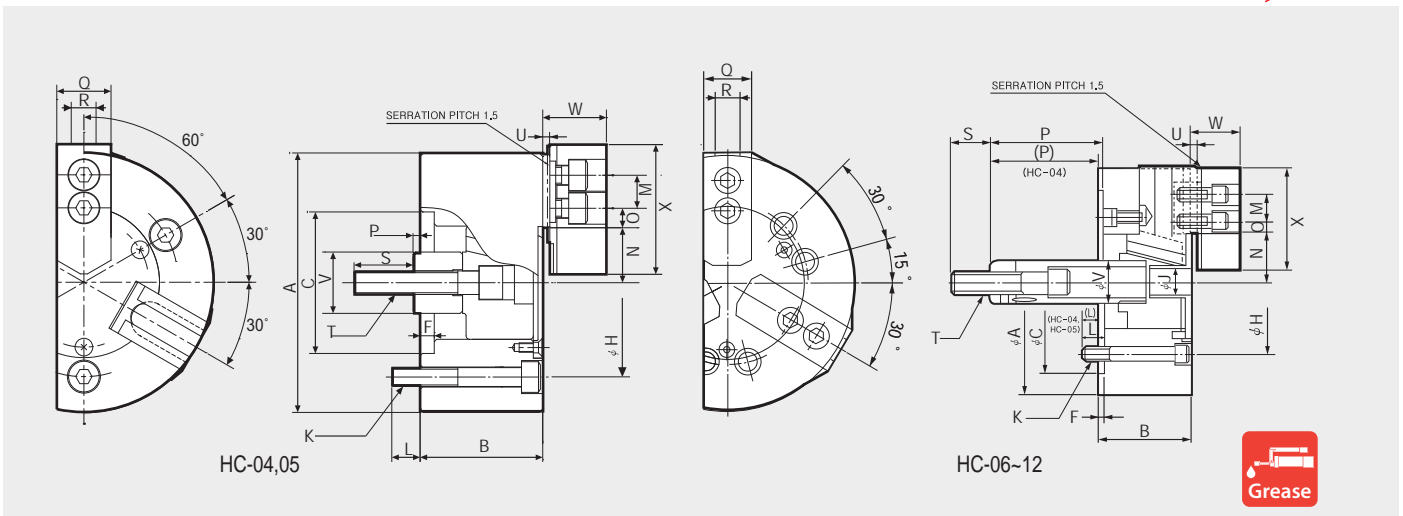




- Standard 3-jaw wedge-style closed-center power chuck

### HYDRAULIC CHUCK



It is recommended to grease chucks at least twice a day in order to maximize longevity.

#### Dimensions

	ΦA	B	ΦC(H6)	F	ΦH	ΦJ	K	L	M	Nmax.	Nmin.	Omax.	Omin.	Pmax.	Pmin.	Q	R	S	T	U	ΦV	W	X
HC-04	110	52	60	6	80	-	3-M8x55	12	14	23.3	20.1	11.25	8.25	17	3	23	10	25	M10x1.5	3	26	27	55
HC-05	135	55	80	7	100	-	3-M8x60	14	19	30.4	27.2	11.25	6.75	6	-8	23	10	35	M12x1.75	3	28	29	62
HC-06	165	74	140	5	104.8	21	6-M10x90	14	20	37.8	33.5	18	7.5	100	81.5	31	12	36	M16x2.0	4	34	35	72
HC-08	210	85	170	5	133.4	25	6-M12x100	20	25	46.3	41.9	22.25	9	111	92	35	14	36	M20x2.5	5	38	42	95
HC-10	254	89	220	5	171.4	34	6-M16X105	38	30	51.1	46.7	30.75	11.25	125	100	40	16	36	M20x2.5	5	45	46	110
HC-12	304	106	220	6	171.4	34	6-M16x120	38	30	61	55.75	48.75	12.75	163	133	50	18	36	M20x2.5	5	50	54	129

※ The numbers in parentheses in columns P and T are also available upon request.

#### Specifications

Type	Jaw Stroke	Plunger Stroke	Grip Dia. [mm]		Max. Permissible Input Force	Max. Static Gripping Force	Max. R.P.M.	Weight	GD <sup>2</sup>	Max. Hydraulic Pressure	Operating Cylinder		Operating Hard Jaw	KITAGAWA® Model
	[mm]	[mm]	Max.	Min.	[kN(kgf)]	[kN(kgf)]	[min-1(r.p.m.)]	[kgf]	[N·m <sup>2</sup> (kgf·m <sup>2</sup> )]	[Mpa(kgf/cm <sup>2</sup> )]	[Hydraulic]	[Pneumatic]		
HC-04	6.4	14	110	8	8.2(836)	22.8(2325)	6000	4.1	0.29(0.03)	2.4(24.5)	Y-0715R(RE)	AY-1315R	HB04N1	N-04
HC-05	6.4	14	135	16	8.2(836)	25.2(2570)	5500	6.2	0.59(0.06)	2.4(24.5)	Y-0715R(RE)	AY-1315R	HB04N1	N-05
HC-06	8.5	18.5	165	19	18(1835)	52.5(5353)	5270	13	1.777(0.18)	2.6(26.5)	Y-1020R(RE)	AY-1720R	HB06A1	N-06
HC-08	8.8	19	210	23	25(2549)	75(7648)	4760	25	5.39(0.55)	2.5(25.5)	Y-1225R(RE)	AY-2225R	HB08A1	N-08
HC-10	8.8	25	254	24	29(2957)	108(11013)	4010	37	11.77(1.20)	2.8(28.6)	Y-1225R(RE)	AY-2225R	HB10A1	N-10
HC-12	10.5	30	304	26	41(4181)	156(15907)	3380	57.3	28.44(2.90)	2.7(27.5)	Y-1530R(RE)	AY-2730R	HB12B1	N-12

※ Maximum turning speed is based upon actual measurement.

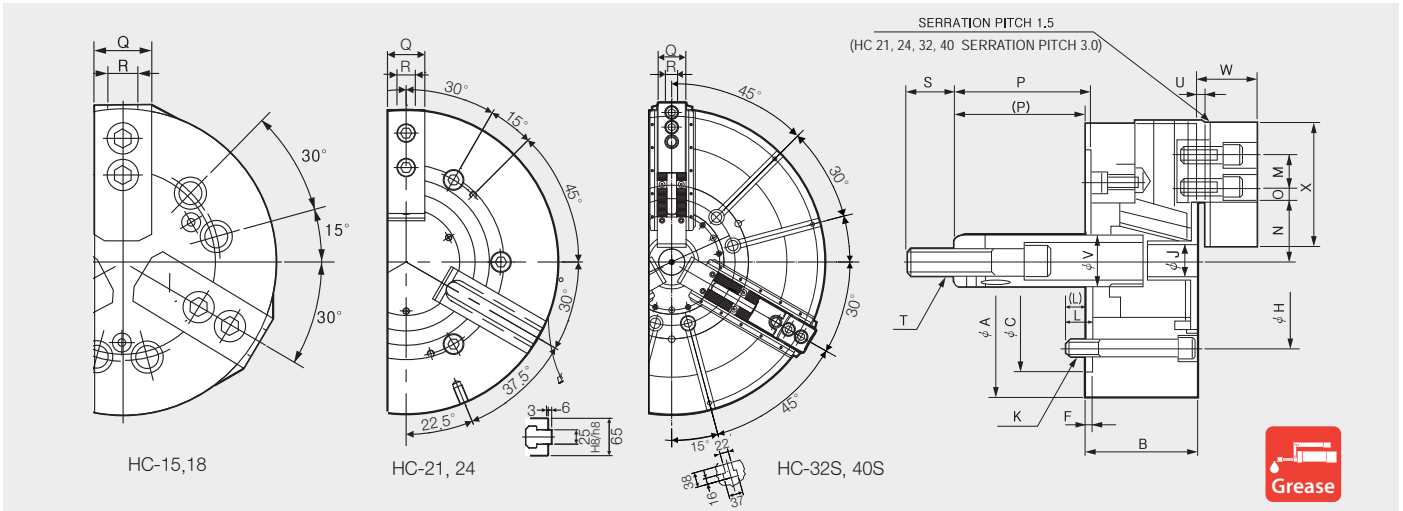
※ Specifications are subject to change without notice.

※ Samchully Machinery Co., Ltd. is no longer an OEM manufacturer for Kitagawa® Iron Works Co., Ltd.



- Standard 3-jaw wedge-style closed-center power chuck

### HYDRAULIC CHUCK



It is recommended to grease chucks at least twice a day in order to maximize longevity.

#### Dimensions

	ΦA	B	ΦC(H6)	F	ΦH	J	K	L	M	Nmax.	Nmin.	Omax.	Omin.	Pmax.	Pmin.	Q	R	S	T	U	ΦV	W	X
HC-15	381	114	300	6	235	27	6-M20X150	65	43	77.5	69.5	48.75	23.25	104	69	62	25.5	55	M30x3.5	2	60	61	135
HC-18	450	114	300	6	235	27	6-M20X115	30	43	108	100	48.75	23.25	92	57	62	25.5	55	M30x3.5	2	60	61	135
HC-21	530	125	380	6	330.2	27	6-M22X120	31	60	86	78	93.5	27.5	97	62	65	25	55	M30x3.5	3	60	70	180
HC-24	610	125	380	6	330.2	27	6-M22X120	31	60	125	117	93.5	27.5	97	62	65	25	55	M30x3.5	3	60	71	180
HC-32S	800	150	380	6	330.2	65	6-M24X120	39	76.2	117.3	102.3	234.1	36	38	0	75	12.7	70	M30x3.5	8	70	81	165
HC-40S	1000	180	520	8	463.6	50	6-M24X120	32	76.2	212.8	187.8	169.8	17.4	30	-27	110	30	65	M36x4.0	-4	70	106	270

#### Specifications

Type	Jaw Stroke	Plunger	Grip Dia. [mm]	Max. Permissible	Max. Static	Max. R.P.M.	Weight	GD <sup>2</sup>	Max. Hydraulic	Operating Cylinder		Operating	KITAGAWA <sup>®</sup>	
	Dia.	Stroke								Pressure	[Hydraulic]			[Pneumatic]
	[mm]	[mm]	Max.	Min.	[kN(kgf)]	[kN(kgf)]	[min-1(r.p.m.)]	[kgf]	[N·m <sup>2</sup> (kgf·m <sup>2</sup> )]	[Mpa(kgf/cm <sup>2</sup> )]				
HC-15	16	35	381	71	82(8362)	249(25391)	3040	96	70.61(7.2)	3.2(32.6)	Y-2035R(RE)	-	HB15N1	N-15
HC-18	16	35	450	133	82(8362)	249(25391)	2710	124	92.2(9.4)	3.2(32.6)	Y-2035R(RE)	-	HB15N1	N-18
HC-21	16	35	530	62	82(8362)	273(27838)	1940	180	188.3(19.2)	3.2(32.6)	Y-2035R(RE)	-	HB18B2	N-21
HC-24	16	35	610	152	82(8362)	273(27838)	1760	223	271.6(27.7)	3.2(32.6)	Y-2035R(RE)	-	HB18B2	N-24
HC-32S	30	38	800	200	120(12236)	215(21805)	800	350	609.1(61)	3.99(40.8)	Y-2050R(RE)	-	HB32SB2	-
HC-40S	30	23	1000	330	180(18256)	320(32454)	630	600	1721.8(145.6)	3.99(40.8)	Y-2560RE	-	HB40SB2	-

※ Maximum turning speed is based upon actual measurement.

※ Specifications are subject to change without notice.

※ Samcully Machinery Co., Ltd. is no longer an OEM manufacturer for Kitagawa<sup>®</sup> Iron Works Co., Ltd.

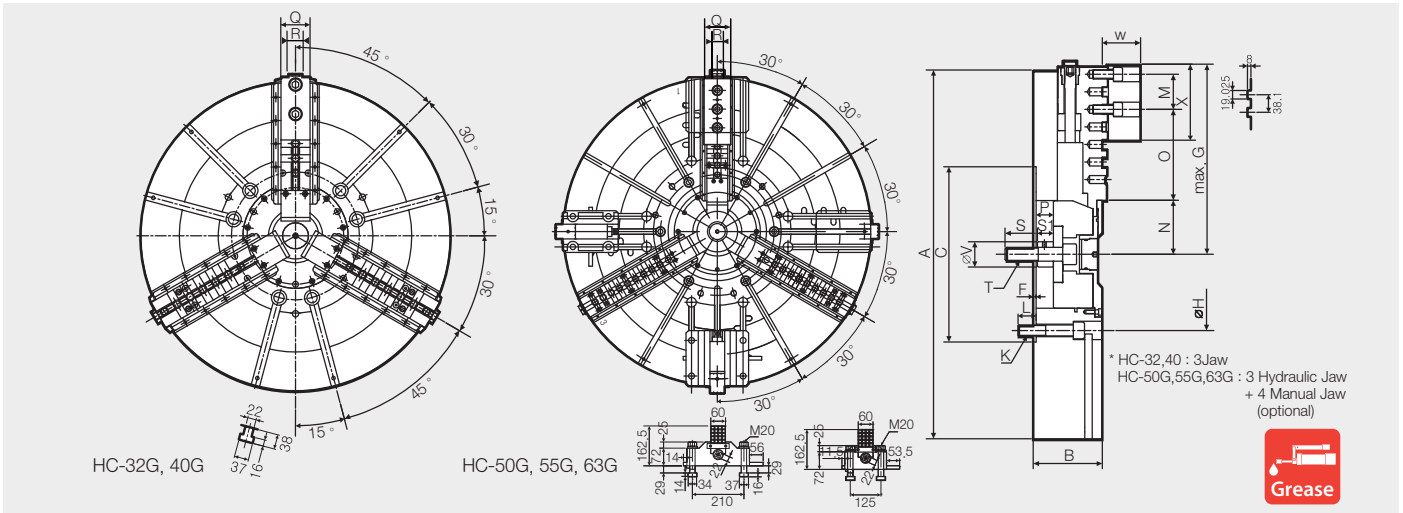
# HC (groove type)

## 3-Jaw Hydraulic / 4-Jaw Independent Chuck (800mm -1600mm)



- 3-Jaw hydraulic chuck (HC-32G,HC-40G)
- 4-jaw independent closed-center power chuck (HC-50G,HC-55G,HC-63G)

### HYDRAULIC / INDEPENDENT CHUCK



It is recommended to grease chucks at least twice a day in order to maximize longevity.

#### Dimensions

	ΦA	B	ΦC(H6)	F	G	ΦH	K	L	M	Nmax.	Nmin.	Omax.	Omin.	Pmax.	Pmin.	Q	S	S1	T	ΦV	W	X	a1	a2	a3	a4
HC-32G	800	150	380	6	442.5	330.2	M24X120L	39	76.2	117.6	102.7	196.9	44.5	38	0	75	70	35	M30x3.5	55	83	165	12.7	8	3	75
HC-40G	1000	182	520	8	509.6	463.6	M24X140L	32	76.2	217.3	194.3	91.1	14.9	60	3	110	65	35	M36x4.0	70	106	270	30	-4	4	85
HC-50G	1250	180	520	8	623.9	463.6	M24X140L	32	76.2	217.3	194.3	205.4	14.9	60	3	110	65	35	M36x4.0	70	106	270	30	-4	4	85
HC-55G	1400	220	720	8	710.6	647.6	M24X160L	36	76.2	250	226	250.4	30.8	82	22	110	65	35	M36x4.0	70	104	270	30	-6	4	110
HC-63G	1600	220	720	8	786.8	647.6	M24X160L	36	76.2	250	226	335.6	30.8	13	22	110	65	35	M36x4.0	70	104	270	30	-6	4	110

※HC-32, HC-40 19,025mm key Groove type.

#### Specifications

Type	Jaw Stroke Dia.	Manual Setting	Plunger Stroke	Grip Dia.		Max. Permissible Input Force		Max. Static Gripping Force		Max. R.P.M.	Weight	GD <sup>2</sup>	Operating Cylinder	Max. Hydraulic Pressure	Operating Hard Jaw
	[mm]	(Radial)	[mm]	Max.	Min.	[kN (kgf)]	[kN (kgf)]	[min <sup>-1</sup> ]	[kgf]	[N·m <sup>2</sup> (kg·m <sup>2</sup> )]	[MPa (kgf/cm <sup>2</sup> )]				
HC-32G	30	30	38 min-1	800	200	120 (12170)	215 (21805)	800	350	601.9 (61)	Y-2050RE	3.99(40.8)	HB32GB		
HC-40G	46	30	57	1000	330	180 (18256)	320 (32454)	630	600	1721.8 (174.5)	Y-2560RE	3.99(40.8)	HB40GB		
HC-50G	46	30	57	1250	330	180 (18256)	320 (32454)	500	800	2169 (220)	Y-2560RE	3.99(40.8)	HB40GB		
HC-55G	48	40	60	1400	460	200 (20394)	360 (36710)	450	1350	2760 (280)	Y-2560RE	4.5(46)	HB40GB		
HC-63G	48	40	60	1600	460	200 (20394)	360 (36710)	400	1850	4930 (500)	Y-2560RE	4.5(46)	HB40GB		

※ Maximum turning speed is based upon actual measurement.  
 ※ Specifications are subject to change without notice.