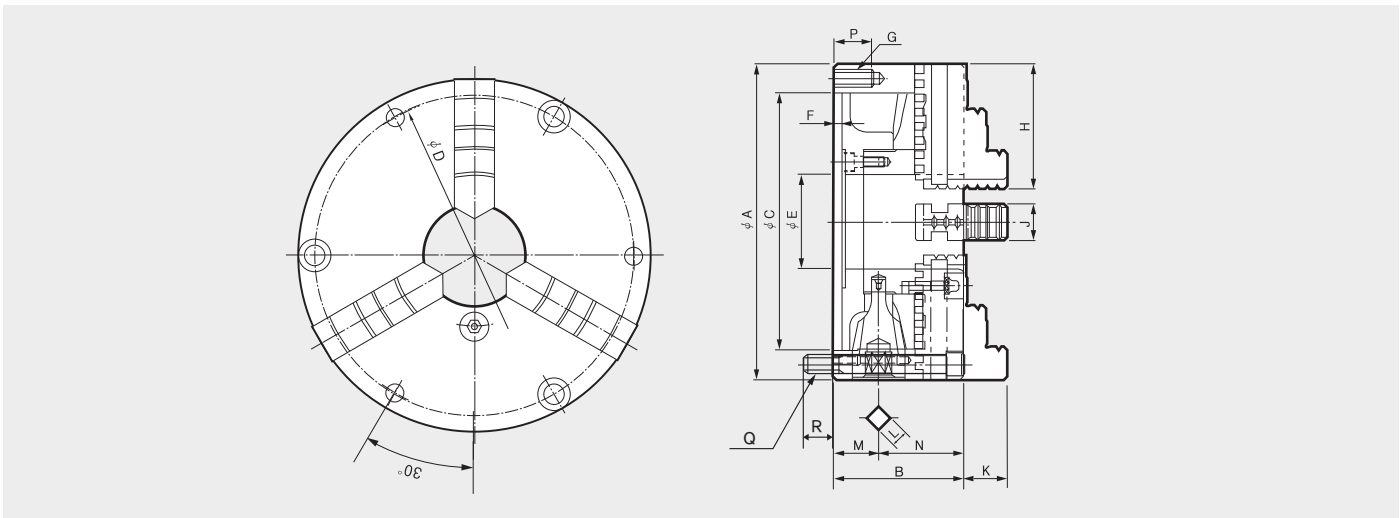




### SCROLL CHUCK



#### Dimensions

	φA	B	φC(H6)	φD	φE	F	G	H	J	K	L	M	N	P	Q	R
FSC-130(5")	130	60	100	115	34	4.5	3-M8	50	16	19.6	8	22.5	37	16	3-M8x65	14
FSC-165(6")	167	65	130	147	45	5	3-M10	65	19	25.07	10	24	41	20	3-M10x70	16
FSC-190(7")	192	75	155	172	57	5	3-M10	75	22	30.06	11	27.5	47.5	20	3-M10x85	17
FSC-230(9")	232	84	190	210	75	6	3-M12	87	24	35.04	12	29.5	54.5	25	3-M12x95	24
FSC-273(10")	273	86	230	250	89	6	3-M12	98	28	40.02	12	31.5	54.5	25	3-M12x95	20
FSC-310(12")	310	96	260	285	100	7	3-M12	110	30	45.08	14	31.5	64.5	25	3-M12x110	27

#### Specifications

Type	Max. Static Gripping Force		Clamping Range		Handle Torque	Max. r.p.m.	Weight	GD <sup>2</sup>
	[kN(kgf)]		External [φmm]	Internal [φmm]	[N·m(kgf·m)]	[min <sup>-1</sup> ]	[kgf]	[N·m <sup>2</sup> (kgf·m <sup>2</sup> )]
FSC-130(5")	15(1530)		3-110	3-100	63.7(6.5)	2500	4.4	0.35(0.036)
FSC-165(6")	31(3161)		3-160	48-150	88.3(9.0)	4000	11.4	1.18(0.12)
FSC-190(7")	31(3161)		4-180	56-170	107.9(11.0)	3500	12	2.35(0.24)
FSC-230(9")	37(3773)		5-220	62-210	147(15.0)	2900	21.2	6.27(0.64)
FSC-273(10")	46(4691)		5-260	70-250	176.5(18.0)	2500	28	9.90(1.01)
FSC-310(12")	55(5608)		10-300	86-290	206(21.0)	2200	41	23.0(2.35)

※ Specifications are subject to change without notice.