

YH-RE

Ultra-Compact Closed-Center Hydraulic Cylinder with Proximity Bracket

초박형 중실 유압실린더(근접S/W부착형)



제품 특징

초박형 중실 유압 회전실린더

주요 기술

Lock Valve, Relief Valve 내장으로 과압방지, 실린더 손상 예방
정전이나 압력의 급강하시 추력 유지

Application / Customer's Benefit

Ultra-Compact Closed-Center Hydraulic Cylinder with Proximity Bracket

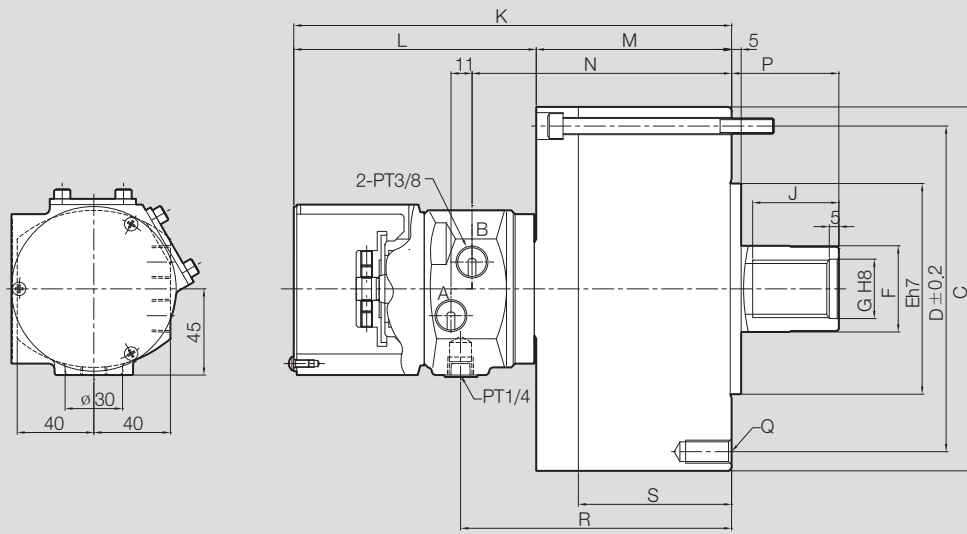
Technical features

Built-in lock and relief valves prevent damage caused by excessive pressure, and ensures safety during blackouts or loss of power by maintaining pull force

제품 사양 / SPECIFICATIONS

		YH-10120RE	YH-10125RE	YH-12125RE	YH-12140RE	YH-15130RE	YH-15150RE	YH-20135RE	YH-20150RE	YH-25160RE
피스톤 스트로크 [mm]	Piston Stroke	20	25	25	40	30	50	35	50	60
피스톤 표면적 압축 Push [cm ²]	Piston Surface Area	78	78	114	114	168	168	305	305	515
피스톤 표면적 인축 Pull [cm ²]		73	73	106	106	154	154	283	283	482
피스톤 추력 압축 Push [kN(kgf)]	Piston Force	29(2960)	29(2960)	42(4326)	42(4326)	63(6375)	63(6375)	114(11573)	114(11573)	193(19541)
피스톤 추력 인축 Pull [kN(kgf)]		27(2770)	27(2770)	39(4022)	39(4022)	57(5843)	57(5843)	105(10738)	105(10738)	180(18289)
최대사용유압력 [MPa(kgf/cm ²)]	Max. Operating Pressure	40(40.8)	40(40.8)	40(40.8)	40(40.8)	40(40.8)	40(40.8)	40(40.8)	40(40.8)	40(40.8)
허용최고회전속도 [min ⁻¹]	Max. r.p.m.	6000	6000	6000	6000	5500	5500	5500	5500	2000
관성모멘트 [N · m ² (kg · m ²)]	Moment of inertia	0.49(0.05)	0.49(0.05)	0.88(0.09)	0.88(0.09)	1.86(0.19)	1.96(0.2)	3.82(0.39)	4.12(0.42)	9(0.92)
무게 [kg]	Weight	7.6	7.7	10.5	11	14	14.5	22.5	23.5	88
총 leak 량 [ℓ /min]	Total leakage	0.8	0.8	0.8	0.8	0.8	0.8	0.8	0.8	0.8
호환모델	KITAGAWA® Model	-	-	-	-	-	-	-	-	-

※ 허용최고 회전속도는 실측치에 준함. ※ Maximum turning speed is based upon actual measurement.
 ※ 치수 및 사양은 예고없이 변경될 수 있음. ※ Specifications are subject to change without notice.



제품 치수 / DIMENSIONS

	YH-10120RE	YH-10125RE	YH-12125RE	YH-12140RE	YH-15130RE	YH-15150RE	YH-20135RE	YH-20150RE	YH-25160RE
ΦC	135	135	160	160	190	190	245	245	305
ΦD	118	118	142	142	170	170	222	222	275
ΦE	80	80	110	110	110	110	120	120	160
ΦF	30	30	35	35	45	45	55	55	65
ΦG	21	21	25	25	31	31	37	37	44
J	35	35	44	44	45	55	60	60	65
K	209.6	214.6	220.6	267.1	228.6	280.1	240.6	280.1	310
L	126.6	126.6	126.6	156.6	126.6	158.1	133.6	158.1	136
M	83	88	94	109	102	122	107	122	142.5
N	116.5	121.5	127.5	142.5	135.5	155.5	140.5	155.5	176
P max.	45	45	51	65	56	80	69	80	85
P min.	25	20	26	25	26	30	34	30	25
Q	6-M10x20	6-M10x20	12-M12x24	12-M12x24	12-M12x24	12-M12x24	12-M16x30	12-M16x30	12-M20x35
R	122.5	127.5	133.5	148.5	141.5	161.5	146.5	161.5	182
S	67	72	72	87	80	100	85	100	120.5