

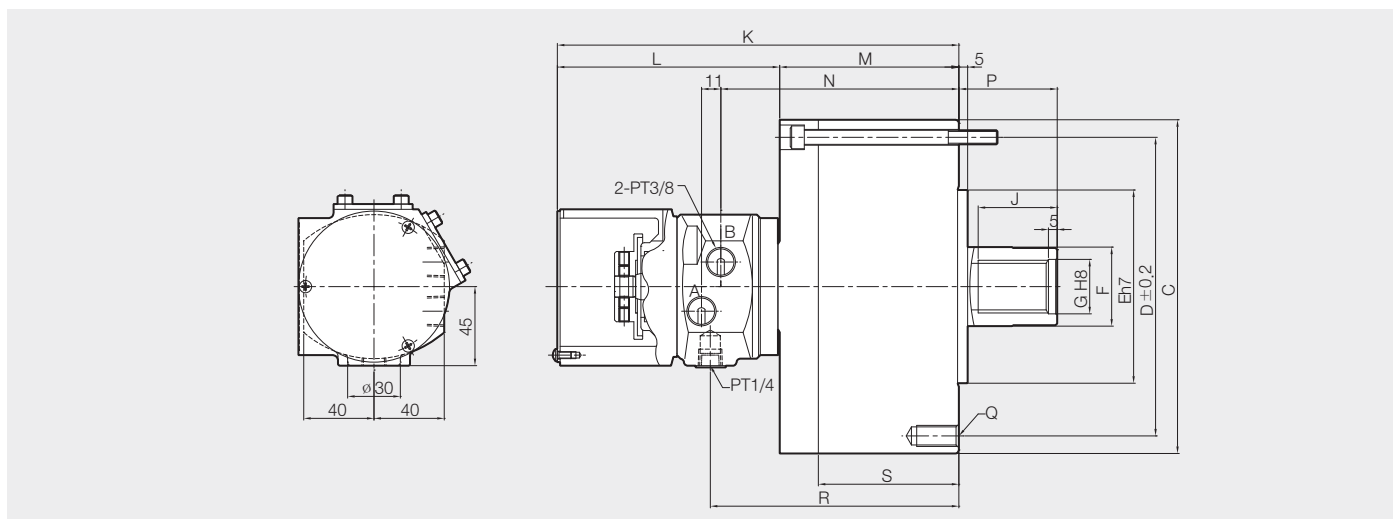
YH-RE

Ultra-Compact Closed-Center Hydraulic Cylinder with Proximity Bracket



- Closed-center hydraulic cylinder with built in lock and relief valves
- High space efficiency by compact design and and proximity bracket

HYDRAULIC CYLINDER



Dimensions

	ΦC	ΦD	ΦE	ΦF	ΦG	J	K	L	M	N	Pmax.	Pmin.	Q	R	S
YH-10120RE	135	118	80	30	21	35	209.6	126.6	83	116.5	45	25	6-M10x20	122.5	67
YH-10125RE	135	118	80	30	21	35	214.6	126.6	88	121.5	45	20	6-M10x20	127.5	72
YH-12125RE	160	142	110	35	25	44	220.6	126.6	94	127.5	51	26	12-M12x24	133.5	72
YH-12140RE	160	142	110	35	25	44	267.1	156.6	109	142.5	65	25	12-M12x24	148.5	87
YH-15130RE	190	170	110	45	31	45	228.6	126.6	102	135.5	56	26	12-M12x24	141.5	80
YH-15150RE	190	170	110	45	31	55	280.1	158.1	122	155.5	80	30	12-M12x24	161.5	100
YH-20135RE	245	222	120	55	37	60	240.6	133.6	107	140.5	69	34	12-M16x30	146.5	85
YH-20150RE	245	222	120	55	37	60	280.1	158.1	122	155.5	80	30	12-M16x30	161.5	100
YH-25160RE	305	275	160	65	44	65	310	136	142.5	176	85	25	12-M20x35	182	120.5

Specifications

Type	Piston Stroke [mm]	Piston Surface Area		Piston Force		Max. Operating Pressure [MPa(kgf/cm ²)]	Max. r.p.m [min ⁻¹]	GD ² [N·m ² (kgf·m ²)]	Weight [kgf]	Total leakage [l/min]	KITAGAWA® Model
		Push [cm ²]	Pull [cm ²]	Push [kN(kgf)]	Pull [kN(kgf)]						
YH-10120RE	20	78	73	29(2960)	27(2770)	40(40.8)	6000	0.49(0.05)	7.6	0.8	
YH-10125RE	25	78	73	29(2960)	27(2770)	40(40.8)	6000	0.49(0.05)	7.7	0.8	
YH-12125RE	25	114	106	42(4326)	39(4022)	40(40.8)	6000	0.88(0.09)	10.5	0.8	
YH-12140RE	40	114	106	42(4326)	39(4022)	40(40.8)	6000	0.88(0.09)	11	0.8	
YH-15130RE	30	168	154	63(6375)	57(5843)	40(40.8)	5500	1.86(0.19)	14	0.8	
YH-15150RE	50	168	154	63(6375)	57(5843)	40(40.8)	5500	1.96(0.2)	14.5	0.8	
YH-20135RE	35	305	283	114(11573)	105(10738)	40(40.8)	5500	3.82(0.39)	22.5	0.8	
YH-20150RE	50	305	283	114(11573)	105(10738)	40(40.8)	5500	4.12(0.42)	23.5	0.8	
YH-25160RE	60	515	482	193(19541)	180(18289)	40(40.8)	2000	9(0.92)	88	0.8	