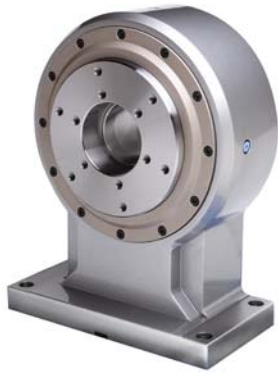


20,25,32SP-H

Tail Spindle (Hydraulic Clamp Type)

테일 스피들 (유압 클램프 타입)



제품 특징

공작물 & 지그를 장착하여 무게를 지탱하며 회전, Hydraulic Clamp 방식

Application / Customer's Benefit

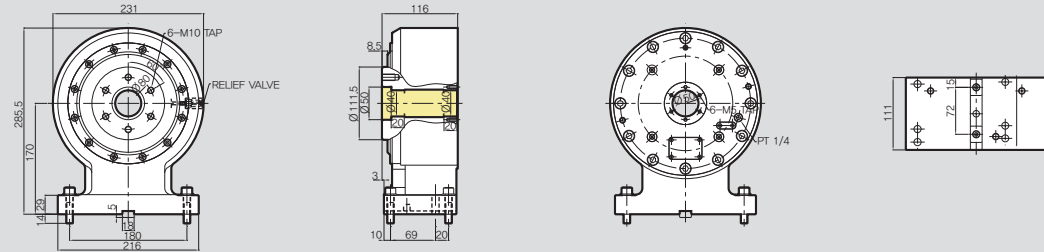
Rotation of Work & Jig with Weight Support, Hydraulic Clamp type

Model No.

17 SP-H

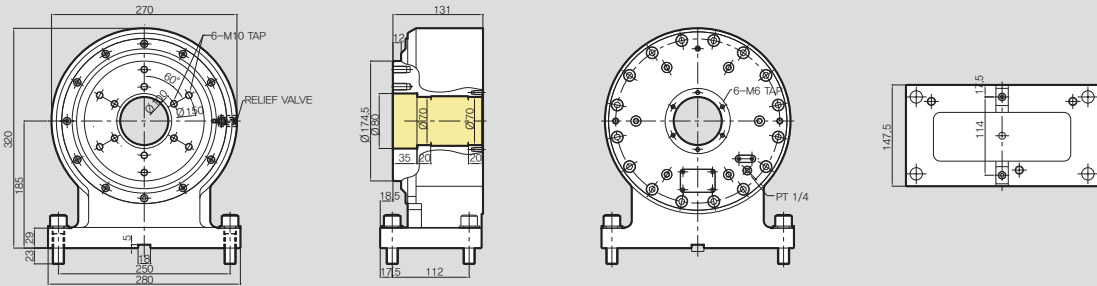


20SP-H



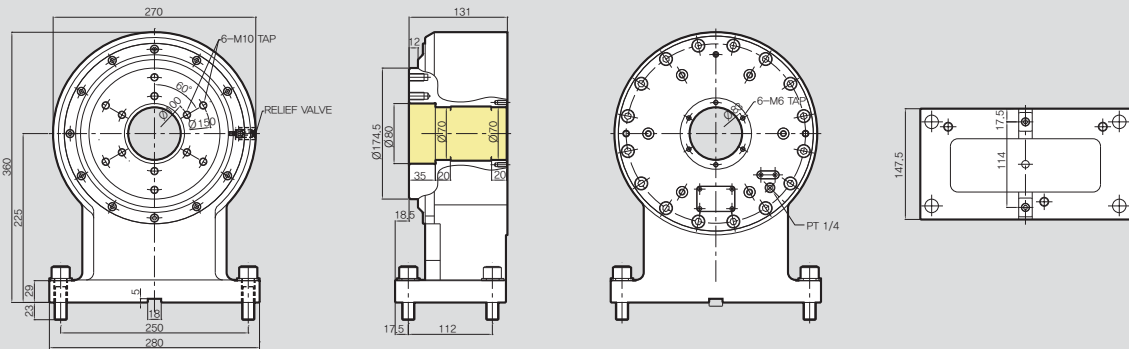
Net Weight(kg) : 35

25SP-H



Net Weight(kg) : 62

32SP-H



Net Weight(kg) : 66