

# COLH SERIES



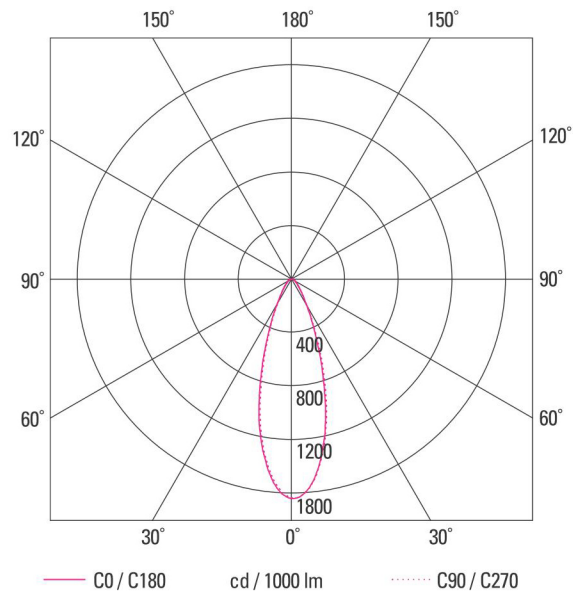
**Application sectors**

- Oil refineries
- Chemical and petrochemical plants
- Onshore plants
- Offshore plants
- Low temperatures
- Fuel depots
- Fuel tanker loading/unloading areas

## Technical Data

구분	SEBP-COLH-60	SEBP-COLH-80	SEBP-COLH-100	SEBP-COLH-120	SEBP-COLH-150	
전기사양	소비전력 (W)	60W	80W	100W	120W	150W
	정격전압 (V)	220V	220V	220V	220V	220V
	역율 (%)	95이상	95이상	95이상	95이상	95이상
	전원효율 (%)	85이상	85이상	85이상	85이상	85이상
광사양	전광속 (lm)	5,700	7,600	9,500	11,400	14,250
	연색성 (CRI)	75이상				
	광효율 (lm/W)	95이상				
	색온도 (K)	2700K~6800K				
수명 (시간)	30,000이상					
사용주위온도(°C)	-20°C ~ +40°C					
용량 · 등급	Ex nA II T6 IP65 / Ex tD A21 IP65 T85°C					

## Photometric Data



## Description

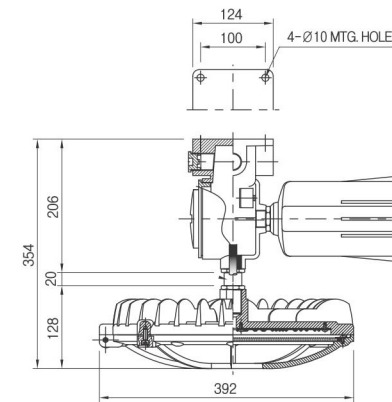
- Body : Die-casting aluminium
- Cover : Die-casting aluminium
- Smps Box : Die-casting aluminium
- Glass : Tempered glass
- Mounting Box : Die-casting aluminium
- Gasket : Silicone gasket
- Bolts and screws : Stainless steel
- Coating : Epoxy coating
- Entries : PF3/4" threads

## Compliance

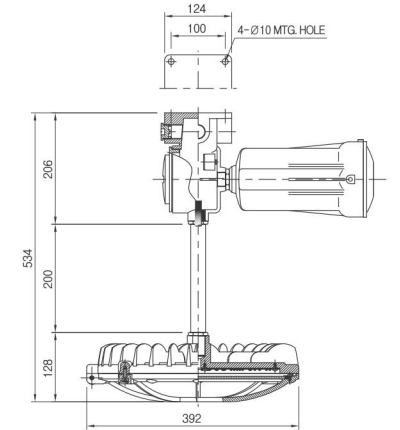
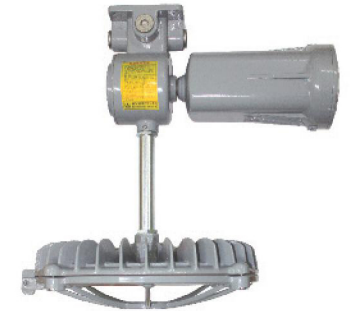
Notification of Ministry of Labor No.2013-54

## I Dimension I

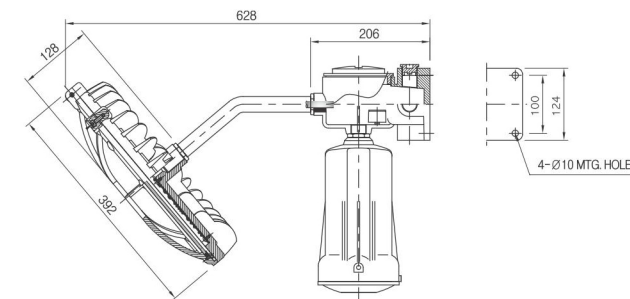
### Ceiling Type



### Pendant Type



### 40° Bracket Type



### 90° Bracket Type

