

CELE-M-AC SERIES



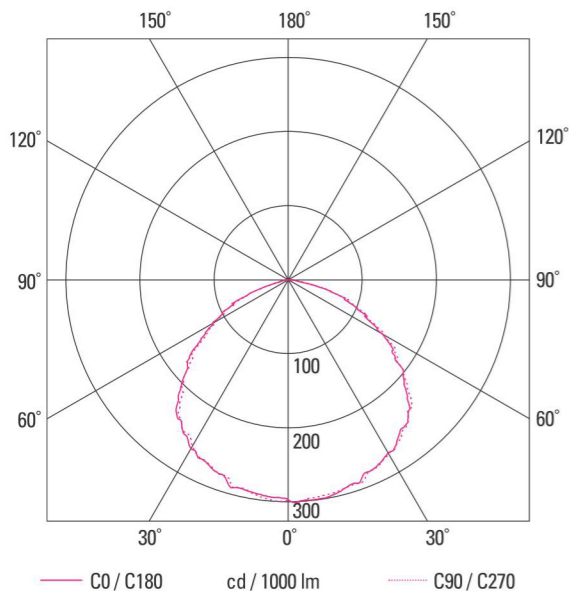
Application sectors



Technical Data

| 구분 | | SEBP-CELE-M-AC-110 | SEBP-CELE-M-AC-132 | SEBP-CELE-M-AC-154 | SEBP-CELE-M-AC-176 | SEBP-CELE-M-AC-200 |
|------------|------------|---|--------------------|--------------------|--------------------|--------------------|
| 전기사양 | 소비전력 (W) | 110W | 132W | 154W | 176W | 200W |
| | 정격전압 (V) | 220V | 220V | 220V | 220V | 220V |
| | 역율 (%) | 95이상 | 95이상 | 95이상 | 95이상 | 95이상 |
| | 전원효율 (%) | 85이상 | 85이상 | 85이상 | 85이상 | 85이상 |
| 광사양 | 전광속 (lm) | 7,700 | 9,240 | 10,780 | 12,320 | 14,000 |
| | 연색성 (CRI) | 75이상 | | | | |
| | 광효율 (lm/W) | 70이상 | | | | |
| 색온도 (K) | | 2700K~6800K | | | | |
| 수명 (시간) | | 30,000이상 | | | | |
| 사용주위온도(°C) | | -20°C ~ +40°C | | | | |
| 용량 · 등급 | | Ex d IIC T6 IP66 / Ex tD A21 IP66 T85°C | | | | |

Photometric Data



Description

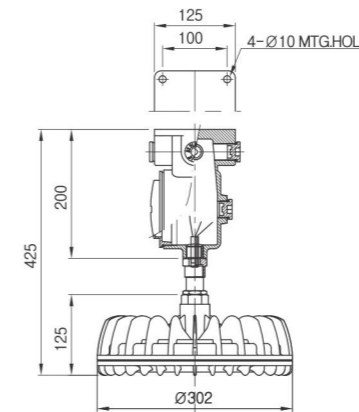
- Body : Die-casting aluminium
- Smpls Box : Die-casting aluminium
- Globe : Tempered glass
- Guard : Stainless steel (Optional)
- Mounting Box : Die-casting aluminium
- Gasket : Silicone gasket
- Bolts and screws : Stainless steel
- Coating : Epoxy coating
- Entries : PF3/4" threads

Compliance

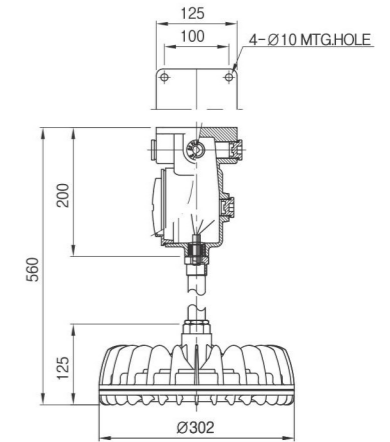
Notification of Ministry of Labor No.2013-54

Dimension I

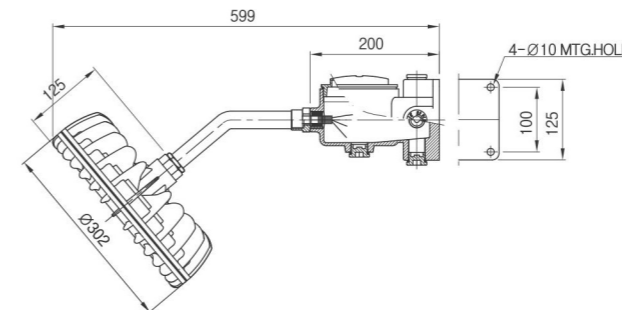
Ceiling Type



Pendant Type



40° Bracket Type



90° Bracket Type

