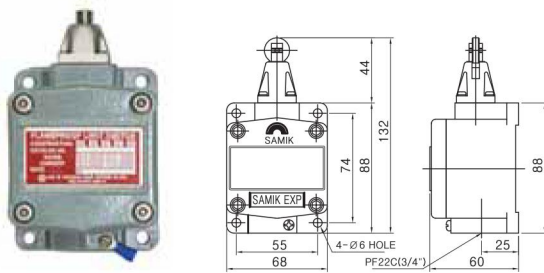


Limit Switch

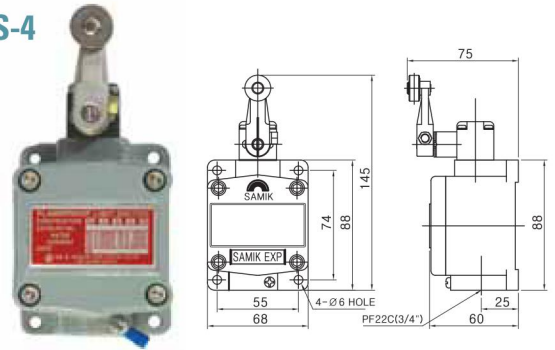
SILS SERIES

Type of Explosion-Proof
 Flameproof (Ex d IIC T6 IP65)
 Dust ignition proof (Ex tD A21 T85°C IP65)

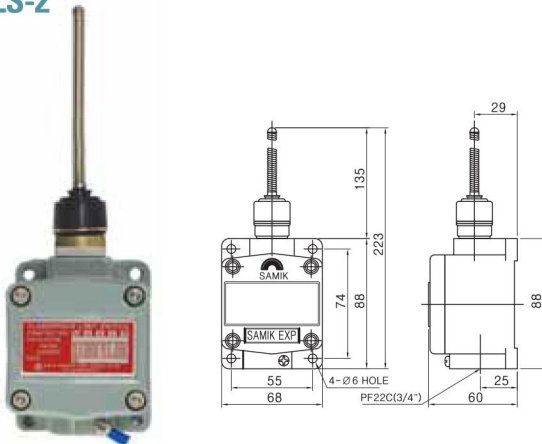
SILS-1



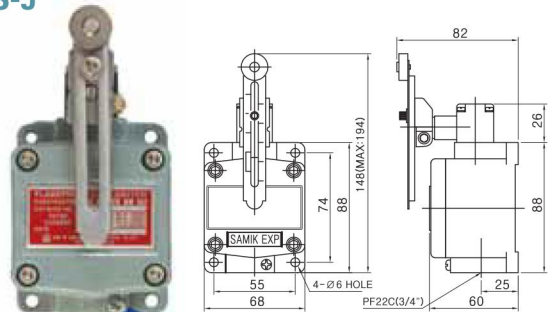
SILS-4



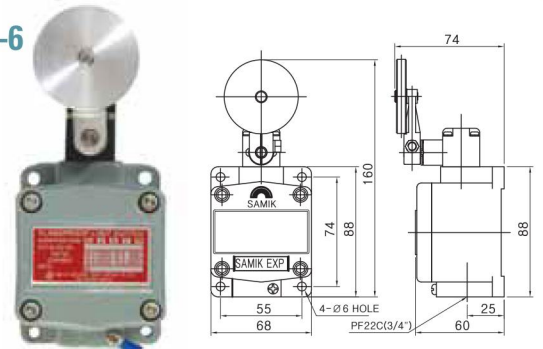
SILS-2



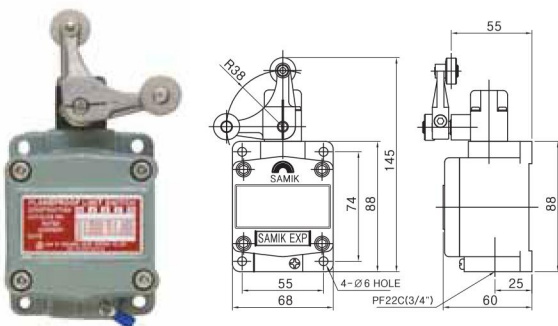
SILS-5



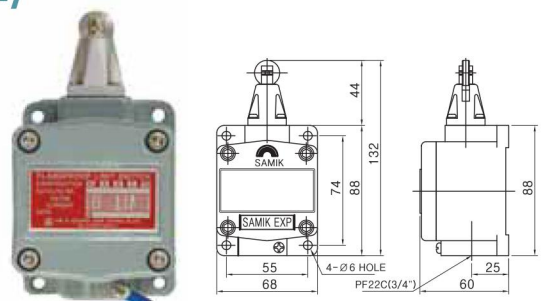
SILS-6



SILS-3



SILS-7



Application

- Hazardous locations due to the presence of flammable gases or vapor, combustible dusts or easily ignitable fiber or flyings
- Various use in machine tools, automatic control parts etc.

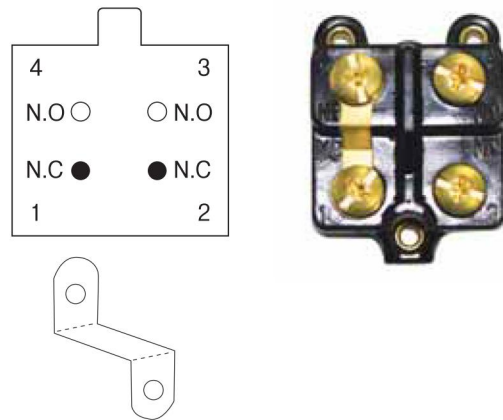
Stand Material

- **Body** : Die casting aluminium alloy
- **Cover** : Die casting aluminium alloy
- **Actuator roller** : Stainless steel
- **Actuator Lever** : Die casting aluminium alloy
- **Built-in switch body** : Thermosetting phenol resin
- **Therminal** : Brass
- **Contact** : Silver-cadmium oxide alloy

Feature

- The limit switch with the built-in 2 circuit double switch in diecasting case.
- Solidly designed with high mechanical strength, heat resistance, oil resistance, oil resistance, vibration-resistance and water-resistance.

Contact Form Diagram



Technical Data

Catalog No.	Classified Type	Max. lever operating angle
SILS-1	Roller lever Ttype	left/right 90°
SILS-2	Both lever suspending Ttype	left/right 90°
SILS-3	Roller adjusting lever Type	left/right 90°
SILS-4	Push plunger Type	top, bottom
SILS-5	Roller plunger Type	top, bottom
SILS-6	Coil spring Type	non-directional
SILS-7	Large roller lever Type	left/right 90°

Operating Characteristic Diagram

