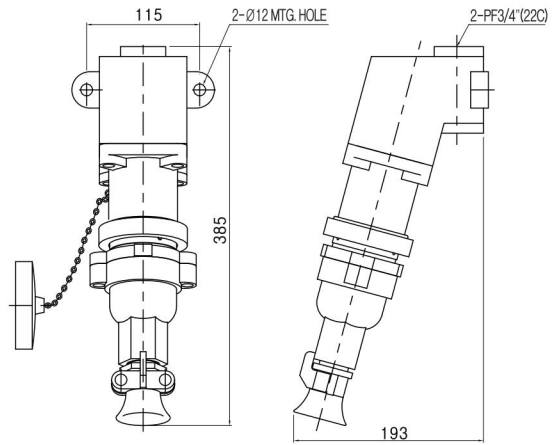


Plug & Receptacle

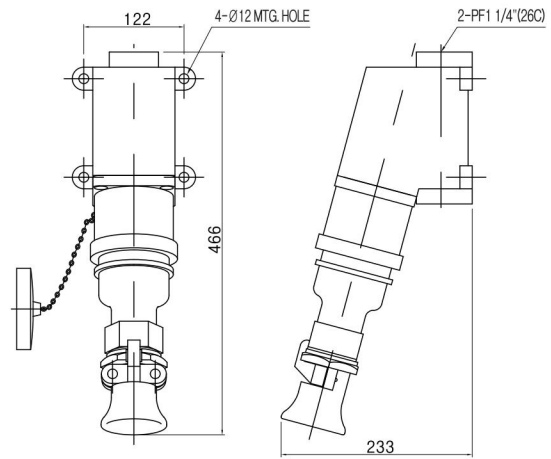
WPR SERIES

Heavy Duty & Weatherproof Type

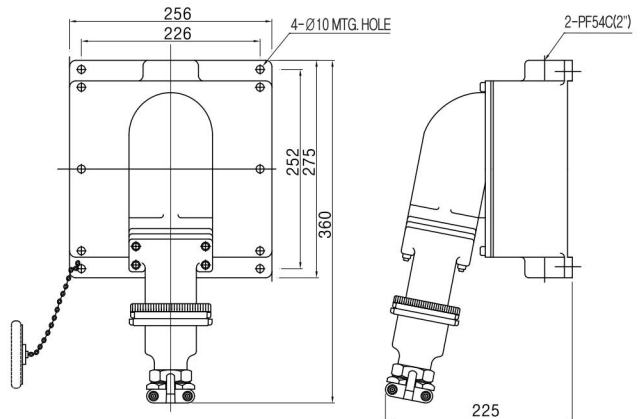
WPR-30



WPR-75



WPR-100





Standard Materials

- **Body** : Cast aluminium alloy
- **Cover** : Cast aluminium alloy
- **Terminal Box** : Cast aluminium alloy
- **Plug casing** : Die casting aluminium alloy



Standard Finish

- MUNSELL No. 7.5BG 6/1.5
- If you want another color, contact us please.

Technical Data

Catalog No.	WPR-30	WPR-75	WPR-100
Rated Voltage (V)	460	460	460
Rated Ampere (A)	60	75	100
Weight (kg)	3.4	4.3	4.5