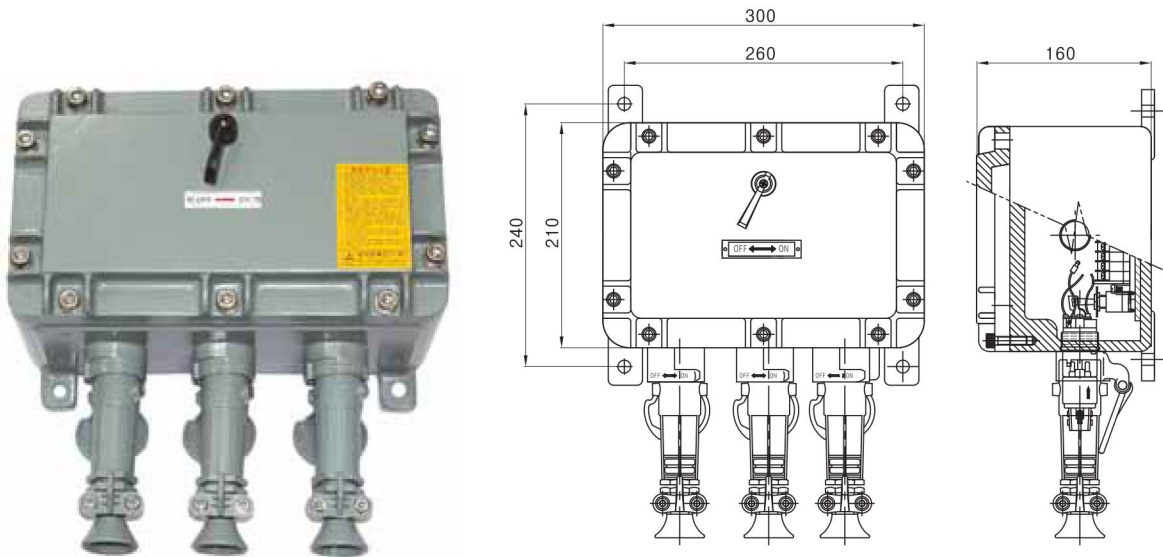


Plug & Receptacle

CBPR-3 SERIES

Type of Explosion-Proof
Flameproof (Ex d IIB+H2 T6)



Standard Materials

- **Body** : Cast aluminium alloy
- **Cover** : Cast aluminium alloy
- **Handle** : Die Cast aluminium alloy
- **Plug casing** : Die Cast aluminium alloy



Compliance & Certification

- IEC 60079-0,1
- Notification of Ministry of Labor No.2010-36
- Certified by KOSHA
(Korea Occupational Safety & Health Agency)



Standard Finish

- MUNSELL No. 7.5BG 6/1.5
- If you want another color, contact us please.

Technical Data

Catalog No.	CBPR-3
Rated Voltage (V)	250
Rated Ampere (A)	30
Weight (kg)	11.2