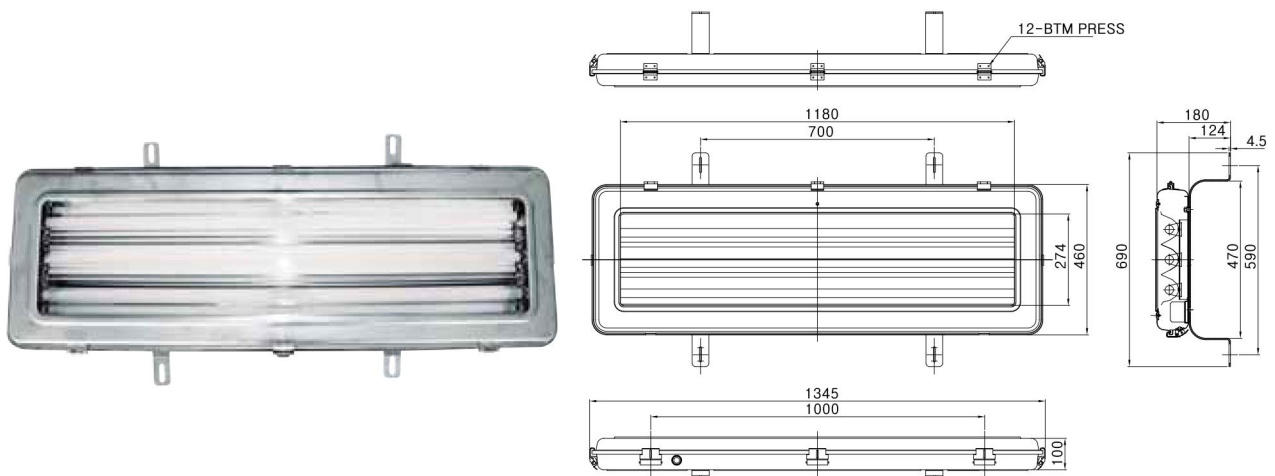


Stainless Steel Tunnel Fluorescent Lights

STFL SERIES



Technical Data

Catalog No.	Watt	Lamp
SEBP-STFL	Max.32WX3	FL32W

Application

- For tunnels and underpasses

Features

- Door assembly hinged and latched for no-tool installation and removal.
- Tempered glass lens.
- Luminaire normally shipped with hinges and latches.
- Formed aluminum hammered reflector optimizes beam efficiency and control.
- Protection grade: IP66

Standard Materials

- Body : Stainless.
- Cover : Stainless.
- Bracket : Steel.
- Socket : Porcelain with Mogul Socket E39
- Reflector : Aluminium (EMBO)
- Latch : Stainless.
- Glass : Heat Resistant Hard Glass

Standard Finish

- Natural.
- If you want another color, contact us please.