

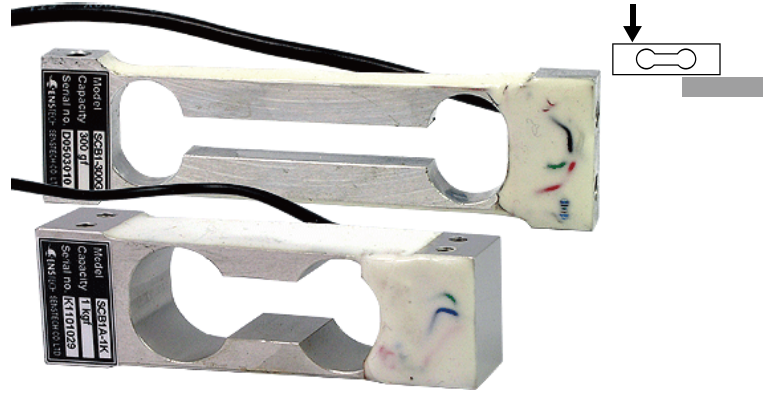
BENDING BEAM LOAD CELLS

MODEL

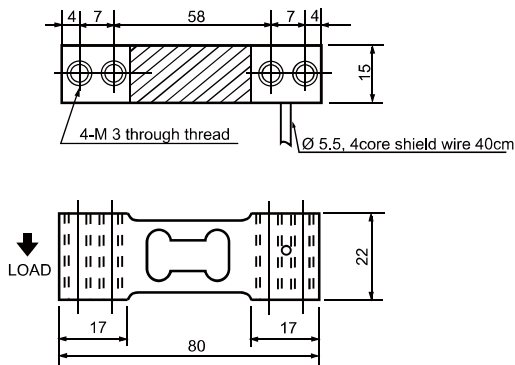
SCB1/SCB1A

Feature

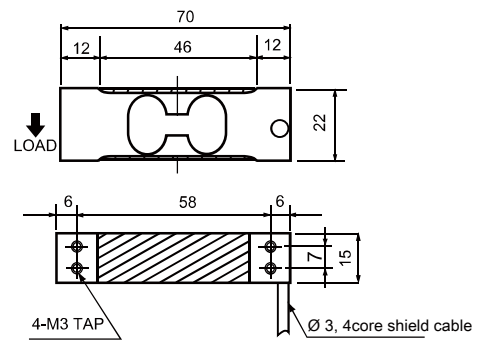
고강도 알루미늄 소재로서 산업용 및 상업용 전자저울에 사용.
 가격이 저렴하고 고정밀도 (1/5000),
 싱글 포인트 로드셀.
 경량으로 사용이 편리하고 용량이 다양하며
 무게 측정용으로 적합합니다.
 Protection Class IP65



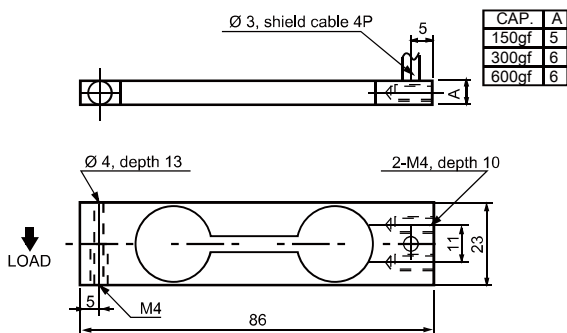
SCB1 1 ~ 3kgf (unit:mm)



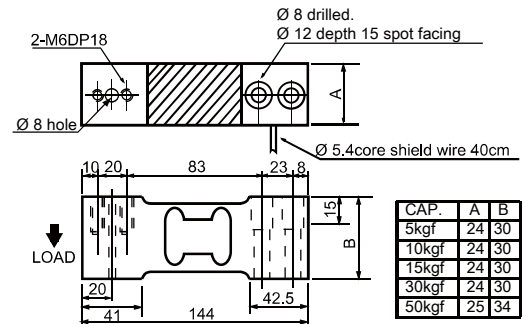
SCB1A 1, 2, 3kgf (unit:mm)



SCB1 150,300,600gf (unit:mm)



SCB1 5 ~ 50kgf (unit:mm)



Specification

Specification	Accuracy		
Rated capacity (R.C)	150, 300, 600gf	1, 2, 3Kgf	5, 10, 15, 30, 50Kgf
Rated output (R.O)	1.2mV/V ± 1%	1mV/V ± 1%	1.5mV/V ± 1%
Nonlinearity	0.02% R.O.	0.02% R.O.	0.02% R.O.
Hysteresis	0.02% R.O.	0.02% R.O.	0.02% R.O.
Repeatability	0.02% R.O.	0.02% R.O.	0.02% R.O.
Creep	0.03% R.O./20min	0.03% R.O./20min	0.02% R.O./20min
Zero balance	± 5% R.O	± 5% R.O	± 5% R.O
Terminal resistance input	420 ± 30Ω	420 ± 30Ω	420 ± 30Ω
Terminal resistance output	350 ± 2Ω	350 ± 2Ω	350 ± 2Ω
Insulation resistance	2000MΩ	2000MΩ	2000MΩ
Temperature range, compensated	0 ~ 40℃	-10 ~ 50℃	-10 ~ 50℃
Temperature range, safe	-10 ~ 50℃	-10 ~ 50℃	-10 ~ 50℃
Temperature effect, on zero balance	0.03% R.O./10℃	0.03% R.O./10℃	0.03% R.O./10℃
Temperature effect, on rated output	0.02% LOAD/10℃	0.02% LOAD/10℃	0.02% LOAD/10℃
Excitation recommended	10V DC	10V DC	10V DC
Safe overload	150% R.C	150% R.C	50% R.C.
Cable length	Ø 3, core shield cable, 40cm	Ø 3, core shield cable, 40cm	Ø 3, core shield cable, 40cm
Allowable maximum Platform size	Φ 80	200 X 200mm	300 X 300mm
Weight	200g	300g	400g
Wiring Information	EXC + : RED, EXC- : White, SIG+ : Black, SIG- : Green		