

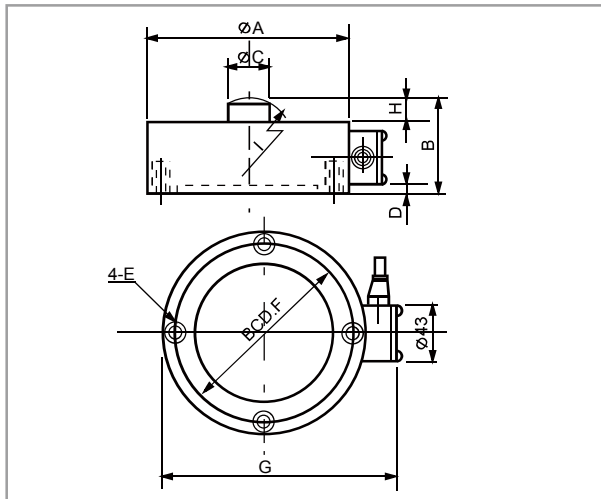
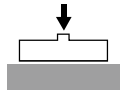
# LOW PROFILE COMPRESSIONS LOAD CELLS

MODEL

# SCL

## Feature

고강도 합금강을 사용하고 다이아프램을 용접하여 완전밀폐구조형.  
 높은 정밀도를 가진 로드셀로 용량에 비해 소형이며 높이가 낮아 설치가 간편  
 호퍼스케일 탱크스케일, 하중시험기 등 정밀도가 요구되는 시스템에 적합  
 보호등급 IP67



## Dimension (unit:mm)

Capacity	ΦA	B	ΦC	D	E	ΦF	G	H	I	Weight (kg)
500kgf	88	30	16	1.5	M6×1 DP10	70	119	5	60	1.8
1tf	98	46	22	1.5	M8×1.25 DP12	80	129	7	60	26
2tf	98	46	22	1.5	M8×1.25 DP12	80	129	7	60	26
5tf	98	46	22	1.5	M8×1.25 DP12	80	129	7	60	26
10tf	118	65	24	11	M8×1.25 DP12	98	149	7	80	3.8
20tf	157	65	34	11	M8×1.25 DP12	120	188	10	100	8
30tf	187	75	50	16	M12×1.75 DP20	150	218	10	140	14
50tf	187	75	50	16	M12×1.75 DP20	150	218	10	140	14
100tf	278	120	74	37	M12×1.75 DP20	240	309	15	160	45
200tf	320	170	100	63.5	M16×2 DP20	270	351	15	250	85
300tf	396	195	140	68.5	M16×2 DP20	330	361	15	320	180
500tf	430	200	150	68.5	M20×2.5 DP25	360	391	20	320	220

## Specification

Specification	SCL
Rated capacity (R.C)	500kgf, 1,2,5,10,20,50,100,200,300,500tf
Rated output (R.O)	2mV/V ±0.1%
Nonlinearity	0.05% of R.O.(100tf, 200tf : 0.1%)
Hysteresis	0.05% of R.O.(100tf, 200tf : 0.1%)
Repeatability	0.03% of R.O.(100tf, 200tf : 0.05%)
Zero balance	±2% R.O
Terminal resistance input	350 ±30Ω
Terminal resistance output	350 ±3Ω
Insulation resistance	2000MΩ
Temperature range, compensated	-10 ~ 60℃
Temperature range, safe	-20 ~ 80℃
Temperature effect, on zero balance	0.05% R.O./10℃
Temperature effect, on rated output	0.05% LOAD/10℃
Excitation recommended	10V
Safe overload	150% R.C
Cable length	Φ7mm, 4core, 3m