

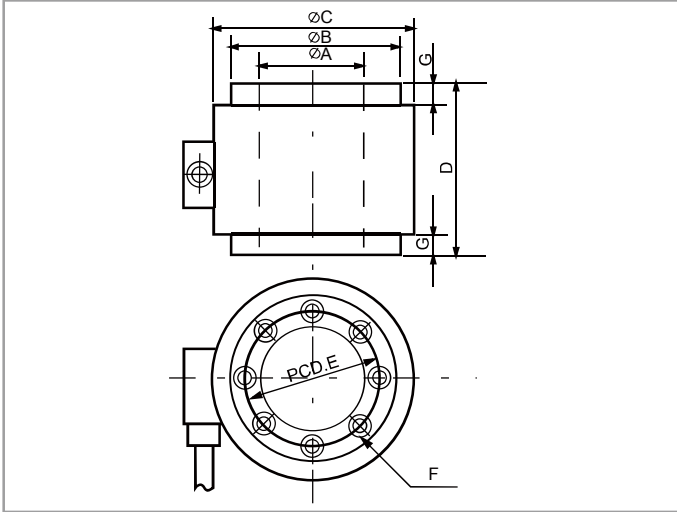
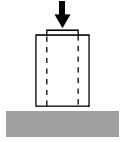
HOLLOW TYPE LOAD CELLS

MODEL

SCWH

Feature

Center Hole type 압축 로드셀로 과부하 특성이 우수하고 설치가 간편.
 프레스의 압입하중관리, 터널, 교량등의 압력측정용으로 사용 견고한 구조, 고강도 합금강사용 .
 설치조건에 따라 다양한 치수 및 용량으로 주문제작합니다 .
 보호등급 IP66



Dimension (unit:mm)

Capacity	ΦA	ΦB	ΦC	D	E	F	G	Weight(kg)
500kgf	10	24	40	50	18	2x4-M4 DP10	1	0.5
1tf	18	55	62	70	44	2x8-M5 DP10	2	1
2tf	18	55	62	70	44	2x8-M5 DP10	2	1
3td	18	55	62	70	44	2x8-M5 DP10	2	1
5tf	18	55	62	70	44	2x8-M5 DP10	2	1
10tf	18	55	62	80	44	2x8-M5 DP10	2	1.3
20tf	43	68	96	80	56	2x8-M6 DP10	3	3
50tf	80	112	130	110	96	2x6-M8 DP10	3	11
100tf	85	118	158	110	102	2x6-M12 DP10	3	13
200tf	120	162	240	120	140	2x6-M12 DP12	3	25
300tf	120	179	240	120	150	2x6-M12 DP15	3	26
500tf	150	227	265	200	190	2x12-M12 DP15	8	30

Specification

Specification	Accuracy
Rated capacity (R.C)	500kgf, 1,2,3,5,10,20,50,100,200,300tf
Rated output (R.O)	1mV/V $\pm 0.4\%$
Nonlinearity	1% of R.O.
Hysteresis	1% of R.O.
Repeatability	0.2% of R.O.
Zero balance	$\pm 2\%$ R.O
Terminal resistance input	350 $\pm 50\Omega$
Terminal resistance output	350 $\pm 2\Omega$
Insulation resistance	2000M Ω
Temperature range, compensated	-10 ~ 60 $^{\circ}\text{C}$
Temperature range, safe	-20 ~ 80 $^{\circ}\text{C}$
Temperature effect, on zero balance	0.1% R.O./10 $^{\circ}\text{C}$
Temperature effect, on rated output	0.05% LOAD/10 $^{\circ}\text{C}$
Excitation recommended	10V
Safe overload	150% R.C
Cable length	$\Phi 7\text{mm}$, 4core, 3m