

MULTI COMPONENT LOAD CELLS

MODEL

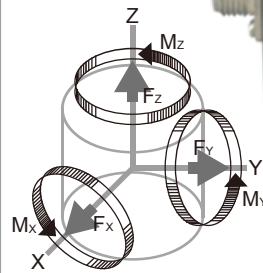
SMC15

Feature

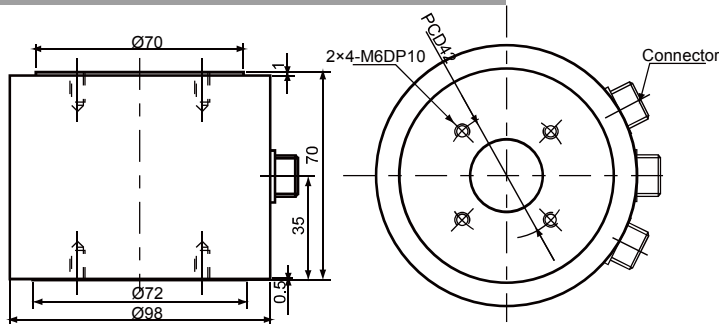
Fx, Fy, Fz 세방향의 포스와 Mx, My, Mz 세방향의 토크를 동시에 측정가능한 6 분력 로드셀 2 축부터, 6 축까지 다양한 방향의 포스와 모멘트의 측정이 가능
설치 여건에 따라서 표준품 이외의 다양한 제품을 주문 제작

Specification

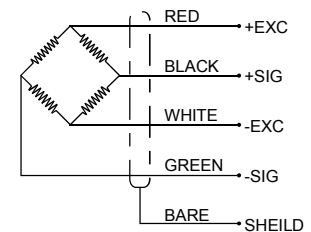
Rated output (R.O)	1.0mV/V
Nonlinearity	0.5% of R.O.
Hysteresis	0.5% of R.O.
Repeatability	0.3% of R.O.
Terminal resistance	350 ±3.5Ω
Insulation resistance bridge/case	2000MΩ
Temperature effect, on zero balance	0.03% R.O./10°C
Temperature effect, on rated output	0.03% LOAD/10°C
Excitation recommended	10V
Safe overload	120% R.C
Cable length	Φ3, 4core shield, 3m



Dimension



Wiring information



Rated Capacity (Force:N, Moment:N-m)

MODEL		Rated Capacity						
		Fx	Fy	Fz	Mx	My	Mz	
2-Component loadcells	SMC15-2A	10	10	10	(30)	(2)	(2)	(2)
		20	20	20	(50)	(5)	(5)	(5)
		50	50	50	(100)	(10)	(10)	(10)
		100	100	100	(200)	(20)	(20)	(20)
		200	200	200	(500)	(50)	(50)	(50)
	500	500	500	(750)	(100)	(100)	(100)	
	SMC15-2B	10	10	(30)	10	(2)	(2)	(2)
		20	20	(50)	20	(5)	(5)	(5)
		50	50	(100)	50	(10)	(10)	(10)
		100	100	(200)	100	(20)	(20)	(20)
200		200	(500)	200	(50)	(50)	(50)	
3-Component loadcells	SMC15-3A	10	10	10	10	(2)	(2)	(2)
		20	20	20	20	(5)	(5)	(5)
		50	50	50	50	(10)	(10)	(10)
		100	100	100	100	(20)	(20)	(20)
		200	200	200	200	(50)	(50)	(50)
	500	500	500	500	(100)	(100)	(100)	
	SMC15-3B	10	10	10	(2)	(2)	(2)	1
		20	20	20	(5)	(5)	(5)	2
		50	50	50	(10)	(10)	(10)	5
		100	100	100	(20)	(20)	(20)	10
200		200	200	(50)	(50)	(50)	20	
SMC15-3C	10	10	(30)	10	(2)	1	(2)	
	20	20	(50)	20	(5)	2	(5)	
	50	50	(100)	50	(10)	5	(10)	
	100	100	(200)	100	(20)	10	(20)	
	200	200	(500)	200	(50)	20	(50)	
500	500	(750)	500	(100)	50	(100)		