

CABLE SENSOR

MODEL

CTP

Feature

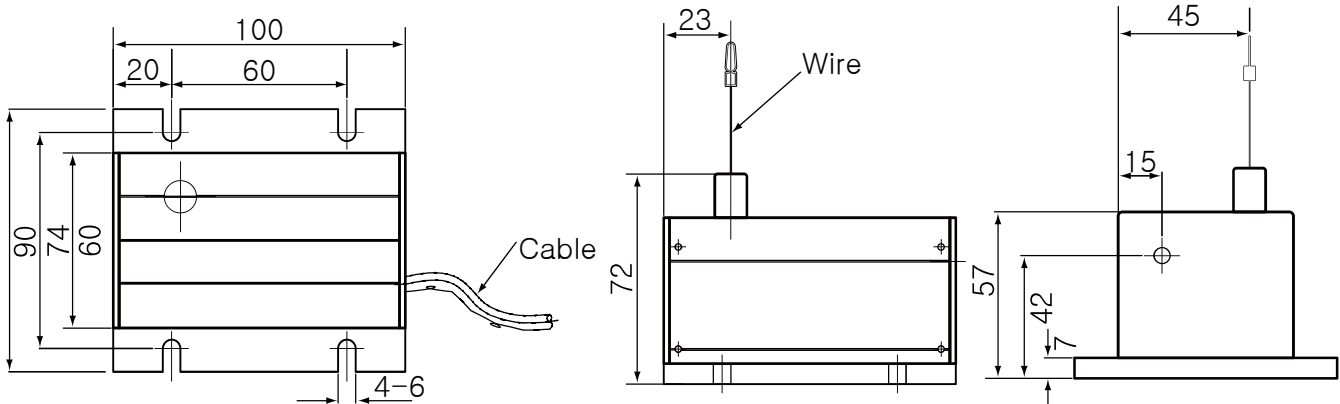
- Wire를 이용한 이동거리, 위치, 수위측정
- 각종설비 및 구조물의 위치 제어에 폭넓게 적용
- Potentiometer Output

Specification

Full stroke Range	1M
Output signal	voltage divider (Potentiometer)
Accuracy	±0.25% full stroke
Repeatability	±0.02% full stroke
Measuring cable	Ø0.45 stainless steel
Power supply	5V, 12V, 24V, DC +5 ~ +24V
Resistance range	100Ω ~ 100kΩ
Min.practical independent linearity	±0.15%, <300Ω, ±0.075%, ≥300Ω
Dielectric strength	1,000V rms
Min.insulation resistance	1000MΩ
Maximun noise	100Ω
Max.end voltage	0.25% of input voltage



Dimension



Option cable travel : CT-1

Option cable travel : CT-2

