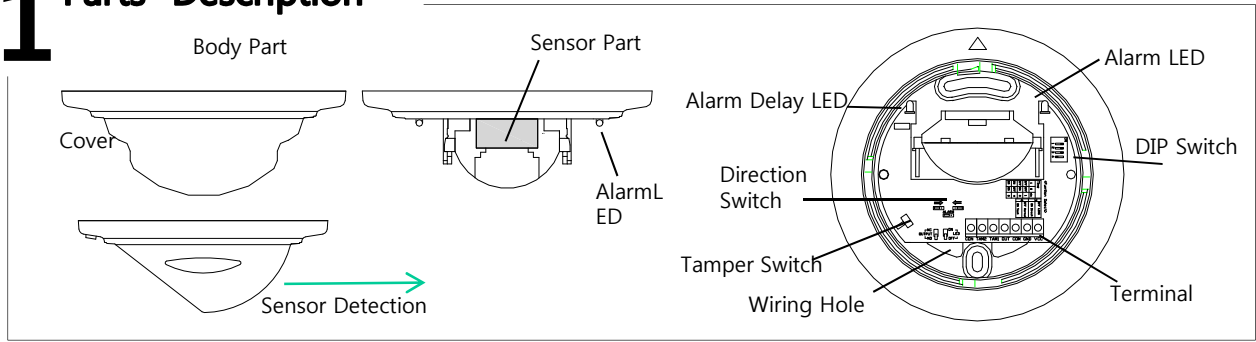
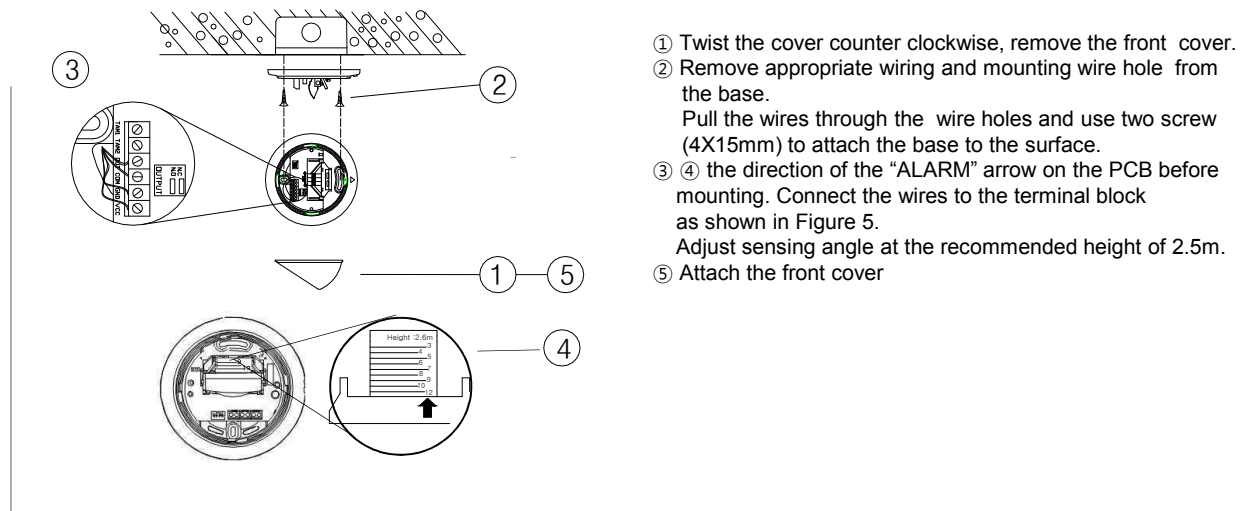


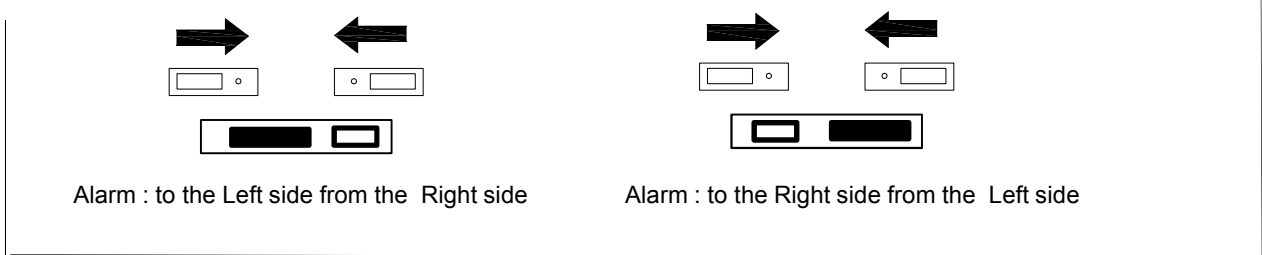
## 1 Parts Description



## 2 Installation Instructions



## 3 Direction Mode



## 4 Operation & Adjustment

Factory mode"

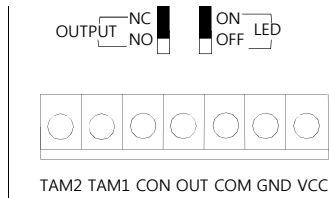
	1	2	3	4
	Alarm delay time in direction mode (Bypass)		Function mode	Operation Mode
ON	ON	ON = 4 min.	Direction mode	Test mode
	ON	OFF = 2 min.		Arm mode
OFF	OFF	ON = 1 min.	Long range mode	
	OFF	OFF = 5 sec.		

TEST

ON : Direction mode OFF : General PIR motion mode (Long range type)

Alarm delay time (5sec./1,2,5 min.) , factory mode 5 sec.

## 5 Terminal & Wiring



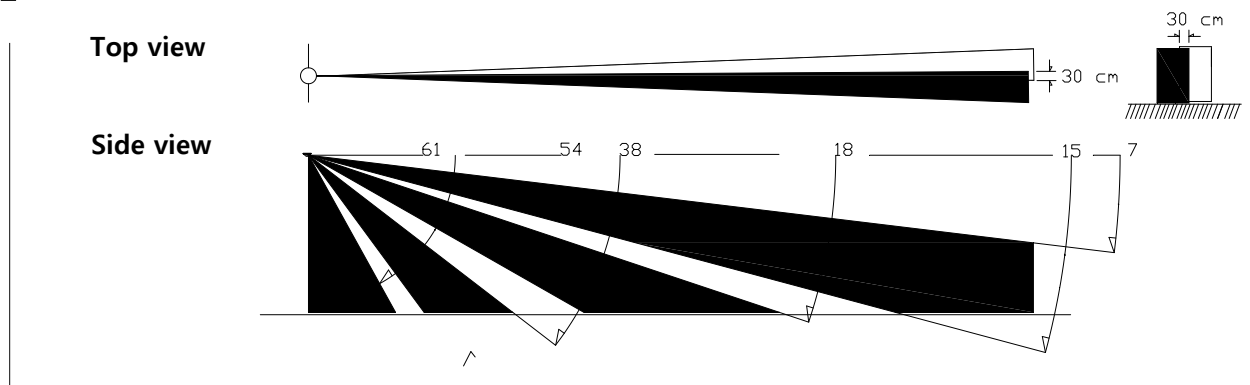
	OUTPUT	LED
Factory mode	Arm mode : both	Arm mode : turn off
	Alarm mode : one	Alarm mode : turn on
Factory mode	Arm mode : one	Arm mode : turn off
	Alarm mode : both	Alarm mode : turn off

Terminal	Spec.	Remarks
VCC	+12V	Non-polarity
GND	0V	
COM	COMMON	"OUTPUT" by Jumper pin
OUT	NC or NO	
CON	ENTRY ZONE BYPASS	Option
TAM1	TAMPER	
TAM2	TAMPER	

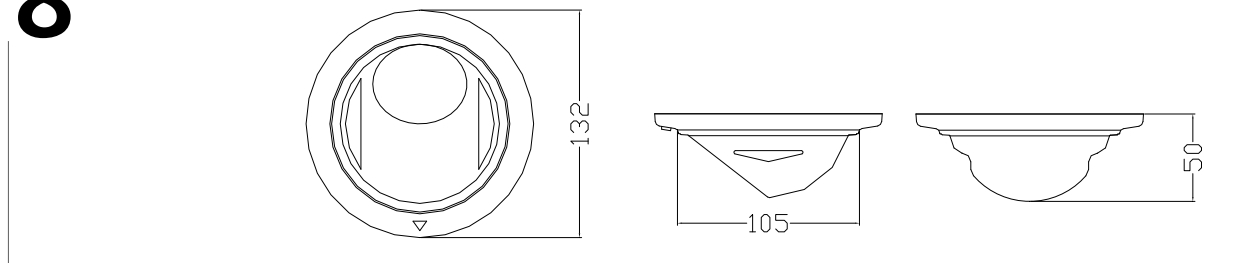
## 6 Specifications

Item	Specifications		
Operating mode	Direction mode & Long range mode		
Detection range	<b>12m</b>		
Current draw	DC 10 ~ 24V ( 22 mA )		
Zone	16 zones		
Installation Height	1.8 ~ 3.0 m (Standard height : 2.5 m)		
Detection speed	Min. 0.2m/s max. 4.0 m/s		
Alarm output	1 A (DC 30V ), within 2 Sec.,		
LED DISPLAY	Direction mode Arm mode / Test mode	Long range mode	
	Green LED	Alarm delay time/ left zone detected	-
	Red LED	Alarm / right zone detected	Alarm
Temperature	-20°C ~ + 60°C (Hum. 95%)		
Size & weight	Ø 132 X H 50mm / Approx. 90 g		

## 7 Detection Pattern



## 8 Dimension



•Caution : Please consult the instruction manual to ensure safe and proper operation of the product. Specification and design are subject to change without prior notice for improvement. FAQ & Inquiry : [sensorpro@sensorpro.co.kr](mailto:sensorpro@sensorpro.co.kr)