

Model PTD

General Purpose Pressure Transducer

Description

PTD model has applied Silicon Piezoresistive cell, which attached High Temperature Glass on Titanium. Since it does not use O-ring, there is no possibility of corrosion and leak. Its low price makes it suitable for industrial uses. With its various outputs, it may be interfaced with various controllers.

Features

- ▶ CE Certified
- ▶ Built-in amplifier Circuit(VDC, mA)
- ▶ Measuring range -0.1 ~ 150MPa
- ▶ 0.5%FS accuracy
- ▶ Piezoresistive silicon cell
- ▶ Stainless steel, Titanium media-wetted materials

Applications

- ▶ Process control
- ▶ Hydraulics & Pneumatic
- ▶ Compressor Control
- ▶ Chillers
- ▶ Refrigeration Equipment



Specifications

Range

0 ~ 100kPa ... 150MPa (Gauge)
-100kPa ~ 0 ~ 100kPa ... 150MPa (Gauge)

Performance

Accuracy	±0.5%FS(RSS)
Thermal Effect on Zero	±0.05%FS/°C (≤200kPa : ±0.1%FS/°C)
Thermal Effect on Span	±0.05%FS/°C (≤200kPa : ±0.1%FS/°C)
Compensated Temperature Range	-10 ~ 70°C
Operating Temperature Range	-20 ~ 80°C(Optional -20~100°C)

Electrical

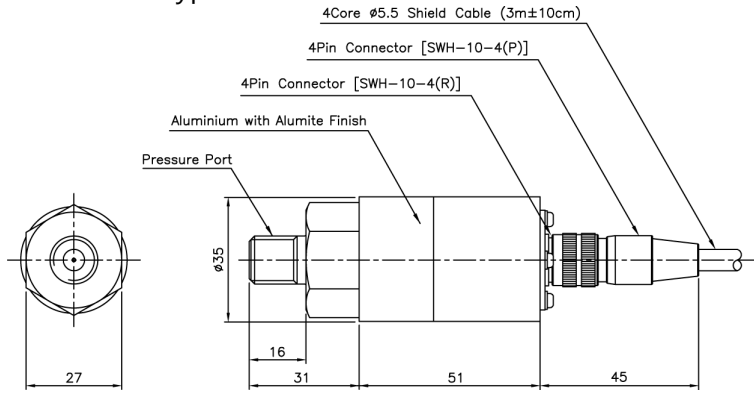
Excitation	11 ~ 28VDC
Output	0~5VDC, 1~5VDC, 0~10VDC, 4~20mA(2Wire)
Electrical Connection	Connector, Head, Din Connector

Physical

Proof Pressure	X1.5 or 150MPa, Whichever is less.
Burst Pressure	X2 or 150MPa, Whichever is less.
Vibration	49.1m/s ² {5G}, 10~500Hz
Shock	490m/s ² {50G}
Pressure Port	R(PT)1/8", G(PF)1/8", R(PT)1/4"(Stock), G(PF)1/4", R(PT)3/8"(Stock), G(PF)3/8"
Media-Wetted Materials	Stainless Steel 304 + Titanium 87% or Titanium 87%
Weight	Connector type : Approx. 140g (Sensor Only)

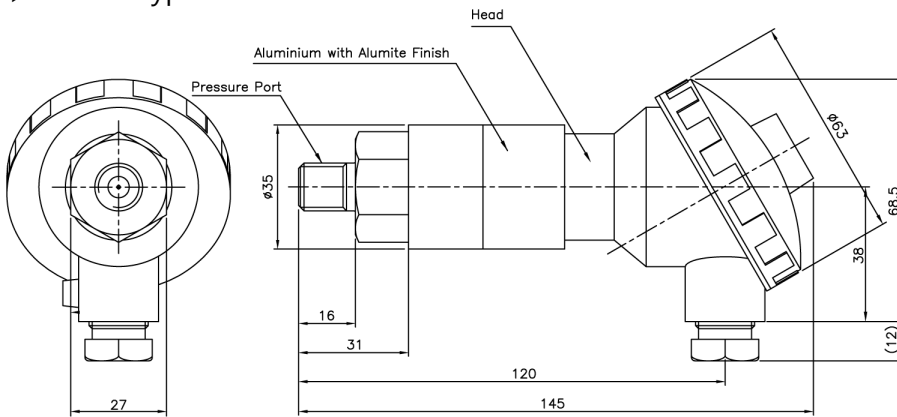
Dimension

► Connector Type



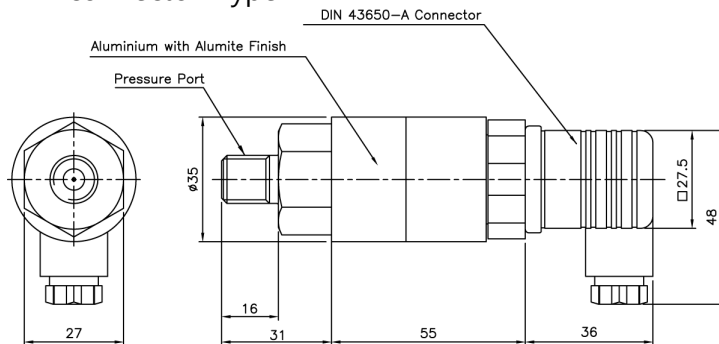
Pin No.	Wire Color	Connections		
		4Wire	3Wire	2Wire
1	Red	Input ⊕	Input ⊕	Input ⊕
2	White	Output ⊖	Common ⊖	×
3	Black	Input ⊖	×	Output ⊕
4	Green	Output ⊕	Output ⊕	×
5	Shield	Earth	Earth	Earth

► Head Type



No.	Connections
	2Wire
1	Input ⊕
2	Earth
3	Output ⊕

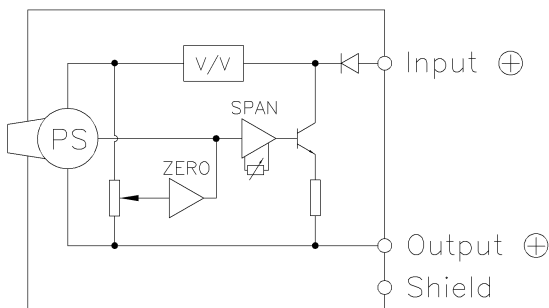
► Din connector Type



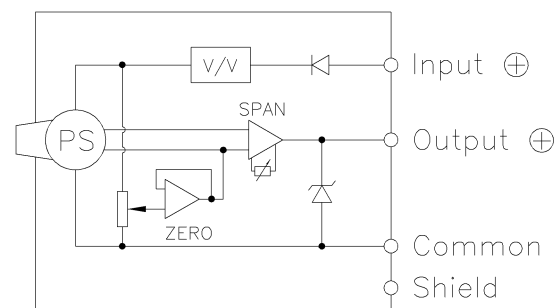
Pin No.	Connections	
	3Wire	2Wire
1	Input ⊕	Input ⊕
2	Common ⊖	Output ⊕
3	Output ⊕	×
⊕	Earth	Earth

Internal Circuit Diagram

► 2Wire mA Output Type



► 3, 4Wire VDC Output Type



Ordering Information

PTD		B	0100	R	A	P	A	-	TI
Model Name									
Output									
B : 4Wire 0~5V	H : 2Wire 4~20mA								
C : 3Wire 0~5V	J : 3Wire 0~10V								
D : 4Wire 1~5V	K : 4Wire 0~10V								
E : 3Wire 1~5V									
Pressure Range									
XXXX : Pressure									
CXXX : Compound Pressure									
Pressure Unit									
R : kPa	M : MPa								
B : bar	K : kgf/cm ²								
P : psi	H : mmHg								
									Media-Wetted Materials
									None : SS304, Ti 87%
									TI : Ti 87%
									Option
									A : Normal
									B : Temperature Range -20~100°C
									Connecting Methods
									P : Connector
									W : Water Proof Connector(IP67)
									H : Head
									I : Din 43650-A connector
									Pressure port
									A : R(PT)3/8" D : G(PF)1/4"
									B : G(PF)3/8" E : R(PT)1/2"
									C : R(PT)1/4" Q : G(PF)1/2"