

Model PSI

Zero, Span Adjustable Low Pressure Transducer

Description

PSI sensing element is suitable for low pressure measurement below 1MPa by applying the piezoresistive cells. It is applied to non-corrosion gas measurement such as the air, gas at a low cost.

Features

- ▶ Built-in amplifier circuit(VDC, mA)
- ▶ Measuring range -100~1000kPa
- ▶ 0.5%FS accuracy
- ▶ Piezoresistive silicon cell
- ▶ Zero, Span Adjustable
- ▶ Use with non-corrosive, non-ionic media

Applications

- ▶ Gas leak detection
- ▶ Gas monitoring
- ▶ Gas & Air process control
- ▶ Vacuum system



Specifications

Range

0 ~ 10 ... 1000kPa (Gauge)
-100 ~ 0, 10 ... 1000kPa (Gauge)

Performance

Accuracy	±0.5%FS(RSS)
Thermal Effect on Zero	±0.06%FS/°C
Thermal Effect on Span	±0.06%FS/°C
Compensated Temperature Range	-10 ~ 70°C
Operating Temperature Range	-20 ~ 80°C

Electrical

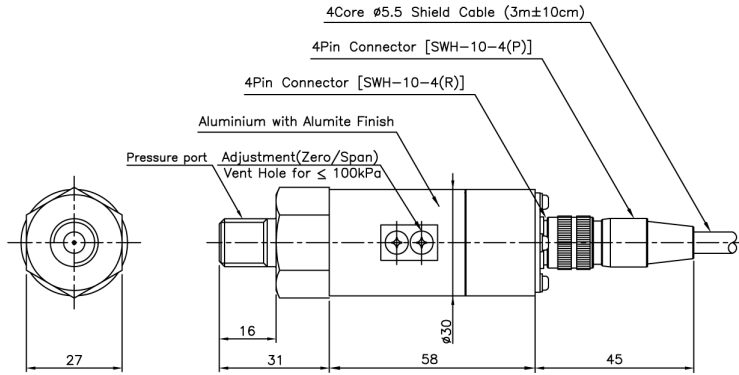
Excitation	11 ~ 28VDC
Output	0~5, 1~5, 0~10VDC, 4~20mA(2, 3Wire)
Electrical Connection	Connector, Cable, Head, DIN Connector

Physical

Proof Pressure	150%FS Max.
Burst Pressure	200%FS Min.
Vibration	49.1m/s ² {5G}, 10~500Hz
Shock	490m/s ² {50G}
Pressure port	R(PT)1/8", G(PF)1/8", R(PT)1/4", G(PF)1/4", R(PT)3/8", G(PF)3/8"
Media-Wetted Materials	Stainless Steel 303, SiO ₂ , VITON
Weight	Connector type : Approx. 110g (Sensor Only)

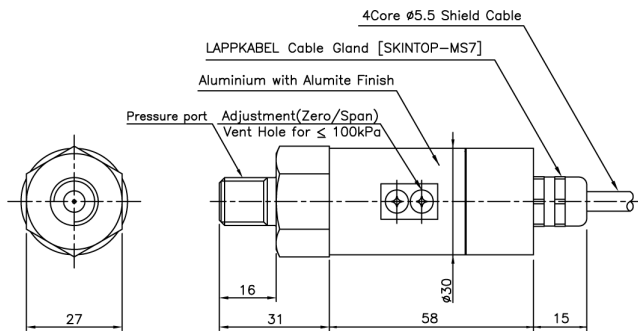
Dimension

► Connector Type



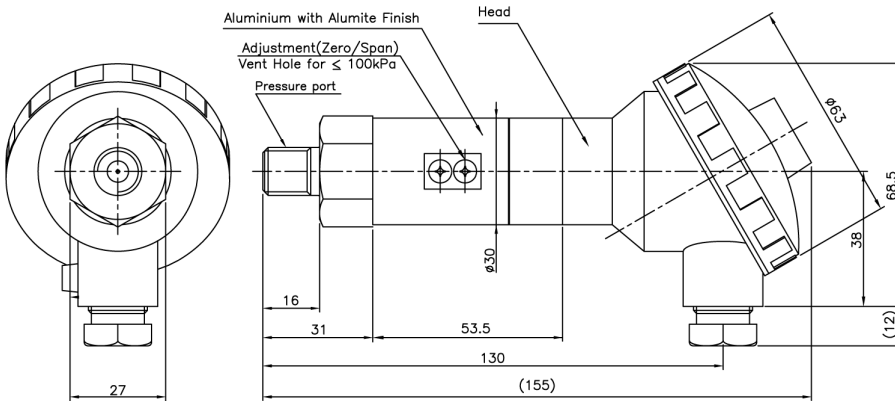
Pin No.	Wire Color	Connections		
		4Wire	3Wire	2Wire
1	Red	Input ⊕	Input ⊕	Input ⊕
2	White	Output ⊖	Common ⊖	×
3	Black	Input ⊖	×	Output ⊕
4	Green	Output ⊕	Output ⊕	×
5	Shield	Earth	Earth	Earth

► Cable Gland Type



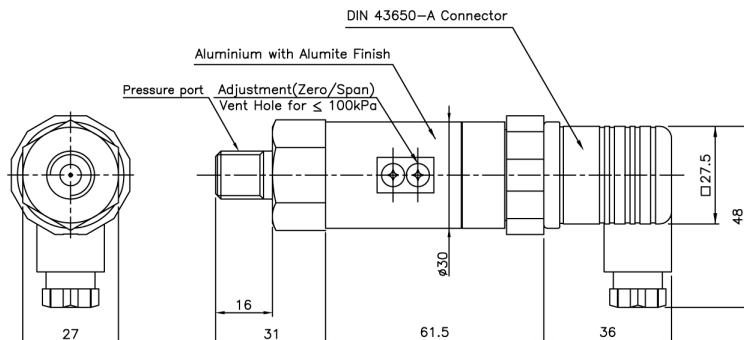
Wire Color	Connections		
	4Wire	3Wire	2Wire
Red	Input ⊕	Input ⊕	Input ⊕
White	Output ⊖	Common ⊖	×
Black	Input ⊖	×	Output ⊕
Green	Output ⊕	Output ⊕	×
Shield	Earth	Earth	Earth

► Head Type



No.	Connections
	2Wire
+	Input ⊕
⊕	Earth
-	Output ⊕

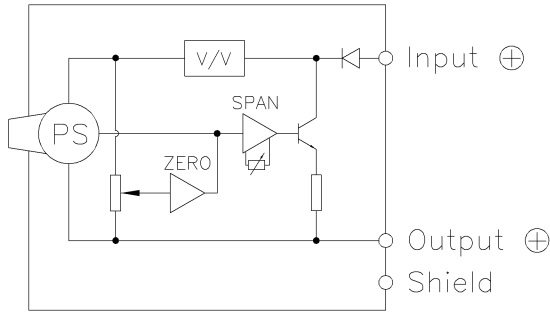
► Din Connector Type



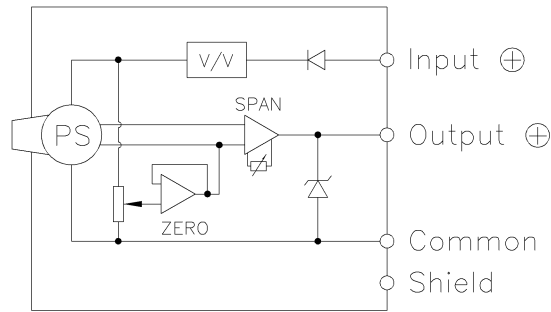
Pin No.	Connections	
	3Wire	2Wire
1	Input ⊕	Input ⊕
2	Common ⊖	Output ⊕
3	Output ⊕	×
⊕	Earth	Earth

Internal Circuit Diagram

▶ 2Wire mA Output Type



▶ 3, 4Wire mA, VDC Output Type



Ordering Information

Model Name		PSI	E	0010	R	A	P	A	Option
Output									
B : 4Wire 0~5V	G : 3Wire 4~20mA								
C : 3Wire 0~5V	H : 2Wire 4~20mA								
D : 4Wire 1~5V	J : 3Wire 0~10V								
E : 3Wire 1~5V	K : 4Wire 0~10V								
F : 4Wire 4~20mA									
Pressure Range									
XXXX : Pressure									
CXXX : Compound Pressure									
Connecting Methods									
P : Connector									
S : Cable Gland									
H : Head									
I : Din Connector									
Pressure port									
A : R(PT)3/8"		D : G(PF)1/4"							
B : G(PF)3/8"		G : R(PT)1/8"							
C : R(PT)1/4"		H : G(PF)1/8"							
Pressure Unit									
R : kPa		M : MPa							
B : bar		K : kgf/cm ²							
P : psi		H : mmHg							