

Model SIG

Explosion Proofed Pressure Transmitter with Local Indication

Description

SIG model, has Explosion Proof(Ex d IIC T6) and water-proof(IP67) is ideal for a danger area and at the place is required to be waterproofed. With 4-1/2 Digit Backlight LCD, it can not only display up to ± 19999 but also is visible from the dark place. Its functions, Analog output, Relay output and RS-485 communication, Pressure Unit convertor and Scale adjustment can be utilized with a variety of controller.

Features

- ▶ CE Certified
- ▶ Explosion proof approval to Ex d IIC T6, IP67
- ▶ 4 1/2 digit Backlight LCD display
- ▶ Built-in amplifier circuit(VDC, mA)
- ▶ Optional 2-channel Relay output
- ▶ Optional RS485 output
- ▶ Measuring range $-0.1\sim 150\text{MPa}$
- ▶ 0.2 / 0.5%FS accuracy

Applications

- ▶ Process control & monitoring
- ▶ Hydraulics & Pneumatic
- ▶ Chemical & Petrochemical
- ▶ Liquid level measurement
- ▶ Food & Pharmaceutical
- ▶ Gas transmission pipe-line
- ▶ Plant utilities monitoring



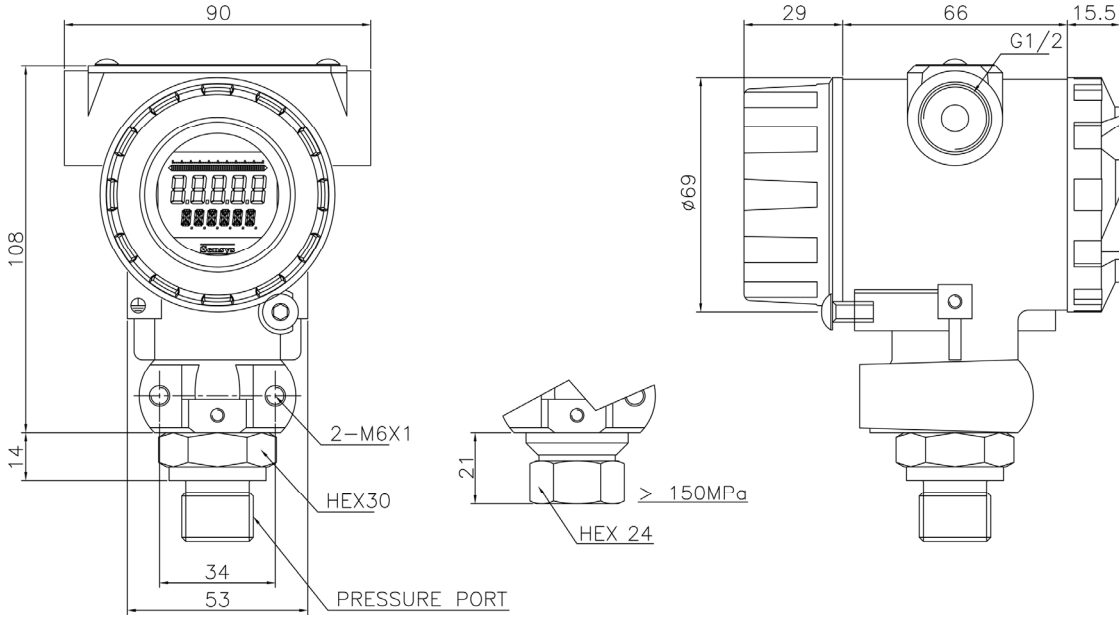
Specifications

	2Wire Output		3Wire Output	
Range	0~5kPa ... 70MPa(Gauge) -100kPa~0 ... 70MPa(Gauge) 0~35kPa ... 70MPa(Absolute)	0~71 ... 500MPa(Gauge)	0~5kPa ... 70MPa(Gauge) -100kPa~0 ... 70MPa(Gauge) 0~35kPa ... 70MPa(Absolute)	0~71 ... 500MPa(Gauge)
Performance				
Accuracy	$\pm 0.2\%FS \pm 1\text{digit}$	$\pm 0.5\%FS \pm 1\text{digit}$	$\pm 0.2\%FS \pm 1\text{digit}$	$\pm 0.5\%FS \pm 1\text{digit}$
Thermal Effect on Zero	$\pm 0.03\%FS / ^\circ C$	$\pm 0.05\%FS / ^\circ C$	$\pm 0.03\%FS / ^\circ C$	$\pm 0.05\%FS / ^\circ C$
Thermal Effect on Span	$\pm 0.03\%FS / ^\circ C$	$\pm 0.05\%FS / ^\circ C$	$\pm 0.03\%FS / ^\circ C$	$\pm 0.05\%FS / ^\circ C$
Ambient Temperature Range		-20~60°C		
Process Temperature Range		-40~120°C		
Electrical				
Display		$\pm 19999(4\ 1/2)$ Backlight LCD		
Excitation		11~28VDC		17~28VDC
Output				
Analog		4~20mA(2Wire)		4~20mA(3Wire), 0~5V, 1~5V, 0~10V
Switching(Optional)		-		2Ch Relay(3A 30VDC / 3A 250VAC)
Digital(Optional)		-		RS485
Response Time				0.1~1sec
Electrical Connection				G(PF) 1/2"
Physical				
Proof Pressure	X3 or 140MPa ¹⁾	$\leq 150\text{MPa} : X1.5$ or 150MPa ¹⁾ $> 150\text{MPa} : X1.5$ or 500MPa ¹⁾	X3 or 140MPa ¹⁾	$\leq 150\text{MPa} : X1.5$ or 150MPa ¹⁾ $> 150\text{MPa} : X1.5$ or 500MPa ¹⁾
Burst Pressure	X4 or 210MPa ¹⁾	$\leq 150\text{MPa} : X2$ or 150MPa ¹⁾ $> 150\text{MPa} : X2$ or 600MPa ¹⁾	X4 or 210MPa ¹⁾	$\leq 150\text{MPa} : X2$ or 150MPa ¹⁾ $> 150\text{MPa} : X2$ or 600MPa ¹⁾
Vibration		49.1m/s ² {5G}, 10~500Hz		
Shock		490m/s ² {50G}		
Pressure Port	R1/4", G1/4", R3/8", G3/8", R1/2", G1/2", 9/16UNF Female(Only >1500bar), Flange & Other Connection Available on Request			
Media-Wetted Materials	SS316L, VITON	SS316L, Ti 87%	SS316L, VITON	SS316L, Ti 87%
Explosion Proof		Ex d IIC T6, IP67		
Protection		IP67		
Weight		Approx. 1kg		

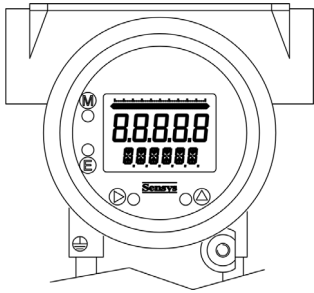
¹⁾ Whichever is less.

Dimension

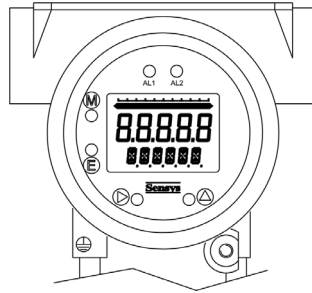
▶ Out Dimension



▶ Front Panel

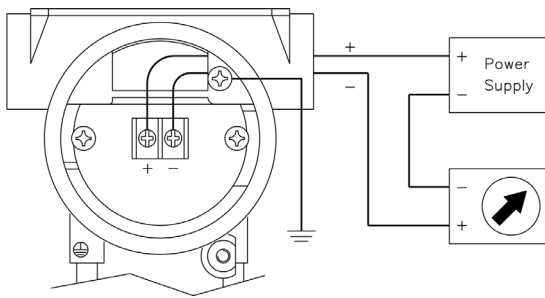


Non Switching Output Type

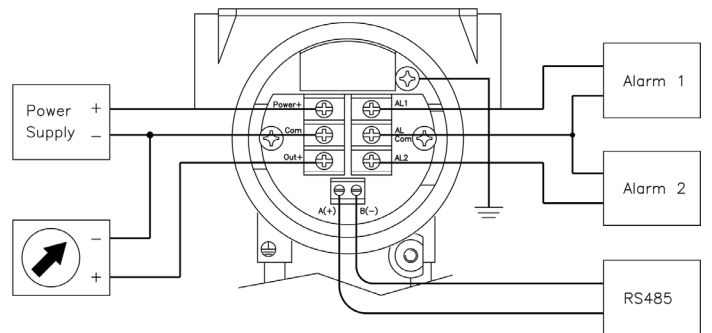


Switching Output Type

▶ Connection

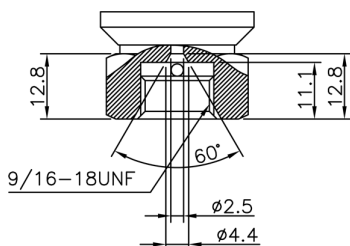


2Wire Output Type



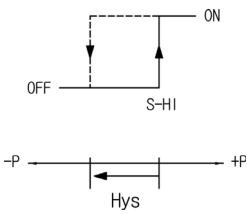
3Wire Output(Option : Switching Output, RS485)

▶ Pressure Port(>1500bar)

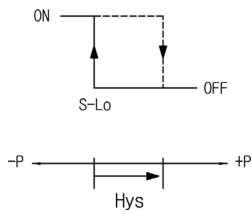


Alarm Mode

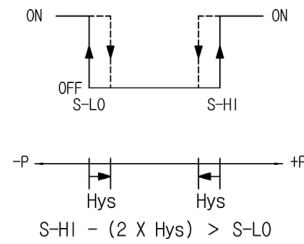
▶ Hi Mode



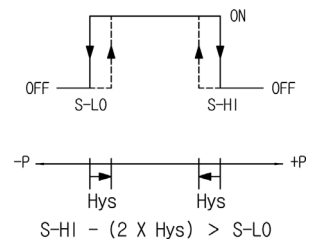
▶ Low Mode



▶ A Mode



▶ B Mode



Ordering Information

SIG H A 0100 R A G	
Model Name	Type of Pressure Measurement
Analog Output	G : Gauge J : Absolute
C : 0~5V E : 1~5V G : 4~20mA(3Wire) H : 4~20mA(2Wire) J : 0~10V	Pressure port
Switching & Digital Output	A : R(PT)3/8" B : G(PF)3/8" C : R(PT)1/4" D : G(PF)1/4" E : R(PT)1/2" Q : G(PF)1/2" K : 9/16-18 UNF(F) (Only >1500bar) *. Flange & Other Connection Available on Request
A : None B : 2-Ch. Relay C : RS485 D : 2-Ch. Relay, RS485	Pressure Unit
Pressure Range	R : kPa M : MPa B : bar K : kgf/cm ² P : psi H : mmHg C : cmH ₂ O
XXXX : Pressure CXXX : Compound Pressure	

Sensys

SENSOR SYSTEM TECHNOLOGY CO., LTD.

ADD : RM5010, Ansan Digital Park, 1123 Singil-Dong,
Danwon-Gu, Ansan-Si, Gyeonggi-Do, Korea

TEL : 82-31-310-8910~9

FAX : 82-31-310-8920

http://www.sensys.co.kr

e-mail : master@sensys.co.kr

· Specifications are subject to change without notice.

Copyright © 2016 SENSOR SYSTEM TECHNOLOGY CO., LTD.(20161118)