

# Model DPM

48mm X 24mm Panel Mounting  
Differential Low Pressure Gauge / Switch

## Description

DPM model is ideal for the application (such as HVAC) with differential pressure, vacuum pressure, gauge pressure and especially low pressure of non-corrosive gases or air measured. Device for Low Pressure Gauge / Switch, which is using MICOM, improved Accuracy. In order to reduce to the time assembling, may use e-CON Connector.

## Features




- ▶ CE Certified
- ▶ 3-1/2 digit LED display
- ▶ 48mm X 24mm Panel Mounting Type
- ▶ e-CON Connector
- ▶ Auto Zero
- ▶ 2Ch NPN Open Collector Alarm output
- ▶ 1~5VDC or 4~20mA analog output(Adjustable Pressure Range)
- ▶ Measuring range 0~300..10kPa diff.
- ▶ 0.5~1.5%FS accuracy
- ▶ Piezoresistive silicon cell
- ▶ Use with non-corrosive, non-ionic media



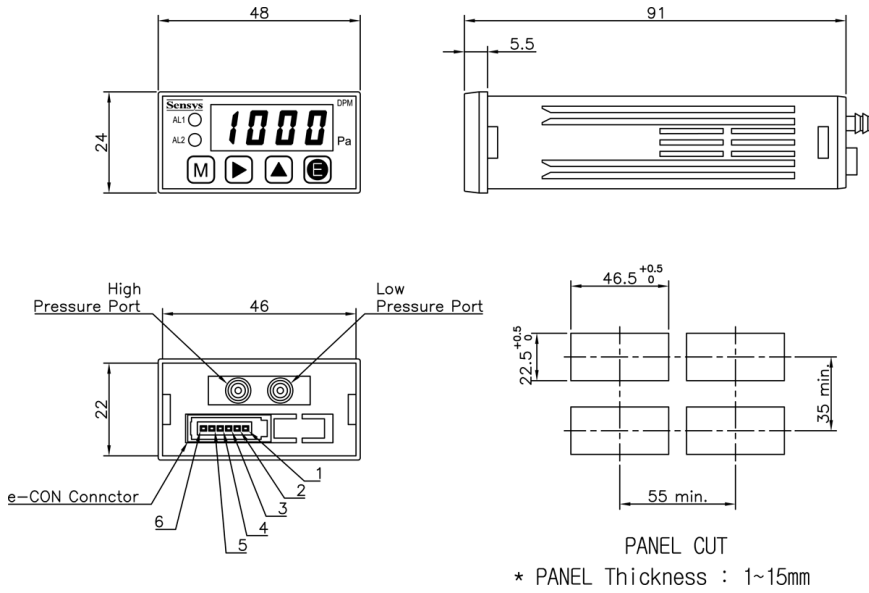
## Applications

- ▶ Airflow Measurement
- ▶ Room Static Pressure
- ▶ VAV Box
- ▶ Lab/Fume Hood Control
- ▶ Clean Room Control

## Specifications

	DPM  / 	DPM 
<b>Range</b>	0~300, 500, 750Pa 0~1, 2, 3, 5, 10kPa ±300, ±500, ±750Pa, ±1, ±2, ±3, ±5, ±10kPa	
<b>Performance</b>		
Accuracy	±0.5%FS±1digit(≥1000Pa), ±1%FS±1digit(500, 750Pa), ±1.5%FS±1digit(300Pa)	
Thermal Effect on Zero	±0.15%FS/°C(≥750Pa), ±0.2%FS/°C(500Pa), ±0.3%FS/°C(300Pa)	
Thermal Effect on Span	±0.15%FS/°C(≥750Pa), ±0.2%FS/°C(500Pa), ±0.3%FS/°C(300Pa)	
Compensated Temperature Range	0 ~ 50°C	
Operating Temperature Range	-10 ~ 70°C	
<b>Electrical</b>		
Display	3-1/2 Digit LED	
Excitation	12~24VDC±10%	
Output		
Switching Signal	NPN Open Collector TR(80mA, 24VDC)	-
Analog Signal	1~5VDC or 0~10VDC or 4~20mA (Adjustable Pressure Range)	-
Electrical Connection	Tyco Electronics AMP 6Pin e-CON Connector(Plug Connector not Include)	
<b>Physical</b>		
Proof Pressure	300%FS Max.	
Burst Pressure	500%FS Min.	
Pressure Port	1/8" Nipple	
Media-Wetted Materials	Brass(Ni plated), SiO <sub>2</sub> , Si Rubber	

## Dimension



### ► Analog / Alarm Output Type

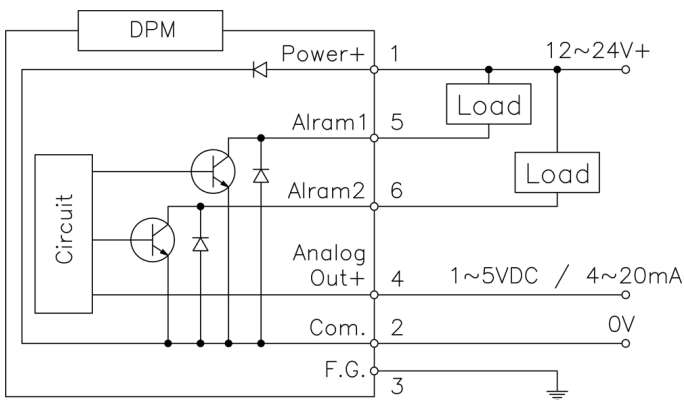
Pin No.	Connections
1	Power+(12~24VDC)
2	Com.
3	F.G.
4	Analog output+
5	Alarm 1
6	Alarm 2

### ► Only Display Type

Pin No.	Connections
1	Power+(12~24VDC)
2	Com.
3	F.G.
4	N/A
5	N/A
6	N/A

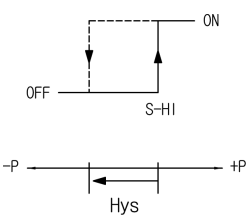
## Circuit Diagram

### ► NPN Open Collector Tr. Output

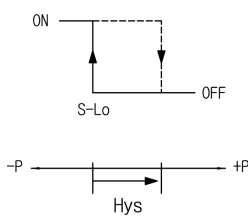


## Alarm Mode

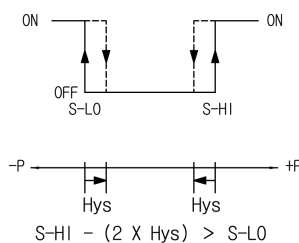
### ► Hi Mode



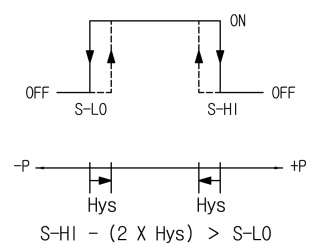
### ► Low Mode



### ► A Mode



### ► B Mode



## e-CON Plug Connector

You can choose Tyco Electronics AMP Co, RITS Plug Connector as below table

P/N	Hold Housing Color	Cable / Wire	
		Cross-Section Areas	Diameter of Insulation
3-1473562-6	Orange	0.08~0.25mm <sup>2</sup>	0.60~0.90mm
1-1473562-6	Red	0.1~0.5mm <sup>2</sup>	0.90~1.00mm
1473562-6	Yellow		1.00~1.15mm
2-1473562-6	Blue		1.15~1.35mm
4-1473562-6	Green	0.2~0.6mm <sup>2</sup>	1.35~1.60mm

## Ordering Information

**DPM G 0500 A**

**Model Name**

**Analog Output**

E : 1~5V, 2Ch NPN Open Collector TR.  
 J : 0~10V, 2CH NPN Open Collector TR.  
 G : 4~20mA, 2Ch NPN Open Collector TR.  
 0 : N/A

**Pressure Unit**

A : Pa  
 R : kPa  
 D : mmH<sub>2</sub>O

**Pressure Range**

XXXX : 0~Range  
 CXXX : ±Range

**Sensys** SENSOR SYSTEM TECHNOLOGY CO., LTD.

ADD : Rm.5010, Ansan Digital Park, 81, Neungan-ro,  
 Danwon-gu, Ansan-si, Gyeonggi-do, Korea.  
 TEL : 82-31-310-8910~9  
 FAX : 82-31-310-8920  
 http://www.sensys.co.kr  
 e-mail : master@sensys.co.kr

· Specifications are subject to change without notice.